

FWA-3050

Remote Manageable 1U Network Appliance for uCPE/SD-WAN and NGFW base on Intel® Xeon D-2100 Series Processor

NEW



Features

- Powered by single Intel® Xeon D-2100 series processor up to 16C/32T with optional Intel® QAT and DPDK to boost performance
- Short-depth chassis design with optional tool-less slide rail or 2post mounting kit fits in any service provider or enterprise edge
- Upgradable with interface for Advance-LTE/5G, WiFi5/6, PoE or 1G/10G/25G/40GbE ports expansion cards
- Advantech inhouse design IP for out-of-band management or diagnostics software
- Validated by Intel® Select Solutions for uCPE and leading NFVi software solution

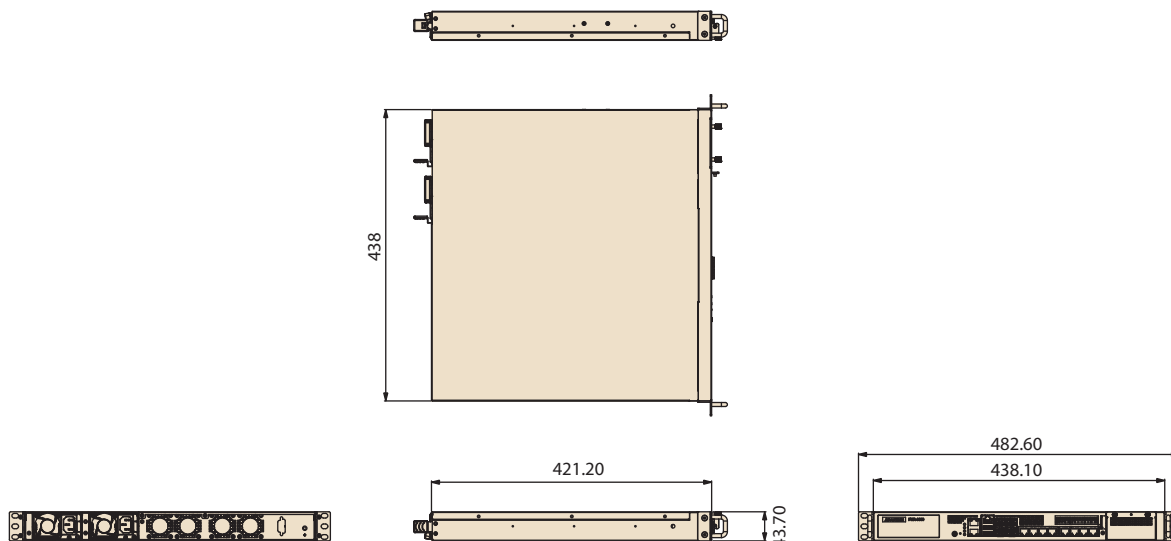


Specifications

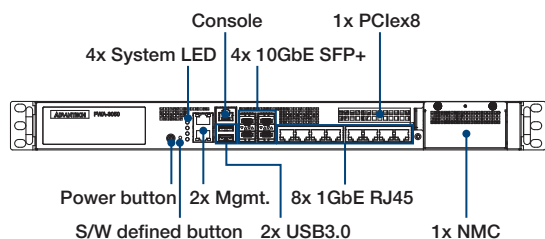
| System P/N | | FWA-3050-8CA1R | FWA-3050-14A1R | FWA-3050L-16A1R |
|------------------------|--|--|---|----------------------|
| Form Factor | | 1U Rackmount | | |
| Processor System | Processor | Intel® Xeon D-2145NT | Intel® Xeon D-2177NT | Intel® Xeon D-2183IT |
| | Core Count | 8C/16T | 14C/28T | 16C/32T |
| | Frequency | 1.9GHz | 1.9GHz | 2.2GHz |
| | L2 Cache | 11MB | 19MB | 22MB |
| | BIOS | AMI Efii 64Mbit | | |
| Virtualization | | VT-x, VT-d, EPT | | |
| Memory | Technology | DDR4, Up to 2666MHz | | |
| | Max.Capacity | 256GB RDIMM/512GB LRDIMM | | |
| | Socket | 4 x 288-pin RDIMM | | |
| | ECC Support | Yes | | |
| Networking | Controller | 1 x Intel X722, 2 x Intel i350, 2 x Intel i210 | | |
| | 1GbE | 4 x 10/100/1000 Mbps RJ45 via Intel i350-AM4, 4 x 10/100/1000 Mbps RJ45 via Intel i350-AM4 (Option: Advanced LAN bypass), 2 x 10/100/1000Mbps RJ45 via Intel i210-AT for management | | |
| | 10GbE | 4 x 10GbE SFP+ via Intel X722 | | |
| | LAN bypass | None (Option: 2-segment/4 x ports Advanced LAN bypass) | | |
| | PCIe | 1 x PCIe x8 (Low-profile) | | |
| Expansion | NMC | 1 (Option: Field-replaceable NMC-E02 by project inquiry) | 1 (Available for field-replaceable NMC-E02) | |
| | | | | |
| Storage | 2.5" HDD/SSD | 2 (Internal) | | |
| | M.2 SSD/NVMe | 2 x M.2 2280 SSD/NVMe | | |
| I/O | Console port | 1 | | |
| | USB3.0 | 2 | | |
| | LED Indicator | 1 x Power LED, 1 x Alert LED, 1 x Locate LED, 1 x Software-defined LED | | |
| | Others | 1 x Power button, 1 x Software-defined button | | |
| | TPM | None (Option: Infineon TPM1.2/2.0 module) | | |
| LCD Module | | None (Option: 21 columns x 4 lines text display) | | |
| Power | Power Type | Redundant 1+1 AC | | |
| | Watts | 300W | | |
| | Input | 100V ~ 240V | | |
| | Connector | CRPS (Option: 800W DC power supply by project support) | | |
| Environment | Operating Temperature (air flow 0.7 m/sec) | 0 ~ 40 °C (32 ~ 104 °F) | | |
| | Non-operating Temperature | -20 ~ 70 °C (-4 ~ 158 °F) and 40 °C @ 95% RH Non-Condensing | | |
| | Vibration Resistance | With SATA HDD: 0.5 Grms, IEC 60068-2-64, 5-500Hz, 1hr/axis | | |
| | Shock Protection | With SATA HDD: 10G, 11ms, IEC-60068-2-27, X.Y.X-X,-Y-Z axis, 3times per axis | | |
| Cooling | | Fixed 2 x system FANS (Option: Hot-swappable redundant system FANS) | Fixed 4 x system FANS | |
| | | | | |
| Mechanical | Construction | Steel | | |
| | Mounting | 1U Rackmount | | |
| | Dimensions (W x H x D) | 438 x 44 x 420 mm (17.2" x 1.7" x 16.5") | | |
| | Weight | 8.23Kg (18.14lb) | | |
| OS Support | | Linux (CentOS, Fedora, Red Hat, Ubuntu) | | |
| Advantech S/W Packages | | ALBPCU APOECU ipmitool Server iManager (Linux Base) -Health Guard -Diagnostic Framework -Network device identifier (NDI) | | |
| IPMI | | IPMI v2.0 compliant, with web interface, iKVM on request (Advantech IPMI Core) | | |
| Certification | | UL/CB 60950-1/62368-1(Safety), FCC Part 15 Class A(EMC), EN 55032/55024/55035 Class A(EMC), BSMI(Taiwan), CCC(China), KCC(Korea), VCCI(Japan), RCM(Australia/New Zealand), WEEE, RoHS, EN 300386 | | |

Dimensions

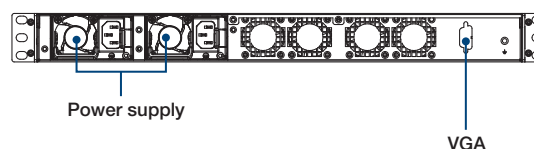
Unit: mm



Front Panel External I/O Mechanical Layout/Drawing



Rear Panel External I/O Mechanical Layout/Drawing



Ordering Information

| Part No. | CPU | Core/Thread | Base frequency | QAT | DDR4 | BMC | 10GbE SFP+ | 1GbE RJ45 | PCIex8 | NMC | VGA | System FAN | Power Supply | Redundancy |
|-----------------|-----------------------|-------------|----------------|------|------|-----|------------|-----------|--------|-----|-----|------------|--------------|------------|
| FWA-3050-8CA1R | Intel® Xeon® D-2145NT | 8/16 | 1.9GHz | 20G | 4 | Yes | 4 | 8 | 1 | 1 | 1 | 2 | 300W AC | Yes |
| FWA-3050-14A1R | Intel® Xeon® D-2177NT | 14/28 | 1.9GHz | 100G | 4 | Yes | 4 | 8 | 1 | 1 | 1 | 4 | 300W AC | Yes |
| FWA-3050L-16A1R | Intel® Xeon® D-2183IT | 16/32 | 2.2GHz | None | 4 | Yes | 4 | 8 | 1 | 1 | 1 | 4 | 300W AC | Yes |

Packing List

| Description | Quantity |
|---------------------------------------|----------|
| FWA-3050 barebone | 1 |
| SATA cable | 1 |
| Left/Right mounting ears(for 4x post) | 1 |
| Console cable | 1 |
| China RoHS letter | 1 |

Optional Accessories

| Part Number | Description |
|------------------|---|
| 1702002600 | Power cord 3P 180cm, USA |
| 1702002605 | Power cord 3P 180cm, Europe |
| 1702031801 | Power cord 3P 180cm, UK |
| 1700000237 | Power cord 3P 180cm, JP |
| 1700009652 | Power cord 3P 180cm, China |
| 1700002448 | Power cord 3P, 180cm, Taiwan |
| 968AE00073 | Slide rail |
| FWA-3050-800WPSU | 1pc 800W DC PSU with 1pc DC cable |
| FWA-3050-2POST | FWA-3050 rackmount kit for 2 post cabinet |
| FWA-3050-300WPSU | 1pc 300W AC PSU |