

FMC252

Dual Channel DC to 9GHz Vector
Signal Generator based on AD9166
FMC+

Key Features

- FMC+ module per VITA57.4
- Dual Analog Devices AD9166
- Fully synchronize dual DAC
- 16-bit with update rate of 12GS/PS
- DC to 9GHz in 2x NRZ mode
- DC to 2.5GHz in Baseband mode
- The quadrature DDS has digital upconverter
- Signal reconstruction up to 9Ghz
- Excellent dynamic range
- Front panel interface includes CLK In, Trig In and Trig Out

Benefits

- High dynamic range for versatility
- Ideal for Broadband communications systems, Wireless infrastructure, LTE, ATE, RADAR/Jamming
- Compatible with a broad range of Xilinx- and Intel/Altera-based FMC carriers from VadaTech and others
- Electrical, mechanical, software, and system-level expertise in house
- Full system supply from industry leader
- AS9100 and ISO9001 certified company

 FMC+
TM



vadatech
THE POWER OF VISION



FMC252

The FMC252 is an FMC+ per VITA 57.4 specification. The board has a dual channel DAC based on Analog Device AD9166. The two DAC are synchronized with respect to the RF clock inputs.

The AD9166 features:

- DC to 9GHz Vector Signal Generator
- Up to 4dBm output power
- 16-bit with core update rate up to 12GSPS
- DC to 2.5GHz in baseband mode
- DDS as digital upconverter

The module has Trig In/Out as well as clock input for external synchronizing.

See [VadaTech ADI Offerings](#) for the advantages of using our products during application development.

Block Diagram

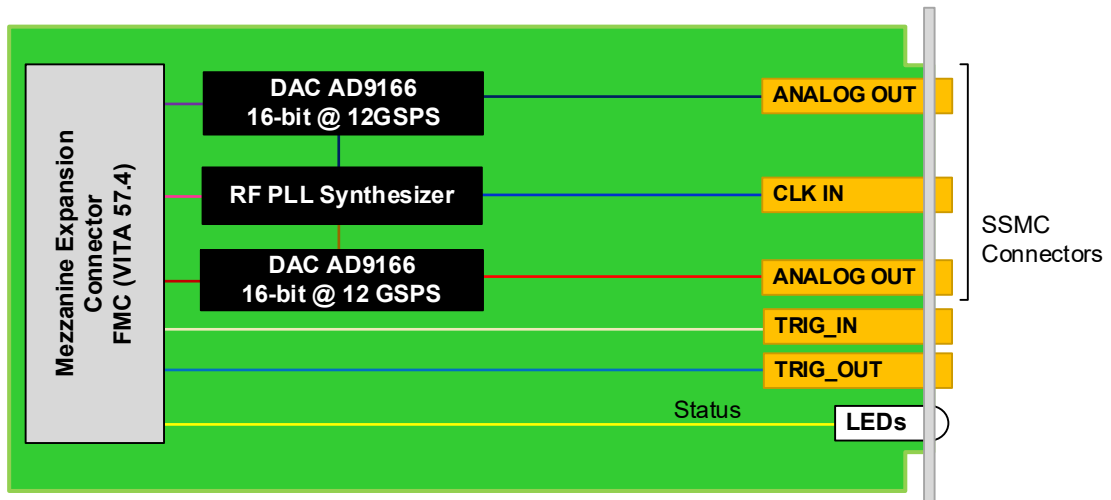


Figure 2: FMC252 Functional Block Diagram

Specifications

Architecture	
Physical	Dimensions Single module Width: 2.71" (69 mm) Depth 3.01" (76.5 mm)
Type	FMC Dual-channel DAC, Single FMC+
Standards	
FMC	VITA 57 ANSI/VITA 57.4
Configuration	
Power	FMC252 ~18W
Environmental	Temperature See Ordering Options (air flow requirements >400 LFM) Storage Temperature: -40° to +85°C
	Vibration 1G, 5 to 500 Hz on each axis
	Shock 30Gs each axis
	Relative Humidity 5 to 95% non-condensing
Front Panel	Interface Connectors 3x SSMC and dual twin-x
	LEDs Status
Software Support	Operating System Agnostic
Other	
MTBF	MIL Hand book 217-F@ TBD hrs
Certifications	Designed to meet FCC, CE and UL certifications, where applicable
Standards	VadaTech is certified to both the ISO9001:2015 and AS9100D standards
Warranty	Two (2) years, see VadaTech Terms and Conditions

INTEGRATION SERVICES AND APPLICATION-READY PLATFORMS

VadaTech has a full ecosystem of OpenVPX, ATCA and MTCA products including chassis platforms, shelf managers, AMC modules, Switch and Payload Boards, Rear Transition Modules (RTMs), Power Modules, and more. The company also offers integration services as well as pre-configured Application-Ready Platforms. Please contact VadaTech Sales for more information.

Ordering Options

FMC252 – A00-000-00J

A = DAC output		
0 = DC-coupled 1 = AC-coupled		
		J = Temperature Range and Conformal Coating
		0 = Commercial (–5° to +55°C), No coating 1 = Commercial (–5° to +55°C), Humiseal 1A33 Polyurethane 2 = Commercial (–5° to +55°C), Humiseal 1B31 Acrylic 3 = Industrial (–20° to +70°C), No coating 4 = Industrial (–20° to +70°C), Humiseal 1A33 Polyurethane 5 = Industrial (–20° to +70°C), Humiseal 1B31 Acrylic 6 = Extended (–40° to +85°C), Humiseal 1A33 Polyurethane** 7 = Extended (–40° to +85°C), Humiseal 1B31 Acrylic**

Notes:

**Conduction cooled; temperature is at edge of module. Consult factory for availability.

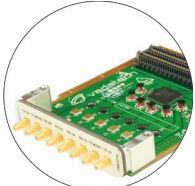
Related Products

AMC592



- AMC FPGA carrier for FMC per VITA 57
- Xilinx UltraScale™ XCKU115 FPGA
- Supported by DAQ Series™ data acquisition software

FMC214



- Dual complete transceiver signal chain solution using Analog Devices AD9361 transceiver
- Frequency range 70 MHz to 6 GHz with instantaneous bandwidth from 200 kHz to 56 MHz
- MIMO transceiver is Time Domain Duplex (TDD) and Frequency Domain Duplex (FDD) compatible

VPX592



- 3U FPGA carrier for FPGA Mezzanine Card (FMC) per VITA 46 and VITA 57
- Xilinx Kintex UltraScale™ XCKU115 FPGA
- High-performance clock jitter cleaner

Contact

VadaTech Corporate Office

198 N. Gibson Road, Henderson, NV 89014

Phone: +1 702 896-3337 | Fax: +1 702 896-0332

Asia Pacific Sales Office

7 Floor, No. 2, Wenhua Street, Neihu District, Taipei 114, Taiwan

Phone: +886-2-2627-7655 | Fax: +886-2-2627-7792

VadaTech European Sales Office

VadaTech House, Bulls Copse Road, Southampton, SO40 9LR

Phone: +44 2380 016403

info@vadatech.com | www.vadatech.com

Choose VadaTech

We are technology leaders

- First-to-market silicon
- Constant innovation
- Open systems expertise

We commit to our customers

- Partnerships power innovation
- Collaborative approach
- Mutual success

We deliver complexity

- Complete signal chain
- System management
- Configurable solutions

We manufacture in-house

- Agile production
- Accelerated deployment
- AS9100 accredited



vadatech
THE POWER OF VISION

Trademarks and Disclaimer

The VadaTech logo is a registered trademark of VadaTech, Inc. Other registered trademarks are the property of their respective owners. AdvancedTCA™ and the AdvancedMC™ logo are trademarks of the PCI Industrial Computers Manufacturers Group. All rights reserved. Specification subject to change without notice.

© 2020 VadaTech Incorporated. All rights reserved.
DOC NO. 4FM737-12 REV 01 | VERSION 1.0 – JUN/20