

# CS-108/M1001

## 8.4" TFT-LCD Sunlight Readable Touch Monitor



- 8.4" TFT-LCD with Ultra High Brightness up to 1,600 nits and 800 x 600 (SVGA) Resolution
- Signal Input: VGA, DVI-D and DisplayPort
- Wide Range Operating Temperature -5°C to 60°C
- Designed with Aluminum Die-casting Front Frame
- True Flat IP65 Front Panel Protection
- Supports Panel / VESA / Rack Mounting
- Wide Range Power Input 9~48VDC
- Convertible Display System (CDS) Technology Supported



### Overview

CS-108/M1001 Series is a 8.4" TFT-LCD sunlight readable touch monitor offering 1,600 nits ultra high brightness and 800 x 600 (SVGA) resolution. It supports both digital and analog signal input via three types of display interface, including VGA, DVI-D and DisplayPort. CS-108/M1001 Series supports Convertible Display System (CDS) technology which allows you to configure, upgrade and maintain your display system according to your need. In addition, it has OSD function for adjusting the viewing options of display.

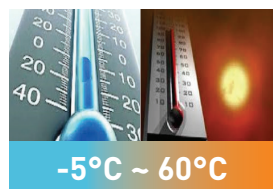
Featuring wide range operating temperature (-5°C to 60°C), IP65 dust/water proof front panel and wide range DC power input (9 to 48VDC), CS-108/M1001 Series is a rugged and reliable display solution for outdoor applications, such as heavy-duty lifting & moving equipment, e-toll collection system, car-sharing system and outdoor kiosk.

### Highlights



#### Sunlight Readable

Providing ultra high brightness 1,600 nits and resolution up to 800 x 600 (SVGA), CS-108/M1001 Series is suitable for all lighting conditions including direct sunlight.



#### Wide Temperature

CS-108/M1001 Series supports wide range operating temperature from -5°C to 60°C and is suitable for deploying in extreme and harsh environments.

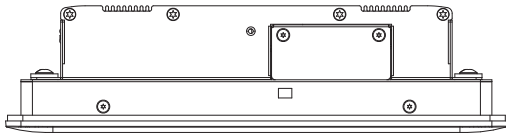


#### Multiple Video Input

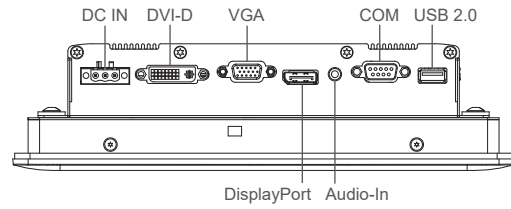
CS-108/M1001 Series supports high resolution and offers both digital and analog signal input interfaces including VGA, DVI-D & DisplayPort.

External Layout

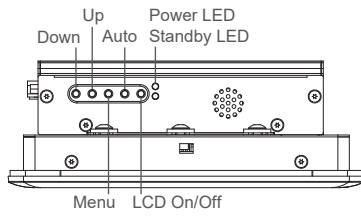
Front



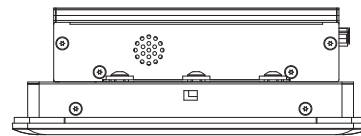
Rear



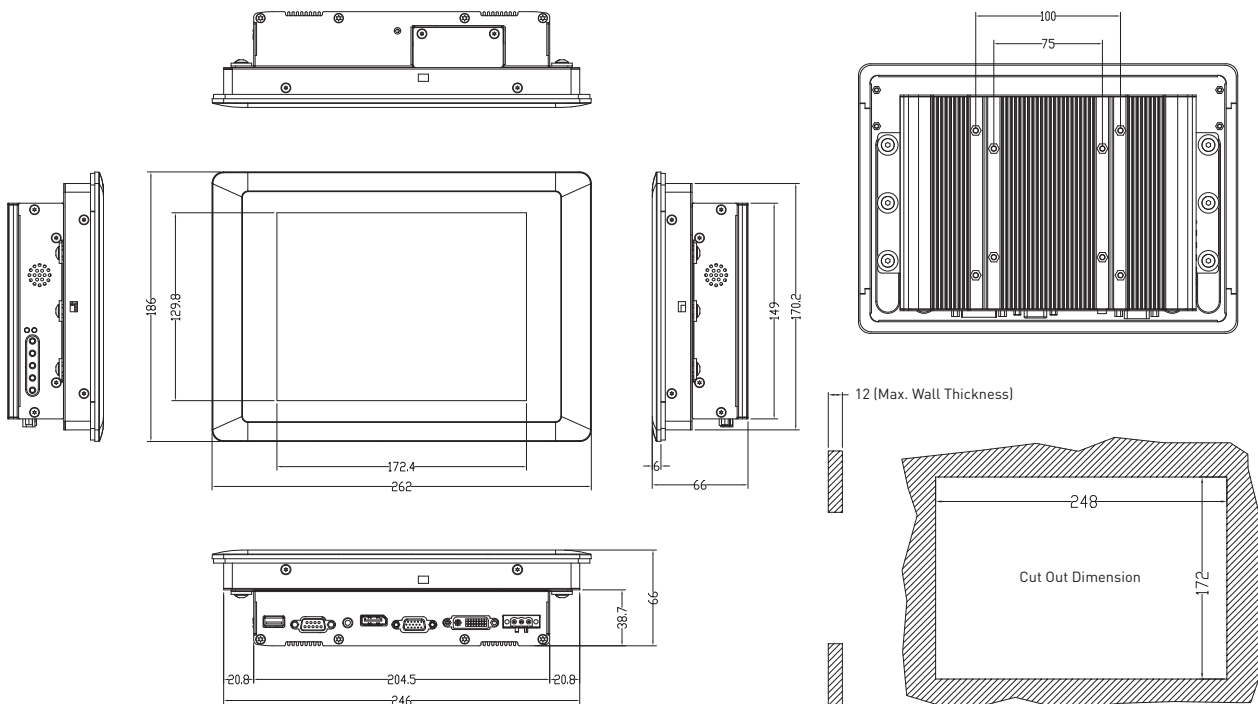
Left



Right



Dimensions



Unit: mm

## Specifications

- Display**
  - LCD Size: 8.4" (4:3)
  - Max. Resolution: 800 x 600
  - Brightness (cd/m2): 1600
  - Contrast Ratio: 600 : 1
  - LCD Color: 16.2M
  - Pixel Pitch (mm): 0.213 (H) x 0.213 (V)
  - Viewing Angle (H-V): 160 / 140
  - Backlight MTBF: 50000 hrs (LED Backlight)
- Touch**
  - Projected Capacitive Touch
- Power**
  - 1x 3-pin Terminal Block Connector with Power Input 9~48VDC
  - 1x Optional AC/DC 12V/5A, 60W Power Adapter
- I/O Ports**
  - 1x VGA Input
  - 1x DVI-D Input
  - 1x DisplayPort Input
  - 1x Audio Input
  - 1x USB 2.0 (for Projected Capacitive Touch)
  - 1x COM Port (reserved for Resistive Touch)
- Other Features**
  - Audio: AMP 5W + 5W (Internal Speaker)
  - OSD Function: LCD On/Off, Auto, Menu, Up and Down
  - Multi-language OSD Function
- Physical**
  - Dimension (WxDxH, mm): 262 x 186.2 x 66 mm
  - Weight: 2.70 kg
  - Construction Front Panel: Rugged Aluminum Die-casting Bezel
  - Mounting: Panel / VESA / \*Rack Mounting (\*with optional mounting kit)
- Environment**
  - Operating Temperature: Ambient with air flow: -5°C to 60°C (with Industrial Grade Peripherals)
  - Storage Temperature: -20°C to 70°C
  - Relative humidity: 85% RH @ 40°C (non-condensing)
  - Shock: Operating, 15 Grms, Half-sine 11 ms Duration (w/ SSD, according to IEC60068-2-27)
  - Vibration: Operating, 1.5 Grms, 5-500 Hz, 3 Axes (w/ SSD, according to IEC60068-2-64)
  - IP Level: IP 65 Compliant Front Panel
  - EMC: CE, FCC Class A
- Operating System**
  - Windows® 10
  - Windows® 8.1
  - Windows® 7
  - Kernel 3.x
- Certification**
  - CE
  - FCC Class A

## Ordering Information

### Available Models

Model No.	Description
CS-108C-R10/M1001-R12	8.4" TFT-LCD 1600 nits Sunlight Readable Touch Monitor with P-Cap. Touch

### Package Checklist

- Touch Monitor x 1
- Panel Mounting Kit x 1
- Utility DVD Driver x 1
- Power Terminal Block Connector x 1
- USB Cable x 1
- VGA Cable x 1
- Screw Pack x 1

### Optional Modules & Accessories

Model No.	Description
GST60A12-CIN1	Adapter AC/DC 12V 5A 60W, GST60A12-CIN1, wide temp(-30°C ~ +70°C)
DVI-D Cable	DVI-D male to DVI-D male Cable 1.8M
SL2-SL3	US 2 heads power cord, US B type to IEC C13, SVT 18AWG/3C Black 1.8M SL-2+SL-3
SL6-SL3	EU 2 heads power cord, EU G type to IEC C13, H05VV-F 0.75mm2/3G Black 1.8M SL-6+SL-3
QP026-SL3	UK 2 heads power cord, UK I type to IEC C13 ,H05VV-F 0.75mm2/3G Black 1.8M QP026+SL-3
URM01	Universal 19" Rack Mount Kit for Industrial Panel PC & Industrial Monitor