

# DLT-V6210

## Rugged Vehicle-Mounted Terminal with Sunlight-Readable Display



### Features

- Intel® Atom™ E3825 dual-core, 1.33 GHz, with 4 GB RAM
- 10.4" XGA color TFT display with 600/1300 cd/m<sup>2</sup> brightness for both indoor and outdoor applications
- Rugged, IP65-rated design with 5M3 certification
- Impact-tolerant, abrasion-resistant projected capacitive touchscreen
- Wide operating temperature range (-30 ~ 50 °C/-22 ~ 122 °F) to withstand extreme environments

### Introduction

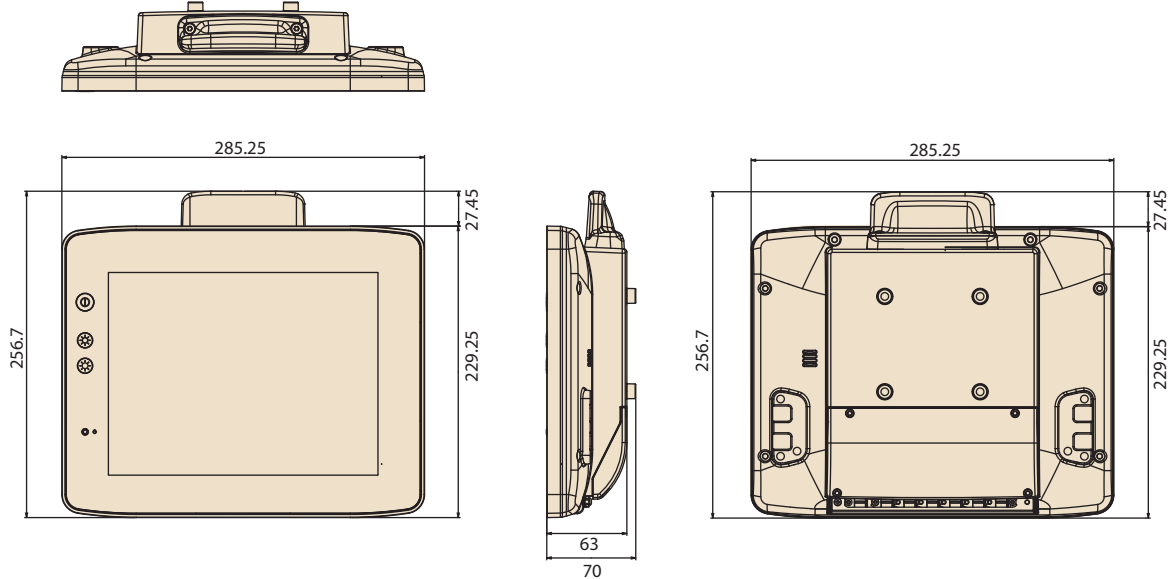
DLT-V6210 is a rugged vehicle-mounted terminal designed for efficient logistics applications. With its IP65-rating for protection from water and dust ingress, wide operating temperature range (-30 ~ 50 °C/-22 ~ 122 °F), rugged design, as well as impact-tolerant, scratch-resistant projected capacitive multi-touch display, DLT-V6210 is built to withstand operation in extreme industrial environments. Moreover, the terminal's sunlight-readable display supports operation in direct sunlight for outdoor applications. Finally, a low-profile external Wi-Fi antenna is included to ensure reliable connectivity for logistics and fleet management.

### Specifications

System	CPU	Intel® Atom™ E3825 dual-core, 1.33 GHz, with 4 GB RAM
	Memory	32 GB CFast
Dimensions (W x H x D)		285.25 x 256.7 x 70 mm (11.23 x 10.11 x 2.76 in)
Weight		3.2 kg (7.05 lb)
Housing		Coated aluminum with completely sealed, fanless design
Display		10.4" XGA color TFT with 1024 x 768 resolution and 600/1300 cd/m <sup>2</sup> brightness
Touchscreen	Type	Projected capacitive touchscreen with multi-touch control
Control Buttons	Front Panel	3 x control buttons (1 x power, 1 x brightness up, 1 x brightness down)
Software	Operating System	Windows 10 IoT Enterprise, Windows Embedded Standard 7, Windows Embedded 8 Standard
Communication	WLAN	Wi-Fi IEEE 802.11 a/b/g/n
	WPAN	Bluetooth 4.0
	LAN	2 x LAN RJ45 10/100/1000 Mbit/s
I/O Interfaces	Serial	1 x RS-232; 5 V <sub>DC</sub>
	USB	2 x USB host Type A, 5 V <sub>DC</sub> , 500 mA
	RSMA	1 x RSMA for external Wi-Fi antenna (optional)
Audio		1 x integrated speaker (2W)
Power Supply		12/24/48 V <sub>DC</sub> nominal voltages with automatic Power On/Off functionality via vehicle ignition
Environmental	IP Rating	IP65 rating for the entire system
	Operating Temperature	-30 ~ 50 °C (-22 ~ 122 °F)
	Relative Humidity	10 to 95% at 25 °C (77 °F), non-condensing
	Shock/Vibration	5M3 (EN 60721-3-5) and MIL-STD 810F (US highway truck vibration exposure)
	Touchscreen Durability	IK 08
Certification		CE Immunity Class A, Emission Class B/FCC Class B (for EU and USA), BSMI/NCC (for Taiwan), TELEC (for Japan), CCC/SRRC (for China)

## Dimensions

Unit: mm



## Ordering Information

Part Number	Description	CPU	Memory	Storage	Wi-Fi	BT	GPS	3G	OS	OS language
DLV6210-7PL170W0E	DLT-V6210 PCAP/32GB/600nits/WiFi/WES7	Intel Atom E3825 Dual Core 1.33GHz	4GB	32GB	V	V	X	X	WES7	10 MUI (incl. English, German, Japanese, Chinese trad., Chinese simpl.)
DLV6210-7HL170W0E	DLT-V6210 PCAP/32GB/1300nits/WiFi/WES7	Intel Atom E3825 Dual Core 1.33GHz	4GB	32GB	V	V	X	X	WES7	10 MUI (incl. English, German, Japanese, Chinese trad., Chinese simpl.)
DLV6210-7PL110W0E	DLT-V6210 PCAP/32GB/600nits/WiFi/Win10IoT	Intel Atom E3825 Dual Core 1.33GHz	4GB	32GB	V	V	X	X	Win10IoT	English, German, Japanese, Chinese simpl.
DLV6210-7HL110W0E	DLT-V6210 PCAP/32GB/1300nits/WiFi/Win10IoT	Intel Atom E3825 Dual Core 1.33GHz	4GB	32GB	V	V	X	X	Win10IoT	English, German, Japanese, Chinese simpl.
DLV6210-7PL1P0W0E	DLT-V6210 PCAP/32GB/600nits/WiFi/Win7 Prof.	Intel Atom E3825 Dual Core 1.33GHz	4GB	32GB	V	V	X	X	WIN7P	10 MUI (incl. English, German, Japanese, Chinese trad., Chinese simpl.)
DLV6210-7HL1P0W0E	DLT-V6210 PCAP/32GB/1300nits/WiFi/Win7 Prof.	Intel Atom E3825 Dual Core 1.33GHz	4GB	32GB	V	V	X	X	WIN7P	10 MUI (incl. English, German, Japanese, Chinese trad., Chinese simpl.)
DLV6210-7PL1M0W0E	DLT-V6210 PCAP/32GB/600nits/WiFi/WEC 7	Intel Atom E3825 Dual Core 1.33GHz	4GB	32GB	V	X	X	X	WEC7	English
DLV6210-7HL1M0W0E	DLT-V6210 PCAP/32GB/1300nits/WiFi/WEC 7	Intel Atom E3825 Dual Core 1.33GHz	4GB	32GB	V	X	X	X	WEC7	English
DLV6210-7HL1E0W0E	DLT-V6210 1300nit/ WE8S	Intel Atom E3825 Dual Core 1.33GHz	4GB	32GB	V	V	X	X	WE8S	English
DLV6210-7PL1E0W0E	DLT-V6210 600nit/ WE8S	Intel Atom E3825 Dual Core 1.33GHz	4GB	32GB	V	V	X	X	WE8S	English

Further configurations on request!

## Packing List

- Power Cable VDC 3m

## Optional Accessories

Part Number	Description
DL-MTKT004	Mounting bracket 15° fixed
DL-MTRM001	RAM Mount double 1.5" (arm 150mm, tube mount)
DL-MTRM002	RAM Mount double arm 1.5" (2 arm 150mm)
DL-MTRM003	RAM-Mount long (arm 215mm/plate)
DL-MTRM004	RAM Mount short 2.25" (arm 130mm/plate)
DL-STYL010	Stylus with mounting, right, for PCT

Further configurations on request!

## I/O Connectors

