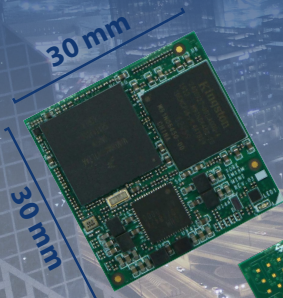


XORE-IMX8M-MINI



From
\$50

- The XORE-IMX8M-MINI is an LGA solderable System on Module (SOM) based on an NXP i.MX8M Mini Quad core Cortex-A53™ + M4™ processor clocking up to 1.8GHz.
- The PICO-IMX8M-MINI on-board Vivante GC NanoUltra, OpenGL ES 2.0 supports Full-HD MIPI DSI display and MIPI-CSI2 Camera. The OpenCL GPU accelerator brings up to 32 GOPS AI/ML capabilities to IIoT edge devices.
- Linux, Yocto, Android runtime images and full source code available.

Specifications



yocto
PROJECT



Core System

Processor	NXP i.MX8M Mini Quad
Processor Speed	up to 1.8GHz
Architecture	ARM Cortex-A53 + M4
PMIC	ROHM BD71847
Memory	up to 4GB LPDDR4
Storage	eMMC (16GB Default)
System on Module	XORE SOM

Connectivity

Network LAN	RGMII
-------------	-------

Signaling

I/O	MIPI CSI	I ² S
	MIPI DSI	SDIO
	RGMII	UART
	PCIe	SPI
	USB	I ² C
	USB OTG	PWM
		GPIO

Video

Graphic Engine	Vivante GC7000Lite
Video Decode	1080p60 H.264
Video Encode	1080p60 H.264
Camera	MIPI CSI (4 lanes)

Audio

Audio Codec	On carrier board
-------------	------------------

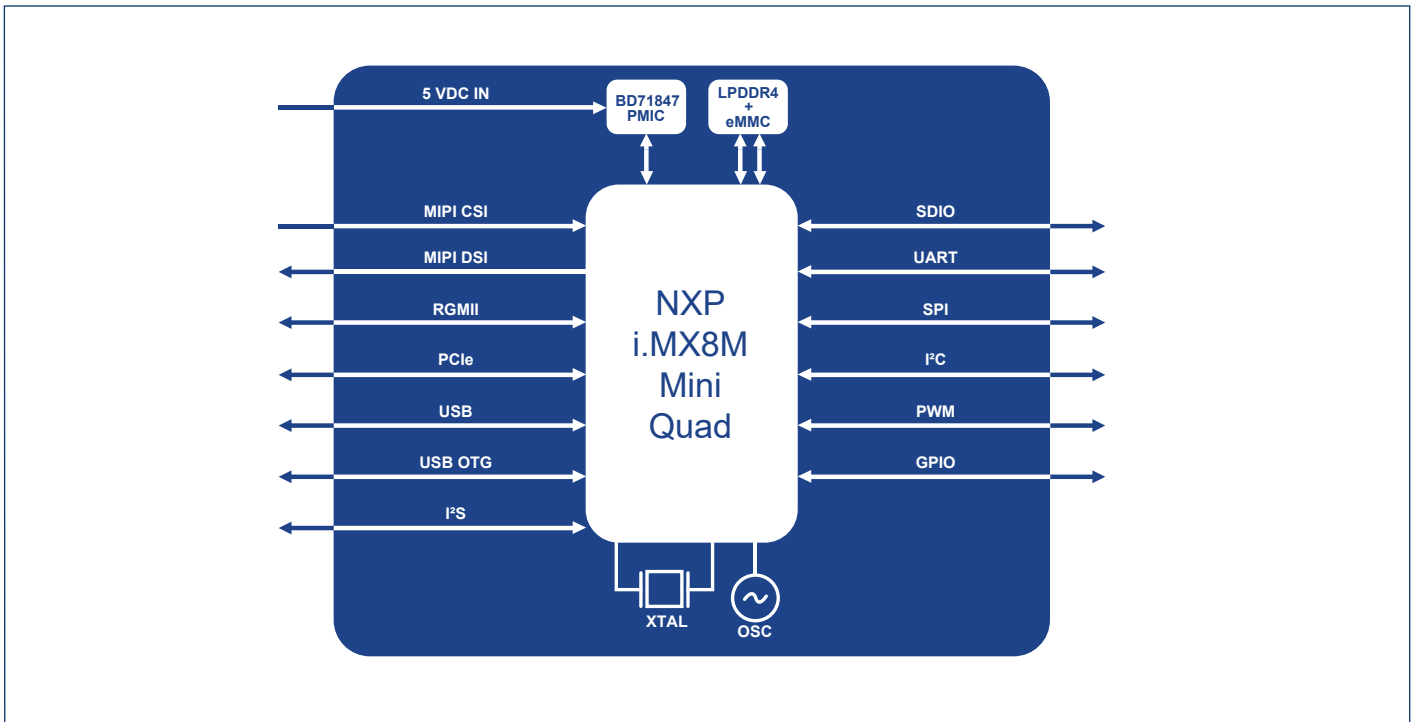
Operation Systems

Standard Support	Linux
	Yocto
	Android

Certification and Compliance

Certification	Compliant with RoHS / REACH directives
---------------	--

Block Diagram



Environmental and Mechanical

Dimensions	30 x 30 mm
Weight	5 grams
Operation Temperature	Commercial: 0° to +60°C
Relative Humidity	10 to 90 %
MTBF	>100 000 Hours
Shock	15G half-sine 11 ms duration
Vibration	1 Grms random 5-500Hz hr/axis

Power Specifications

Power Input	5V DC +/-5%
Power Consumption	Depending on Configuration

Order Information :

XORE-IMX8MMx-18-Rxx-Exx---xxxx

	Code	Description
Processor	IMX8MMQ	NXP i.MX8M Mini Quad
Processor Speed	18	1.8GHz
Memory	R20	2GB LPDDR4
	R40	4GB LPDDR4
Storage	E16	eMMC 16GB
	E32	eMMC 32GB
	E64	eMMC 64GB
Temperature Range	-	Commercial Temperature range (0° to +60°C) (Default)
Custom ID	XXXX	Custom Part number ID for customized Software loader and special component (BOM)

Dimensions
(units in mm)

