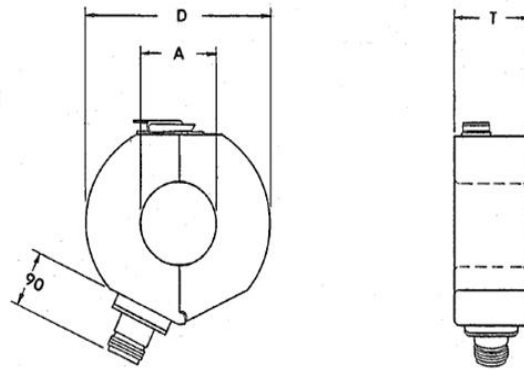
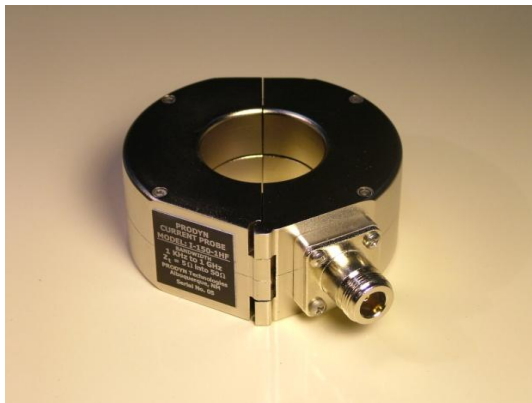


**MODEL I-150-1HF**

**KWIK-LATCH® CURRENT PROBE**

PRODYN's model I-150-1HF's is a new addition to the Kwik-Latch® Current Probe line. The I-150-1HF has a convenient larger aperture at 1.5 inches (3.81cm) allowing customers more size capacity than the I-125 series probes. This model is wide band, has a 50Ω load impedance and is equipped with a type N output connector. New models with different sensitivities and bandwidths are being designed. Please contact PRODYN for additional information.



A=1,570" [39.88]

D=3,437" [87.30]

T=1.375" [34.93]

Weight aprox.1Pound(460g)

The relationship between the sensed current and the output voltage is:  **$V_{out} = Z_t \times I_{sensed}$**

Model	$Z_t \Omega$	Usable Frequency Range	3 db Points
I-150-1HF	5	1 KHz to 1 GHz	80 KHz to 600 MHz

Additional specifications are available on Prodyn's "Standard Current Probe Performance" chart and can be found on our website at [www.prodyntech.com](http://www.prodyntech.com)