

## BNC Series - C5 (50 Ω) / C7 (75 Ω)



### FEATURES :

- Bayonet coupling
- Brass and zinc alloy available
- 50Ω and 75Ω intermateable
- Many Cable & PCB options
- Delrin or Teflon insulators available

### APPLICATIONS :

- Antennas
- Broadcast & Video
- LANS/Computers
- Oscilloscopes
- Medical Equipment
- Wireless Network Antennas

BNC

**ELECTRICAL SPECIFICATIONS**

<u>Impedance</u>	<u>50 Ω / 75 Ω</u>
<u>Frequency Range</u>	<u>0 – 4 GHz / 0 - 3 GHz</u>
<u>Working Voltage</u>	<u>≥ 500 VRMS</u>
<u>Dielectric Withstanding Voltage</u>	<u>1500 VRMS at sea level</u>
<u>VSWR</u>	<u>Straight : 1.15 max</u>
	<u>Right Angle : 1.2 max</u>
<u>Contact Resistance</u>	<u>Center Contact : ≤ 1.5 mΩ</u>
	<u>Outer Contact : ≤ 0.2 mΩ</u>
<u>Insulation Resistance</u>	<u>5,000 MΩ min.</u>
<u>Insertion loss</u>	<u>0.2dB max.</u>

**MATERIAL SPECIFICATIONS**

<u>Body and outer contacts</u>	<u>Brass, nickel plated</u>
<u>Male contact</u>	<u>Brass, gold plated</u>
<u>Female contact</u>	<u>Phosphor Bronze, gold plated</u>
<u>Insulator</u>	<u>Delrin or PTFE</u>
<u>Crimp ferrule</u>	<u>Copper or brass, nickel plated</u>

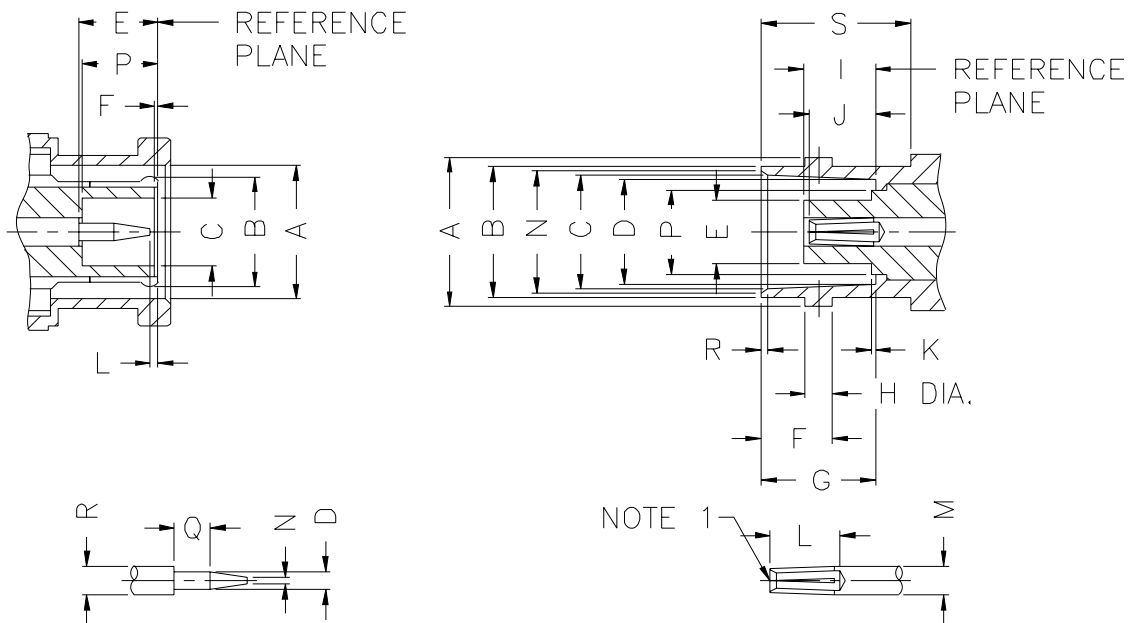
**MECHANICAL SPECIFICATIONS**

<u>Coupling nut retention force</u>	<u>101 lbs</u>
<u>Center contact Retention</u>	<u>≥ 6 lbs</u>
<u>Engagement force</u>	<u>≤ 5 lbs</u>
<u>Disengagement force</u>	<u>≥ 1.5 lbs</u>
<u>Cable retention</u>	<u>20 - 70 lbs</u>
<u>Durability (matings)</u>	<u>500 cycles min.</u>

**ENVIRONMENTAL**

<u>Temperature Range</u>	<u>-65°C to +165°C</u>
--------------------------	------------------------

## INTERFACE MATING DIMENSIONS



PLUG		
Letter	Millimeters	
	Minimum	Maximum
A	9.78	9.91
B	Flared To Meet Good Electrical Contact	
C	4.83	-
D	1.32	1.37
E	5.33	5.84
F	0.15	0.46
L	0.08	1.02
N	-	0.64
P	5.28	5.79
Q	1.98	-
R	2.06	2.21

JACK		
Letter	Millimeters	
	Minimum	Maximum
A	10.97	11.07
B	9.60	9.70
C	8.31	8.46
D	8.10	8.15
E	-	4.72
F	5.18	5.28
G	8.31	8.51
H	1.91	2.06
I	4.78	5.28
J	4.72	5.23
K	-	0.15
L	4.95	-
M	2.06	2.21
N	8.79	9.04
P	-	6.50
R	0.38	0.76
S	10.52	-

**Note 1** : I.D. to meet VSWR and contact resistance when mated with 1.32/1.37 mm dia. pin.

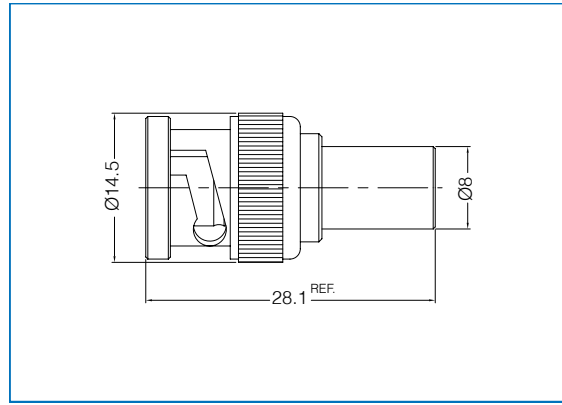
**Terminator Plug**

CYM11A-TERN01

1 Watt

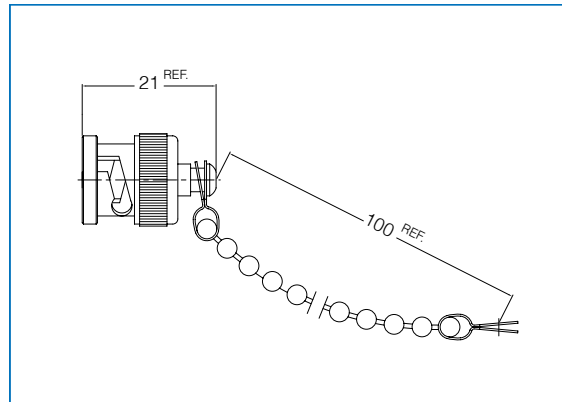
Impedance  $\underline{Y = 5 = 50 \text{ Ohm}}$

$\underline{Y = 7 = 75 \text{ Ohm}}$



**Male Cap with Chain**

C5M12A-TERN01



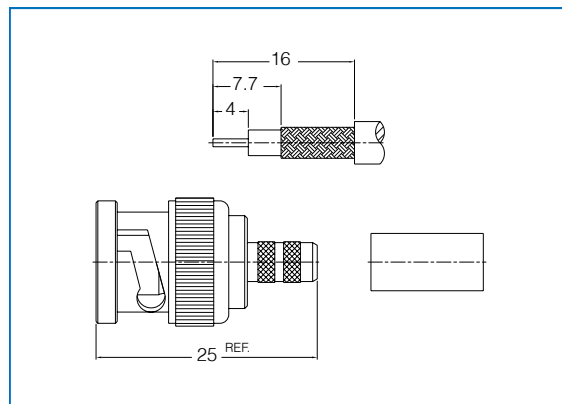
**Straight Plug, Crimp**

CYM11A-AXXN01

Cable group : 06, 07, 08, 09, 10, 11, 12, 13, 14, 15, 16, 22, 23, 25, 26, 27, 34, 35, 36, 37, 38

Impedance  $\underline{Y = 5 = 50 \text{ Ohm}}$

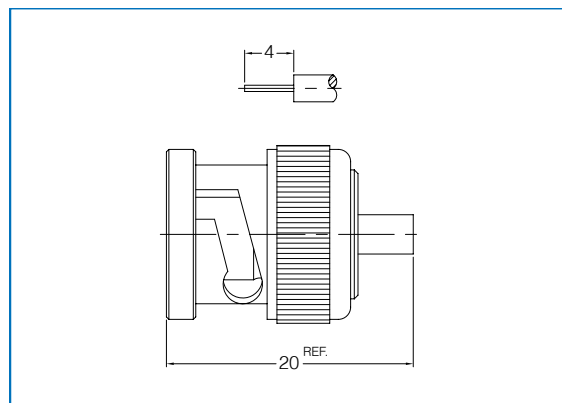
$\underline{Y = 7 = 75 \text{ Ohm}}$



**Straight Plug, Solder**

C5M11B-AXXN01

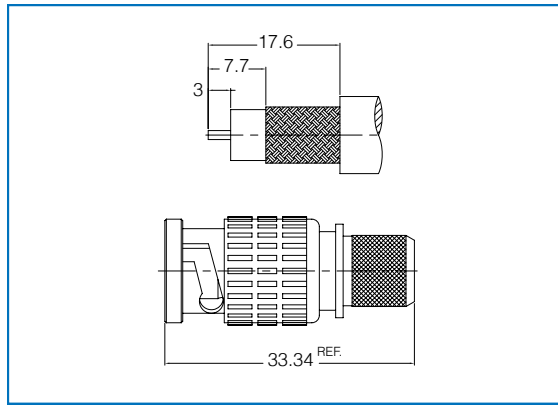
Cable group : 28, 29, 33



### Straight Plug, Crimp, long Coupling Nut

C7M13A-AXXN01

Cable group : 10, 15, 20



Cable Groups

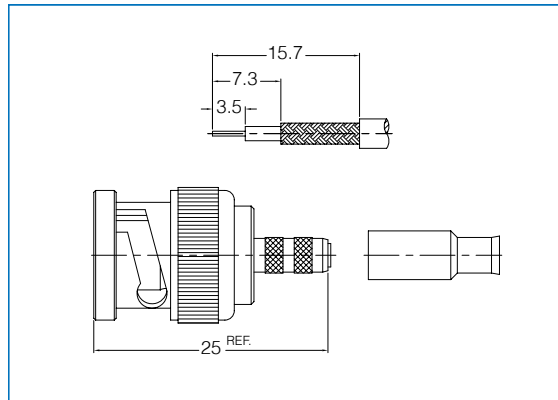
### Straight Plug, Crimp with Delrin Sleeve

CYM11C-AXXN01

Cable group : 02, 03, 04, 05

Impedance Y = 5 = 50 Ohm

Y = 7 = 75 Ohm



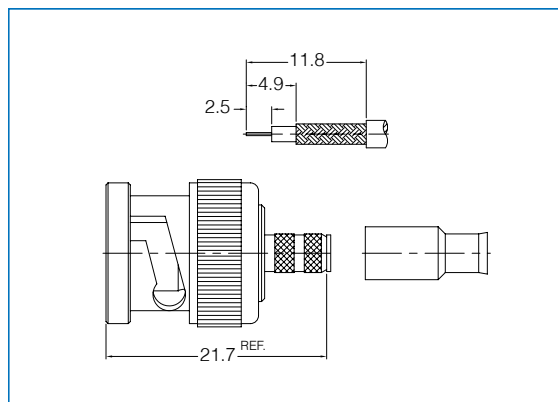
A01 - 500 - RG-178, 196  
A02 - 500 - RG-174, 188A, 316, LMR100  
A03 - 750 - RG-179, 187  
A04 - 500 - RD-316/U  
A05 - 750 - RD-179/U  
A06 - 500 - RG-58, 58A, 58C, 141, LMR195  
A07 - 500 - RG-55, 142, 223, 400  
A08 - 500 - LMR200  
A09 - 500 - RG-59/U Plenum  
A10 - 750 - RG-59, 62  
A11 - 750 - Belden 1505A  
A12 - 750 - Belden 8281  
A13 - 750 - RG-59/U Quad Shield  
A14 - 750 - RG-59/U Plenum

### Straight Plug, Crimp

C7M12B-AXXN01

Cable group : 03, 05

\* TPX Insulator



A15 - 750 - RG-6  
A16 - 500 - 8X, LMR240  
A17 - 500 - LMR400, Belden 9913  
A18 - 500 - RG-8, 8A, 9, 213, 214  
A19 - 750 - RG8/U, Quad  
A20 - 750 - RG-11  
A21 - 750 - Belden 1694A  
A22 - 750 - AT&T 734A  
A23 - 750 - AT&T 735A  
A24 - 500 - LMR600  
A25 - 750 - Belden 1696A  
A26 - 750 - Belden 8218  
A27 - 750 - BT-3002  
A28 - 500 - 0885, 0885RF, RG-405/U

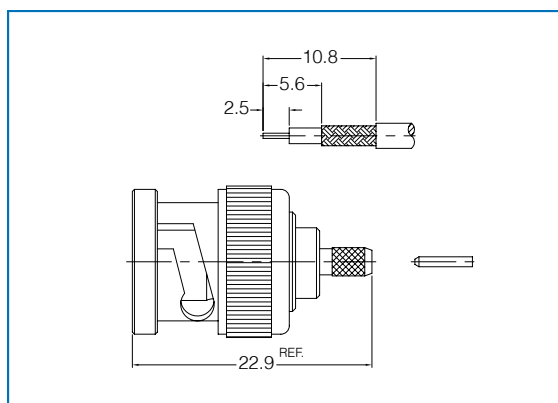
### Straight Plug, Crimp-Pin in Pin

CYM14A-AXXN01

Cable group : 01, 02, 03, 04, 05

Impedance Y = 5 = 50 Ohm

Y = 7 = 75 Ohm



A29 - 500 - 141SR, RG-402/U  
A30 - 500 - 1.13mm OD micro  
A31 - 500 - 1.32mm OD micro  
A32 - 500 - 1.37mm OD micro  
A33 - 500 - 047SR cable  
A34 - 750 - FLEX 2  
A35 - 750 - FLEX 3  
A37 - 750 - FLEX 5  
A38 - 500 - 30-2V  
A39 - 500 - 5D-2V  
A40 - 500 - 8D-2V  
A41 - 500 - 5D-FB, LMR300  
A42 - 500 - 1/4" Superflex  
A43 - 500 - 1/2" Superflex

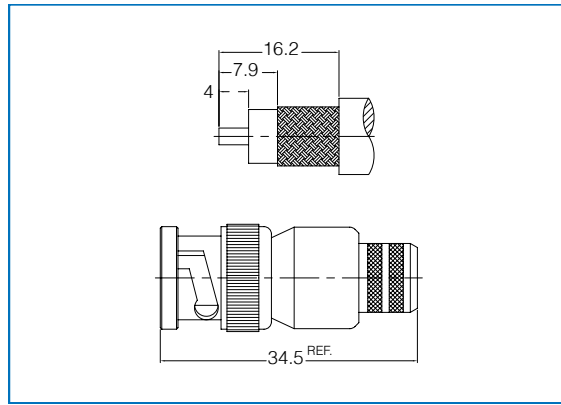
**Straight Plug, Crimp**

CYM15A-AXXN01

Cable group : 17, 18, 19, 20

Impedance Y = 5 = 50 Ohm

Y = 7 = 75 Ohm



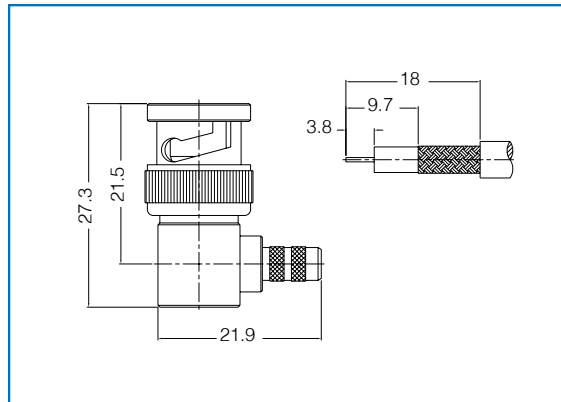
**Right Angle Plug, Crimp**

CYM21A-AXXN01

Cable group : 06, 07, 08, 09, 10, 11, 12, 15, 16

Impedance Y = 5 = 50 Ohm

Y = 7 = 75 Ohm



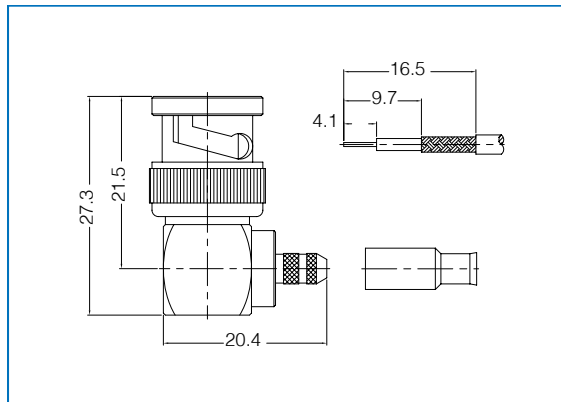
**Right Angle Plug, Crimp**

CYM21B-AXXN01

Cable group : 02, 03, 04, 05

Impedance Y = 5 = 50 Ohm

Y = 7 = 75 Ohm



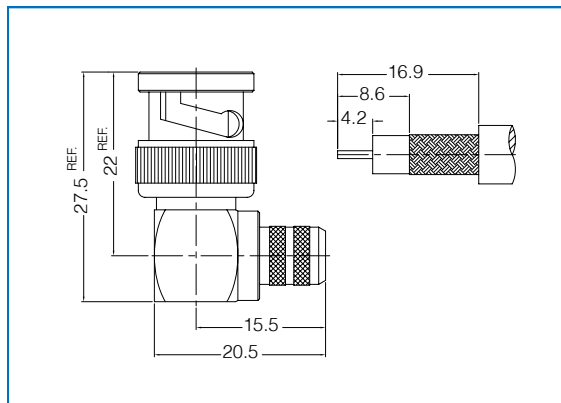
**Right Angle Plug, Crimp**

CYM21C-AXXN01

Cable group : 17, 18, 19, 20, 24

Impedance Y = 5 = 50 Ohm

Y = 7 = 75 Ohm



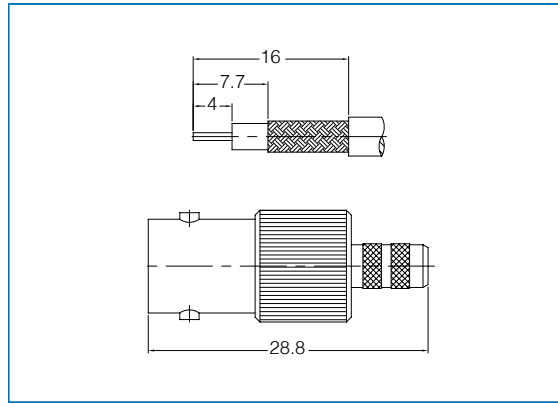
## Straight Jack, Crimp

CYF11A-AXXN01

Cable group : [06](#), [07](#), [08](#), [09](#), [10](#), [11](#), [12](#),  
[13](#), [14](#), [15](#), [16](#), [21](#), [22](#), [23](#), [25](#), [26](#), [27](#)

Impedance  $Y = 5 = 50 \text{ Ohm}$

$Y = 7 = 75 \text{ Ohm}$



Cable Groups

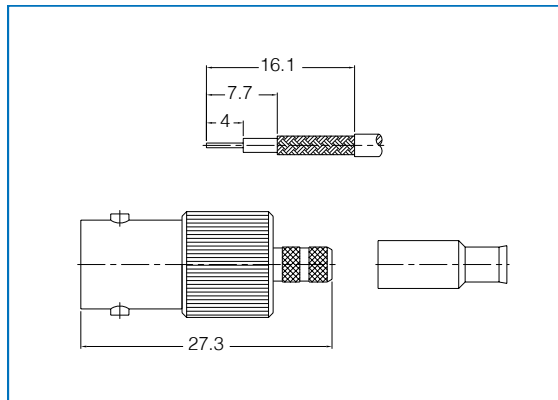
## Straight Jack, Crimp with Delrin Sleeve

CYF11B-AXXN01

Cable group : [02](#), [03](#), [04](#), [05](#)

Impedance  $Y = 5 = 50 \text{ Ohm}$

$Y = 7 = 75 \text{ Ohm}$



A01 - 500 - RG-178, 196	A08 - 500 - LMR200	A15 - 750 - RG-6	A22 - 750 - AT&T 734A	A29 - 500 - 141SR, RG-402U	A37 - 750 - FLEX 5
A02 - 500 - RG-174, 188A, 316, LMR100	A09 - 500 - RG-59U Plenum	A16 - 500 - 8X, LMR240	A23 - 750 - AT&T 735A	A30 - 500 - 1.13mm OD micro	A38 - 500 - 30-2V
A03 - 750 - RG-179, 187	A10 - 750 - RG-59, 62	A17 - 500 - LMR400, Belden 9913	A24 - 500 - LMR600	A31 - 500 - 1.32mm OD micro	A39 - 500 - 5D-2V
A04 - 500 - RD-316/U	A11 - 750 - Belden 1505A	A18 - 500 - RG-8, 9A, 9, 213, 214	A25 - 750 - Belden 1696A	A32 - 500 - 1.37mm OD micro	A40 - 500 - 8D-2V
A05 - 750 - RD-179/U	A12 - 750 - Belden 8281	A19 - 750 - RG6/U, Quad	A26 - 750 - Belden 8218	A33 - 500 - 047SR cable	A41 - 500 - 5D-FB, LMR300
A06 - 500 - RG-58, 58A, 58C, 141, LMR195	A13 - 750 - RG-59U Quad Shield	A20 - 750 - RG-11	A27 - 750 - BT-3002	A34 - 750 - FLEX 2	A42 - 500 - 1/4" Superflex
A07 - 500 - RG-55, 142, 223, 400	A14 - 750 - RG-59U Plenum	A21 - 750 - Belden 1694A	A28 - 500 - 0885, 0885RF, RG-405U	A35 - 750 - FLEX 3	A43 - 500 - 1/2" Superflex

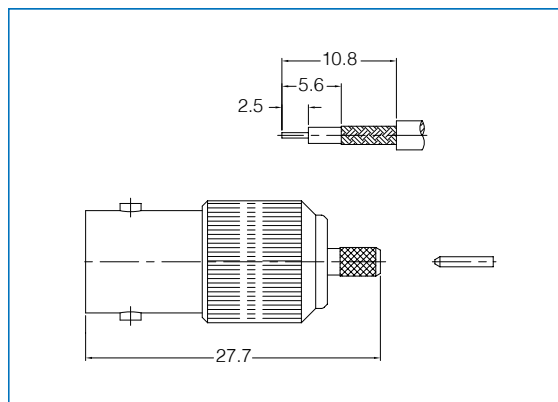
## Straight Jack, Crimp-Pin in Pin

CYF14A-AXXN01

Cable group : [01](#), [02](#), [03](#), [04](#), [05](#)

Impedance  $Y = 5 = 50 \text{ Ohm}$

$Y = 7 = 75 \text{ Ohm}$



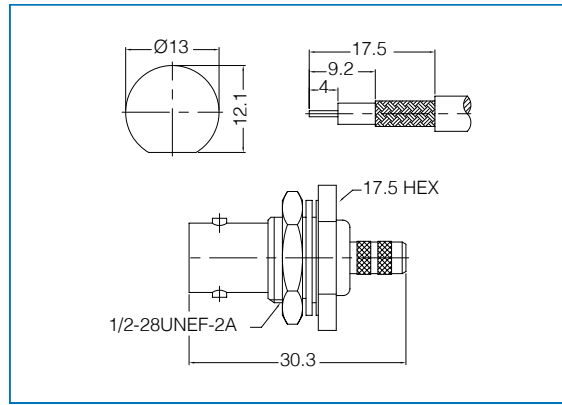
**Bulkhead Jack, Crimp**

**CYF31A-AXXN01**

Cable group : [06](#), [07](#), [08](#), [09](#), [10](#), [11](#), [12](#),  
[13](#), [14](#), [15](#), [16](#), [21](#), [22](#), [23](#), [25](#), [26](#), [27](#)

Impedance  $Y = 5 = 50 \text{ Ohm}$

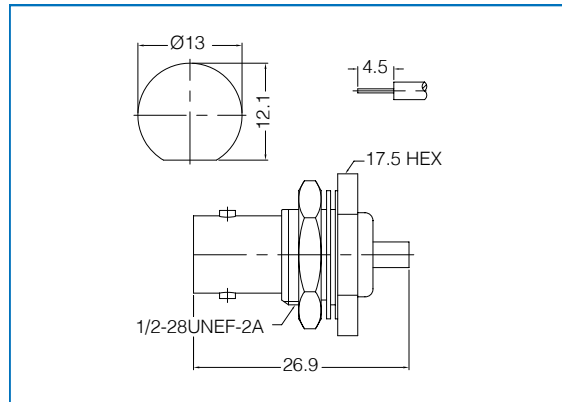
$Y = 7 = 75 \text{ Ohm}$



**Bulkhead Jack, Solder**

**C5F31B-AXXN01**

Cable group : [28](#), [29](#), [33](#)



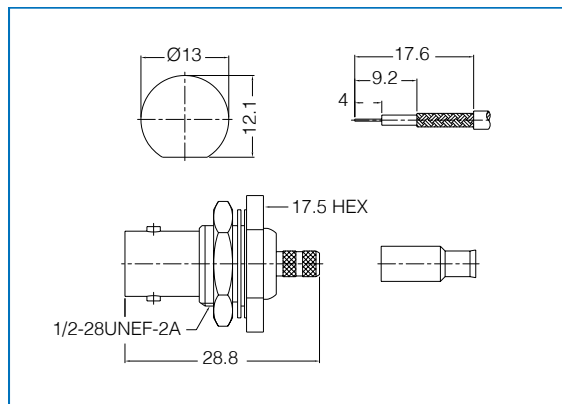
**Bulkhead Jack, Crimp with Delrin Sleeve**

**CYF31C-AXXN01**

Cable group : [02](#), [03](#), [04](#), [05](#)

Impedance  $Y = 5 = 50 \text{ Ohm}$

$Y = 7 = 75 \text{ Ohm}$



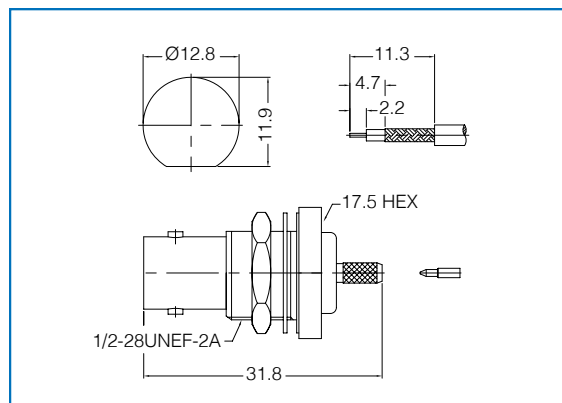
**Bulkhead Jack, Crimp-Pin in Pin**

**CYF32A-AXXN01**

Cable group : [01](#), [02](#), [03](#), [04](#), [05](#)

Impedance  $Y = 5 = 50 \text{ Ohm}$

$Y = 7 = 75 \text{ Ohm}$





### Twist-on Plug

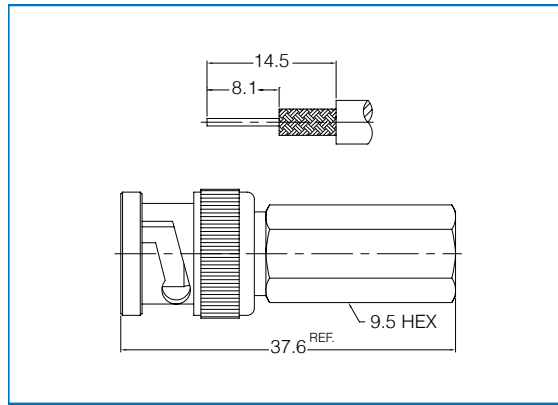
CYM16A-AXXN01

Cable group : [06](#), [09](#), [10](#), [11](#), [14](#)

\* Solid Center Conductor Only

Impedance  $Y = 5 = 50 \text{ Ohm}$

$Y = 7 = 75 \text{ Ohm}$



### Cable Groups

### Twist-on Jack

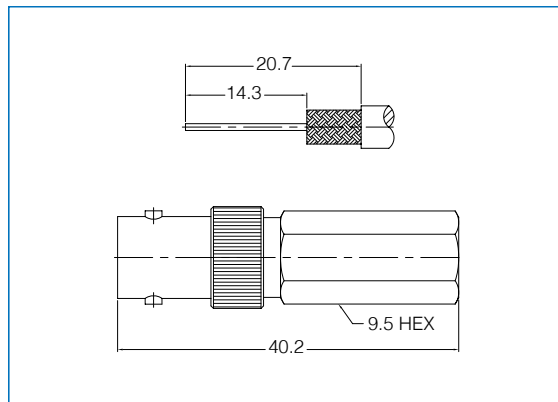
CYF16A-AXXN01

Cable group : [06](#), [09](#), [10](#), [11](#), [14](#)

\* Solid Center Conductor Only

Impedance  $Y = 5 = 50 \text{ Ohm}$

$Y = 7 = 75 \text{ Ohm}$



- A01 - 500 - RG-178, 198
- A02 - 500 - RG-174, 188A, 316, LMR100
- A03 - 750 - RG-179, 187
- A04 - 500 - RD-316/U
- A05 - 750 - RD-179/U
- A06 - 500 - RG-58, 58A, 58C, 141, LMR195
- A07 - 500 - RG-55, 142, 223, 400
- A08 - 500 - LMR200
- A09 - 500 - RG-59/U Plenum
- A10 - 750 - RG-59, 62
- A11 - 750 - Belden 1505A
- A12 - 750 - Belden 8281
- A13 - 750 - RG-59/U Quad Shield
- A14 - 750 - RG-59/U Plenum

- A15 - 750 - RG-6
- A16 - 500 - 8X, LMR240
- A17 - 500 - LMR400, Belden 9913
- A18 - 500 - RG-8, 8A, 9, 213, 214
- A19 - 750 - RG6/U, Quad
- A20 - 750 - RG-11
- A21 - 750 - Belden 1694A
- A22 - 750 - AT&T 734A
- A23 - 750 - AT&T 735A
- A24 - 500 - LMR800
- A25 - 750 - Belden 1695A
- A26 - 750 - Belden 8218
- A27 - 750 - BT-3002
- A28 - 500 - 0885R, RG-405/U

- A29 - 500 - 141SR, RG-402/U
- A30 - 500 - 1.3mm OD micro
- A31 - 500 - 1.32mm OD micro
- A32 - 500 - 1.37mm OD micro
- A33 - 500 - 047SR cable
- A34 - 750 - FLEX 2
- A35 - 750 - FLEX 3
- A37 - 750 - FLEX 5
- A38 - 500 - 30-2V
- A39 - 500 - 5D-2V
- A40 - 500 - 8D-2V
- A41 - 500 - 5D-FB, LMR300
- A42 - 500 - 1/4" Superflex
- A43 - 500 - 1/2" Superflex

### Straight Plug, Clamp

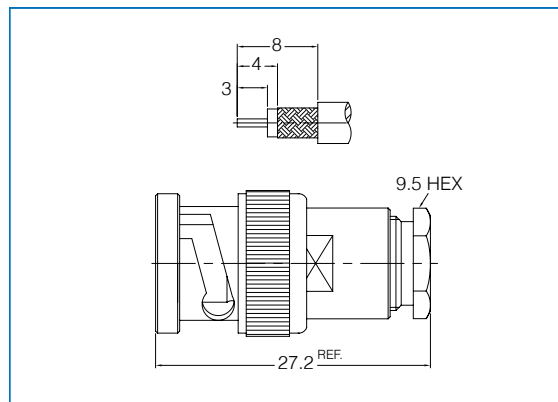
CYM17A-AXXN01

Cable group : [06](#), [10](#)

\* Solid Center Conductor Only

Impedance  $Y = 5 = 50 \text{ Ohm}$

$Y = 7 = 75 \text{ Ohm}$



### Straight Jack, Clamp

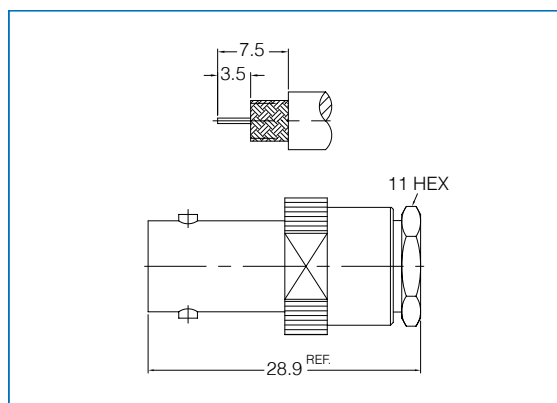
CYF17A-AXXN01

Cable group : [06](#), [10](#)

\* Solid Center Conductor Only

Impedance  $Y = 5 = 50 \text{ Ohm}$

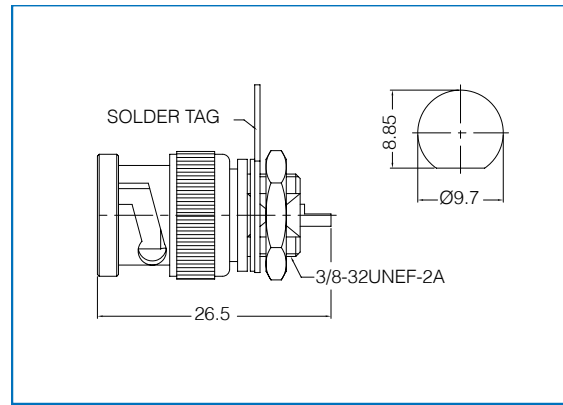
$Y = 7 = 75 \text{ Ohm}$



**Bulkhead Receptacle Plug**

CYM31A-RECN01

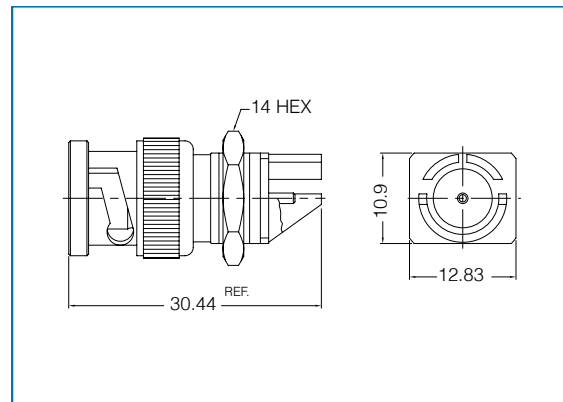
Impedance Y = 5 = 50 Ohm  
Y = 7 = 75 Ohm



**End Launch Receptacle Plug**

CYM31B-RECN01

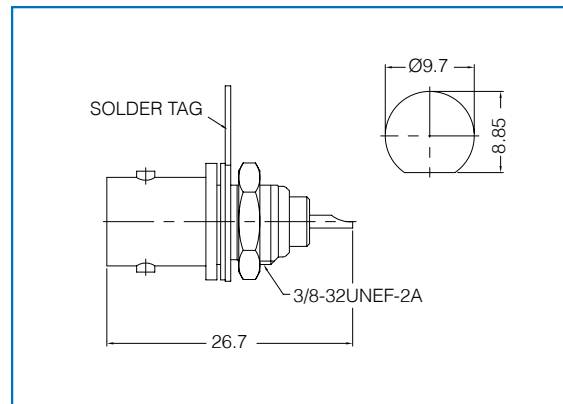
Impedance Y = 5 = 50 Ohm  
Y = 7 = 75 Ohm



**Bulkhead Receptacle Jack**

CYF31A-RECN01

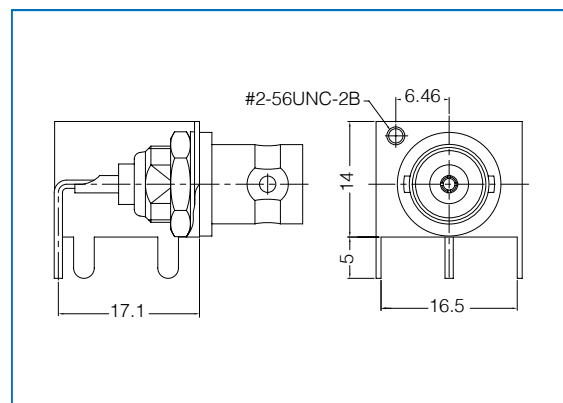
Impedance Y = 5 = 50 Ohm  
Y = 7 = 75 Ohm



**Bulkhead Receptacle Jack with Bracket**

C5F31B-TPCN01

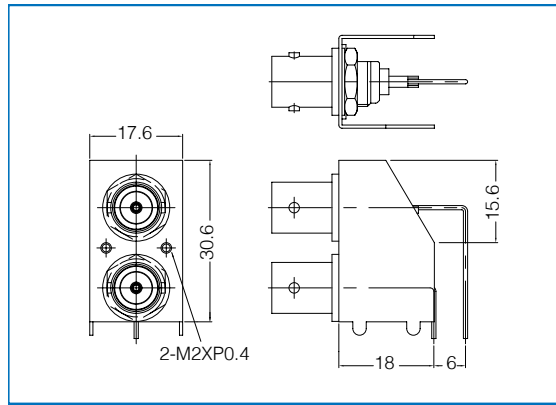
\* Material : Die Cast



### Dual BNC Bulkhead Receptacle Jack with Bracket

C7F32B-TPCN01

\* Material : Die Cast

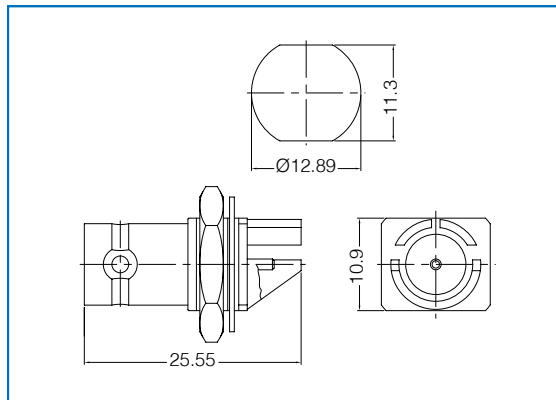


### End Launch Receptacle Jack

CYF31B-RECN01

Impedance  $Y = 5 = 50 \text{ Ohm}$

$Y = 7 = 75 \text{ Ohm}$

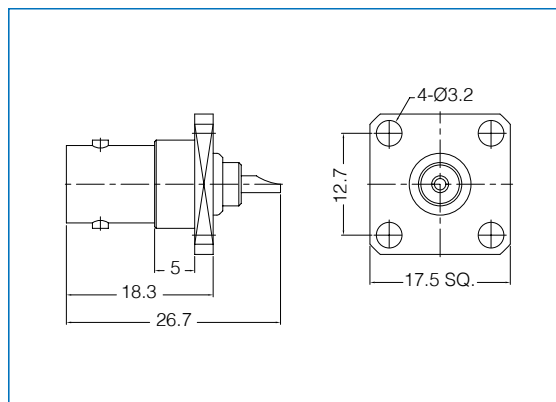


### Panel Receptacle Jack

CYF41A-4HLN01

Impedance  $Y = 5 = 50 \text{ Ohm}$

$Y = 7 = 75 \text{ Ohm}$

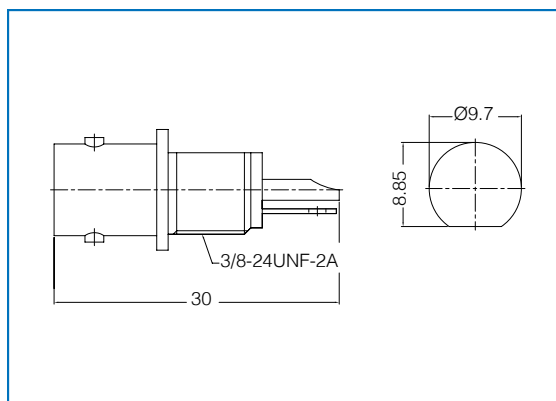


### Bulkhead Isolated Receptacle Jack

CYF32A-RECN01

Impedance  $Y = 5 = 50 \text{ Ohm}$

$Y = 7 = 75 \text{ Ohm}$



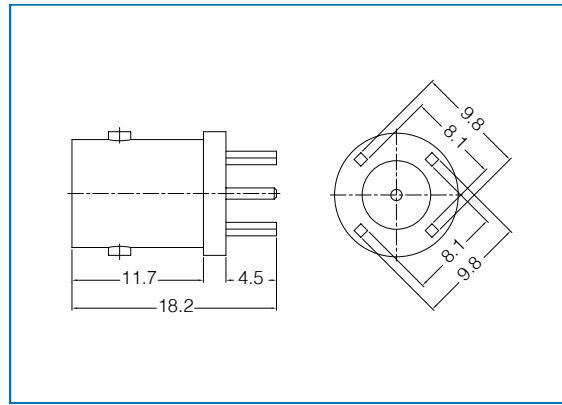
**Straight Jack, PCB Mount**

CYF11A-TPCN01

\* Mounting hole : "C"

Impedance  $Y = 5 = 50 \text{ Ohm}$

$Y = 7 = 75 \text{ Ohm}$



**Right Angle Jack, PCB Mount**

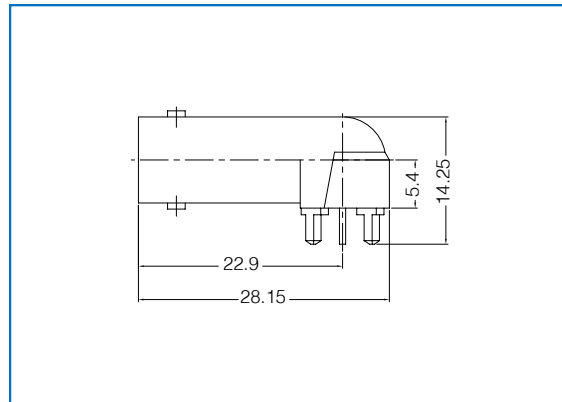
CYF21A-TPCN01

\* Mounting hole : "R"

\* Material : Die Cast

Impedance  $Y = 5 = 50 \text{ Ohm}$

$Y = 7 = 75 \text{ Ohm}$



**Bulkhead Right Angle Jack, PCB Mount**

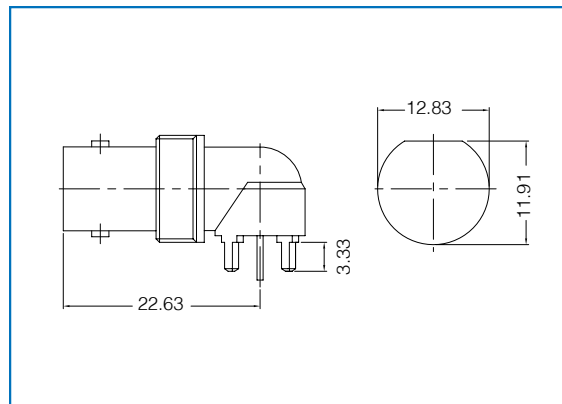
CYF22A-TPCN01

\* Mounting hole : "R"

\* Material : Die Cast

Impedance  $Y = 5 = 50 \text{ Ohm}$

$Y = 7 = 75 \text{ Ohm}$



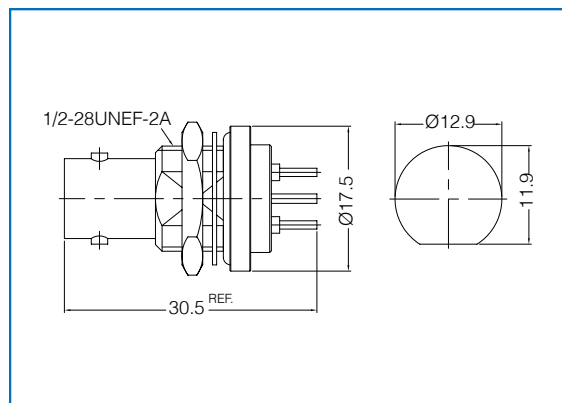
**Bulkhead PCB Mount Receptacle Jack**

CYF33A-TPCN01

\* Mounting hole : "W"

Impedance  $Y = 5 = 50 \text{ Ohm}$

$Y = 7 = 75 \text{ Ohm}$



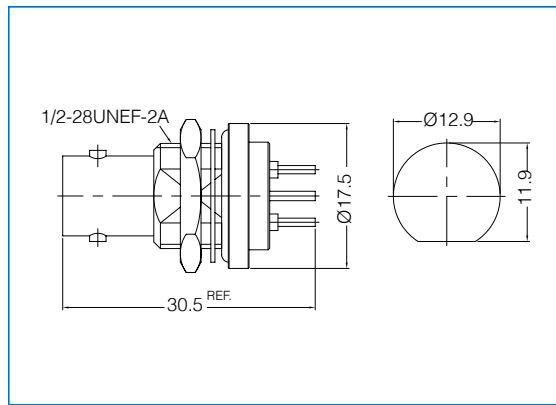
### Bulkhead PCB Mount Receptacle Jack, IP67

CYF33B-TPCN01

\* Mounting hole : "W"

Impedance  $Y = 5 = 50 \text{ Ohm}$

$Y = 7 = 75 \text{ Ohm}$

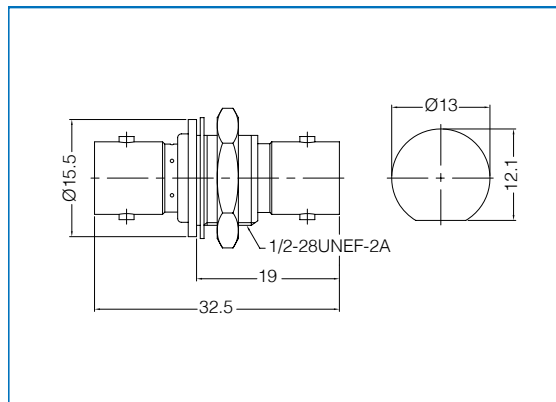


### Bulkhead Isolated Adapter, Jack to Jack

CYF31A-ADPN01

Impedance  $Y = 5 = 50 \text{ Ohm}$

$Y = 7 = 75 \text{ Ohm}$

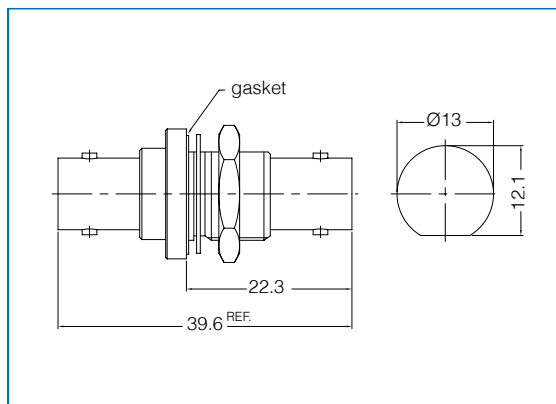


### Bulkhead Adapter, Jack to Jack

CYF32A-ADPN01

Impedance  $Y = 5 = 50 \text{ Ohm}$

$Y = 7 = 75 \text{ Ohm}$

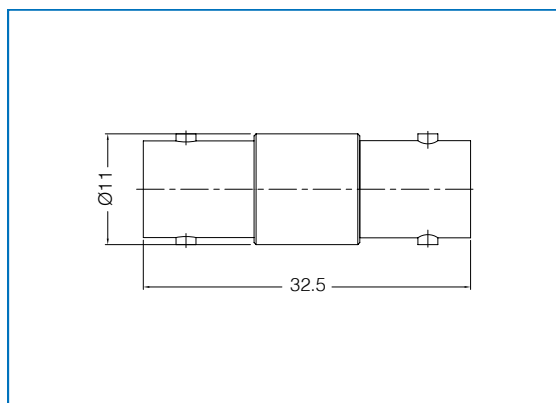


### Adapter, Jack to Jack

CYF11A-ADPN01

Impedance  $Y = 5 = 50 \text{ Ohm}$

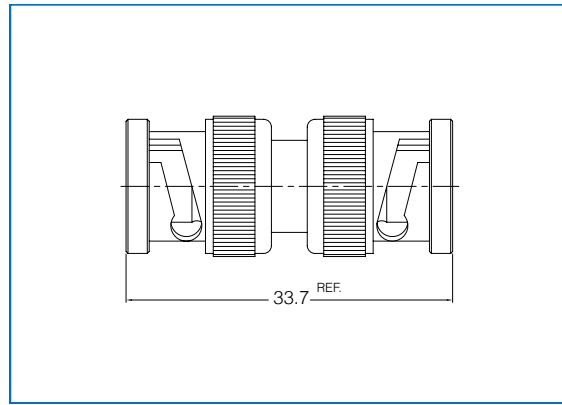
$Y = 7 = 75 \text{ Ohm}$



**Adapter, Plug to Plug**

CYM11A-ADPN01

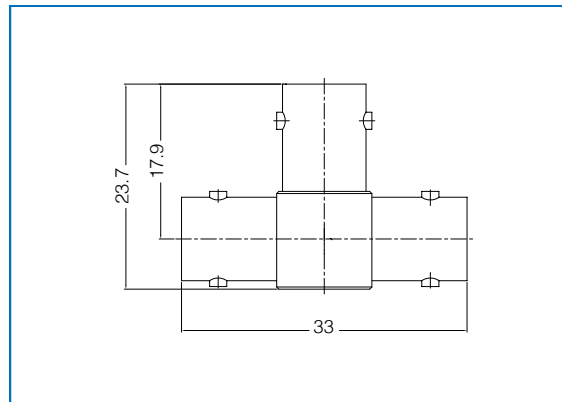
Impedance    Y = 5 = 50 Ohm  
                     Y = 7 = 75 Ohm



**“T” Adapter,  
Jack to Jack to Jack**

CYF51A-ADPN01

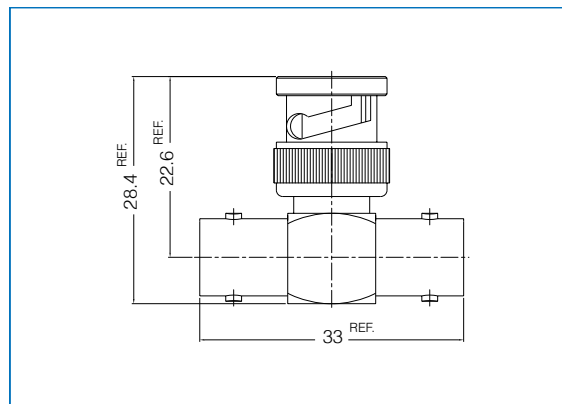
Impedance    Y = 5 = 50 Ohm  
                     Y = 7 = 75 Ohm



**“T” Adapter,  
Jack to Plug to Jack**

CYA51A-ADPN01

Impedance    Y = 5 = 50 Ohm  
                     Y = 7 = 75 Ohm

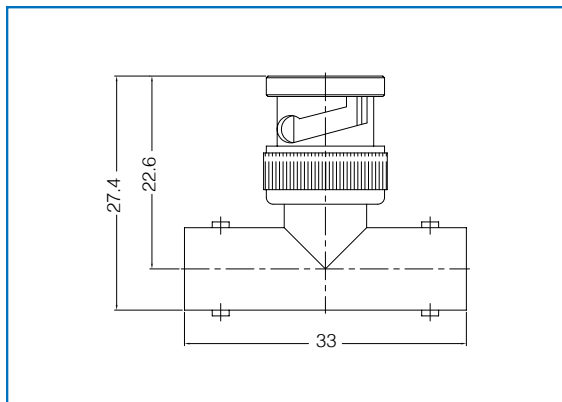


**“T” Adapter,  
Jack to Plug to Jack**

CYA52A-ADPN01

\* Material : Die Cast

Impedance    Y = 5 = 50 Ohm  
                     Y = 7 = 75 Ohm

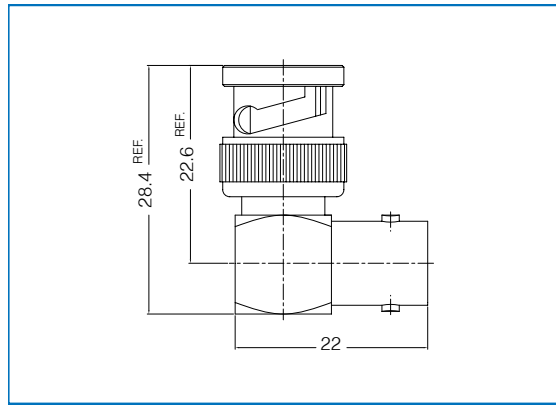


**Right Angle Adapter,  
Plug to Jack**

CYA21A-ADPN01

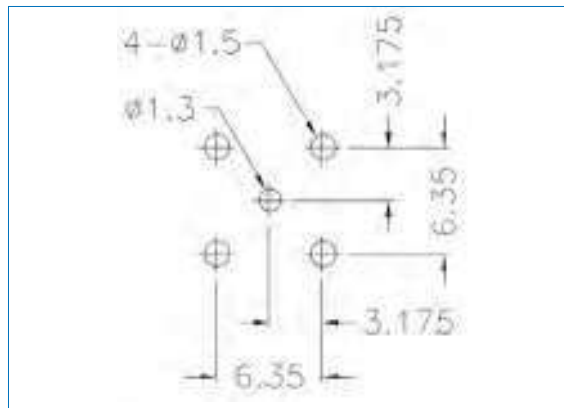
Impedance  $Y = 5 = 50 \text{ Ohm}$

$Y = 7 = 75 \text{ Ohm}$

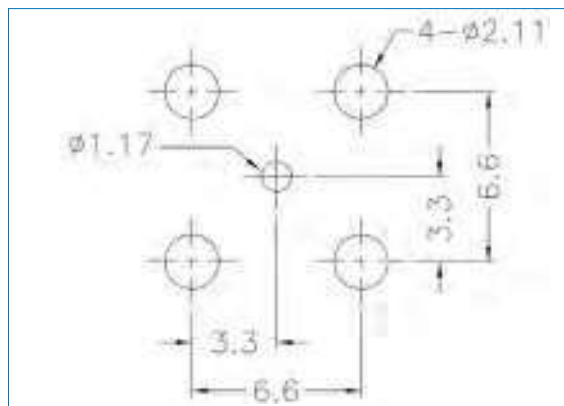


**PCB Layouts**

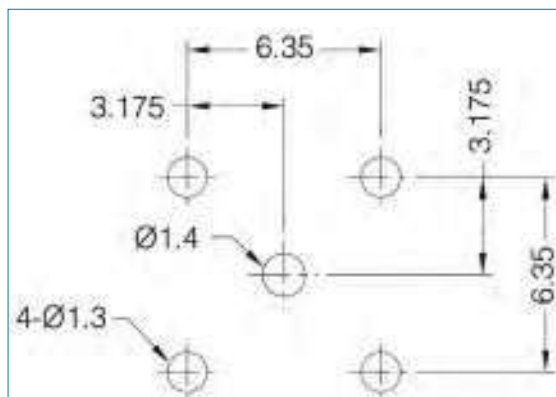
**Layout-C**



**Layout-R**



**Layout-W**







## TNC Series - T5 (50 Ω) / T7 (75 Ω)



### Features :

- Similar to BNC connector
- Threaded coupling interface
- Ideal in vibration-intensive applications
- 50Ω and 75Ω, connectors are available
- Delrin or Teflon insulator is optional
- Many cable choices available

### Applications :

- Antennas
- Telecom Base Stations
- In-Building Networks
- Telecom
- RFID Tag Antenna
- Instrumentation

## **ELECTRICAL SPECIFICATIONS**

<u>Impedance</u>	<u>50 <math>\Omega</math> / 75 <math>\Omega</math></u>
<u>Frequency Range</u>	<u>0 – 11 GHz / 0 – 3 GHz</u>
<u>Working Voltage</u>	<u><math>\geq</math> 500 VRMS</u>
<u>Dielectric Withstanding Voltage</u>	<u>1500 VRMS at sea level</u>
<u>VSWR</u>	<u>Straight : 1.15 max</u>
	<u>Right Angle : 1.2 max</u>
<u>Contact Resistance</u>	<u>Center Contact : <math>\leq</math> 1.5 m<math>\Omega</math></u>
	<u>Outer Contact : <math>\leq</math> 0.2 m<math>\Omega</math></u>
<u>Insulation Resistance</u>	<u>5,000 M<math>\Omega</math> min.</u>
<u>Insertion loss</u>	<u>0.2dB max.</u>

## **MATERIAL SPECIFICATIONS**

<u>Body and outer contacts</u>	<u>Brass, nickel plated</u>
<u>Male contact</u>	<u>Brass, gold plated</u>
<u>Female contact</u>	<u>Phosphor Bronze, gold plated</u>
<u>Insulator</u>	<u>Delrin or PTFE</u>
<u>Crimp ferrule</u>	<u>Copper or brass, nickel plated</u>

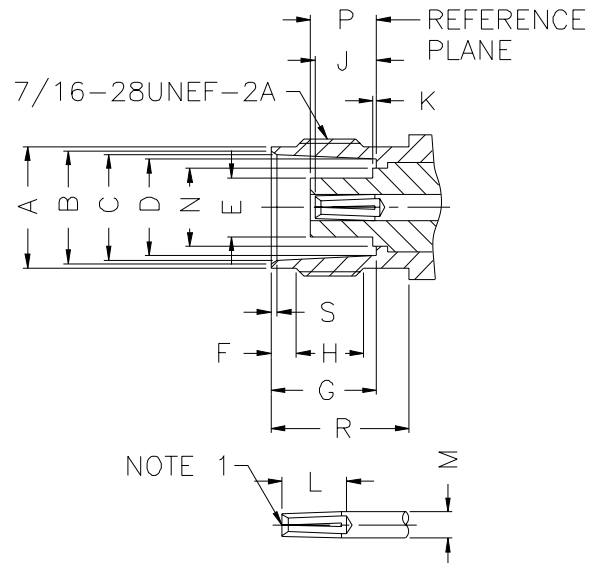
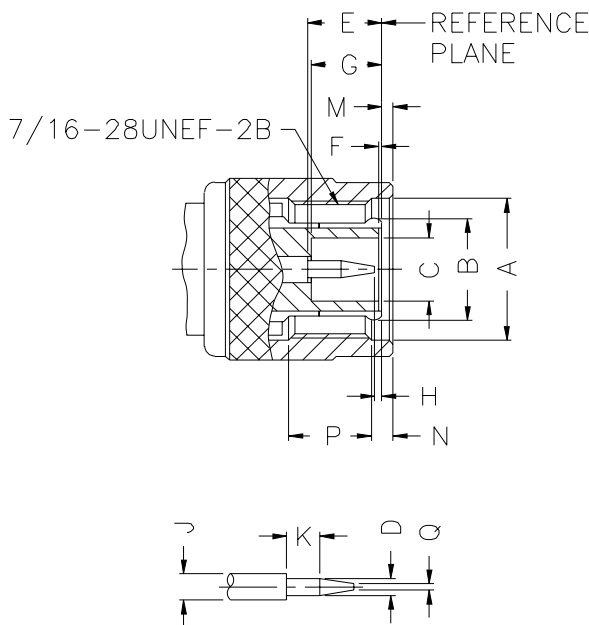
## **MECHANICAL SPECIFICATIONS**

<u>Coupling nut retention force</u>	<u>100 lbs</u>
<u>Center contact Retention</u>	<u><math>\geq</math> 6 lbs</u>
<u>Engagement force</u>	<u><math>\leq</math> 2 in-lbs</u>
<u>Disengagement force</u>	<u><math>\geq</math> 2 in-lbs</u>
<u>Cable retention</u>	<u>20 - 70 lbs</u>
<u>Durability (matings)</u>	<u>500 cycles min.</u>

## **ENVIRONMENTAL**

<u>Temperature Range</u>	<u>-65°C to +165°C</u>
--------------------------	------------------------

## INTERFACE MATING DIMENSIONS



NOTE 1

PLUG		
Letter	Millimeters	
	Minimum	Maximum
A	11.18	-
B	Flared To Meet Good Electrical Contact	
C	4.83	-
D	1.32	1.37
E	5.33	5.84
F	0.15	0.46
G	5.28	5.79
H	0.08	1.02
J	2.06	2.21
K	1.98	-
M	-	1.98
N	1.60	-
P	3.96	-
Q	-	0.64

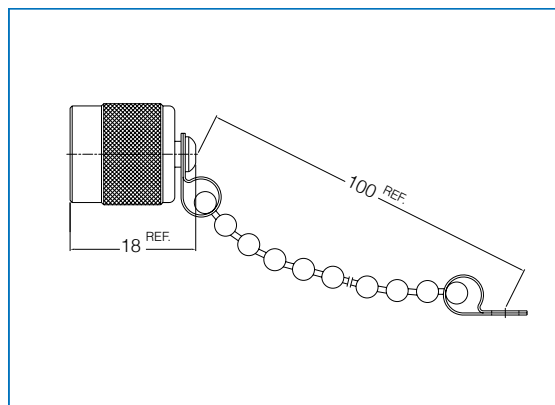
JACK		
Letter	Millimeters	
	Minimum	Maximum
A	9.60	9.70
B	8.79	9.04
C	8.31	8.46
D	8.10	8.15
E	-	4.72
F	1.73	2.24
G	8.31	8.51
H	4.75	-
J	4.72	5.23
K	-	0.15
L	4.95	-
M	2.06	2.21
N	-	6.50
P	4.78	5.28
R	10.52	-
S	0.38	0.76

**Note 1** : I.D. to meet VSWR and contact resistance when mated with 1.32/1.37 mm dia. pin.

**Male Cap with Chain**

T5M11A-TERN01

\* Chain Length : 100 mm



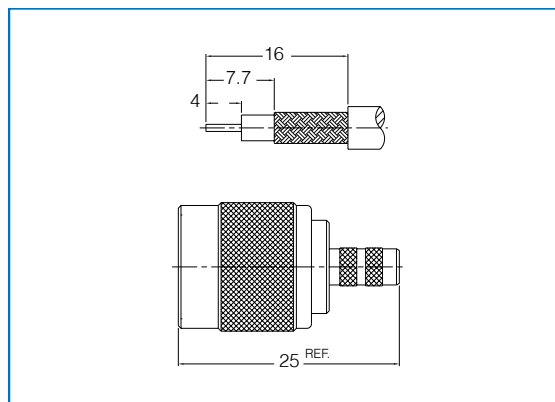
**Straight Plug, Crimp**

TYM11A-AXXN01

Cable group : 06, 07, 08, 09, 10, 11, 12, 16, 22, 23, 26, 27

Impedance  $Y = 5 = 50 \text{ Ohm}$

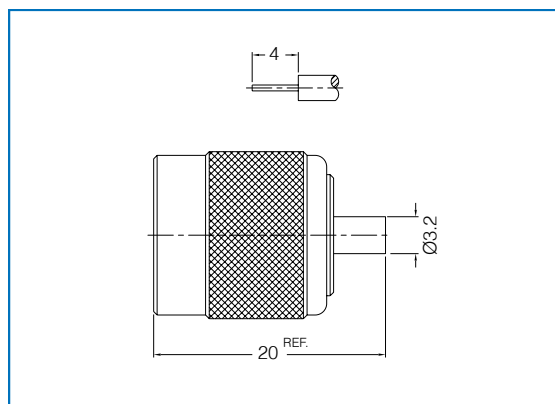
$Y = 7 = 75 \text{ Ohm}$



**Straight Plug, Solder**

T5M11B-AXXN01

Cable group : 28, 29, 33



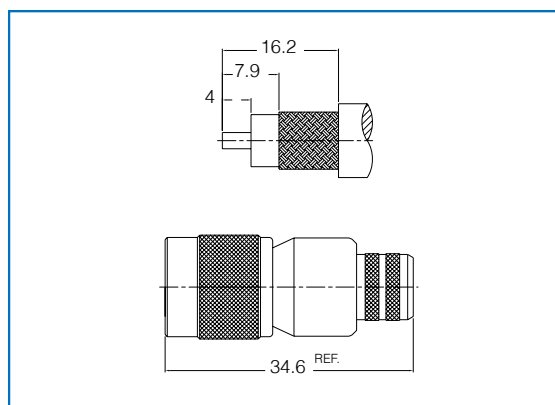
**Straight Plug, Crimp**

TYM11C-AXXN01

Cable group : 17, 18, 20

Impedance  $Y = 5 = 50 \text{ Ohm}$

$Y = 7 = 75 \text{ Ohm}$



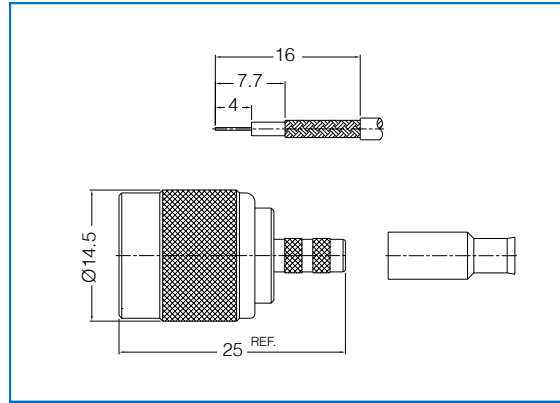
## Straight Plug, Crimp-with Delrin Sleeve

TYM11D-AXXN01

Cable group : [02](#), [03](#), [04](#), [05](#)

Impedance  $Y = 5 = 50 \text{ Ohm}$

$Y = 7 = 75 \text{ Ohm}$



Cable Groups

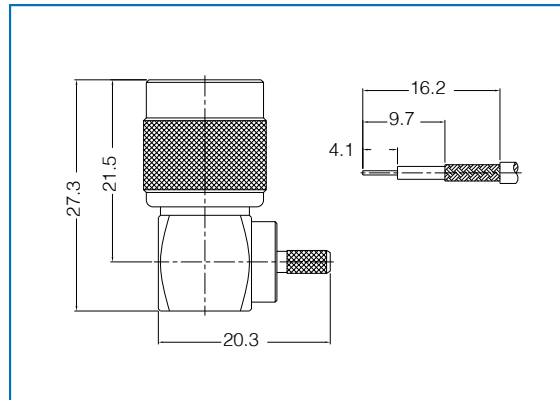
## Right Angle Plug, Crimp

TYM21A-AXXN01

Cable group : [02](#), [03](#), [04](#), [05](#), [06](#), [07](#), [08](#),  
[09](#), [10](#), [11](#), [12](#), [16](#), [22](#), [25](#), [26](#)

Impedance  $Y = 5 = 50 \text{ Ohm}$

$Y = 7 = 75 \text{ Ohm}$



A01 - 500 - RG-178, 196	A08 - 500 - LMR200	A15 - 750 - RG-6	A22 - 750 - AT&T 734A	A29 - 500 - 141SR, RG-402U	A37 - 750 - FLEX 5
A02 - 500 - RG-174, 188A, 316, LMR100	A09 - 500 - RG-59U Plenum	A16 - 500 - 8X, LMR240	A23 - 750 - AT&T 735A	A30 - 500 - 1.13mm OD micro	A38 - 500 - 3D-2V
A03 - 750 - RG-179, 187	A10 - 750 - RG-59, 62	A17 - 500 - LMR400, Belden 9913	A24 - 500 - LMR800	A31 - 500 - 1.32mm OD micro	A39 - 500 - 5D-2V
A04 - 500 - RD-316U	A11 - 750 - Belden 1505A	A18 - 500 - RG-8, 9A, 9, 213, 214	A25 - 750 - Belden 1695A	A32 - 500 - 1.37mm OD micro	A40 - 500 - 8D-2V
A05 - 750 - RD-179U	A12 - 750 - Belden 8281	A19 - 750 - RG6U, Quad	A26 - 750 - Belden 8218	A33 - 500 - 047SR cable	A41 - 500 - 5D-FB, LMR300
A06 - 500 - RG-58, 58A, 58C, 141, LMR195	A13 - 750 - RG-59U Quad Shield	A20 - 750 - RG-11	A27 - 750 - BT-3002	A34 - 750 - FLEX 2	A42 - 500 - 1/4" Superflex
A07 - 500 - RG-55, 142, 223, 400	A14 - 750 - RG-59U Plenum	A21 - 750 - Belden 1694A	A28 - 500 - 0885R, RG-405U	A35 - 750 - FLEX 3	A43 - 500 - 1/2" Superflex

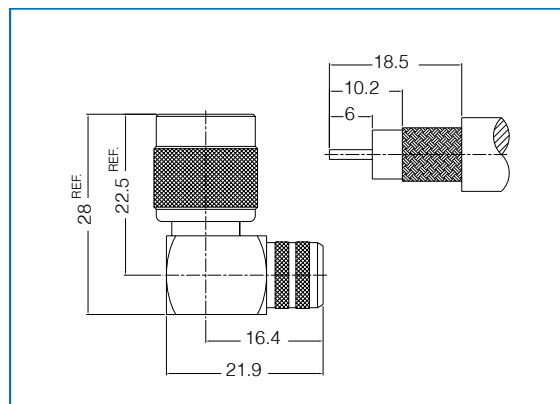
## Right Angle Plug, Crimp

TYM21C-AXXN01

Cable group : [17](#), [18](#), [20](#)

Impedance  $Y = 5 = 50 \text{ Ohm}$

$Y = 7 = 75 \text{ Ohm}$



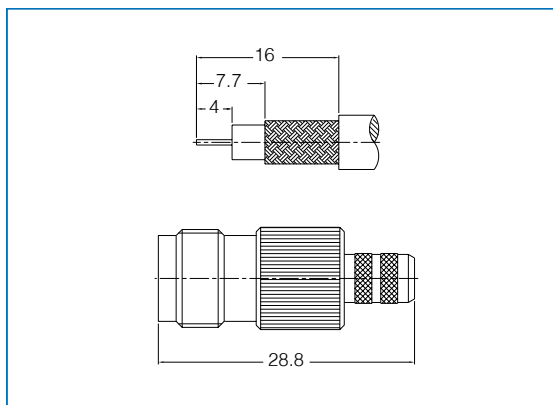
**Straight Jack, Crimp**

TYF11A-AXXN01

Cable group : 06, 07, 08, 09, 10, 11, 12, 16, 22, 23, 26, 27

Impedance Y = 5 = 50 Ohm

Y = 7 = 75 Ohm



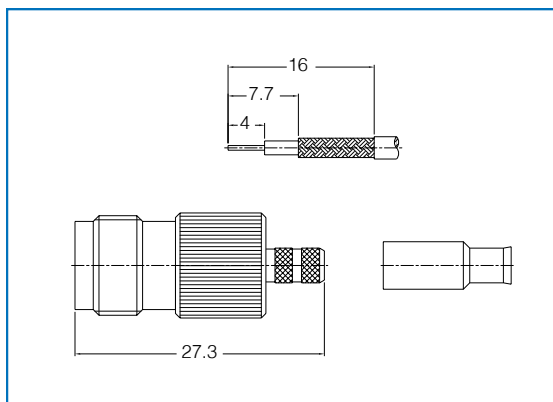
**Straight Jack, Crimp with Delrin Sleeve**

TYF11D-AXXN01

Cable group : 02, 03, 04, 05

Impedance Y = 5 = 50 Ohm

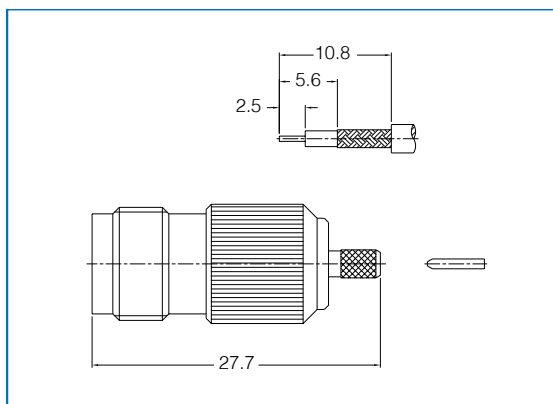
Y = 7 = 75 Ohm



**Straight Jack, Crimp-Pin in Pin**

T5F11B-AXXN01

Cable group : 01, 02, 03, 04, 05



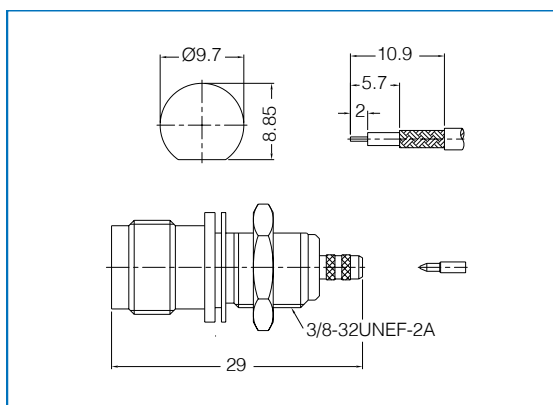
**Bulkhead Jack, Crimp-Front Mount**

TYF31A-AXXN01

Cable group : 02, 03, 04, 05

Impedance Y = 5 = 50 Ohm

Y = 7 = 75 Ohm



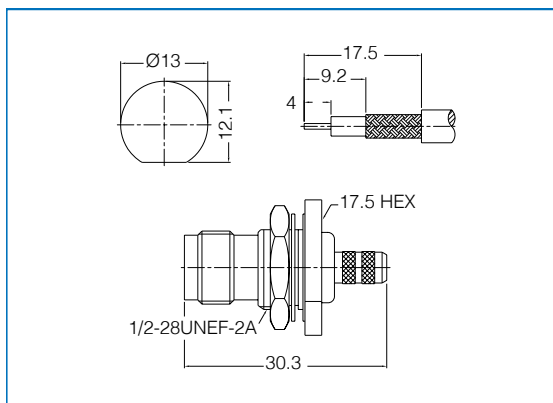
## Bulkhead Jack, Crimp

TYF31C-AXXN01

Cable group : [06](#), [07](#), [08](#), [09](#), [10](#), [11](#), [12](#),  
[16](#), [22](#), [23](#), [26](#), [27](#)

Impedance Y = 5 = 50 Ohm

Y = 7 = 75 Ohm



### Cable Groups

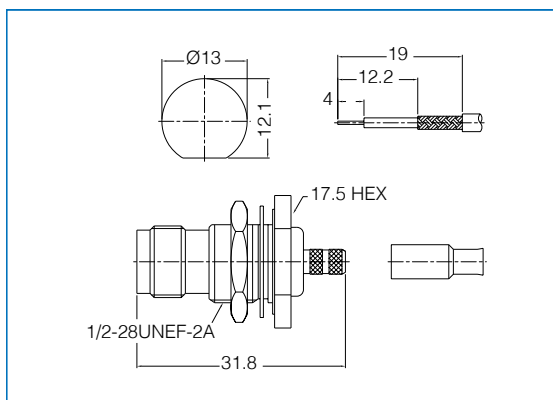
## Bulkhead Jack, Crimp with Delrin Sleeve

TYF31D-AXXN01

Cable group : [02](#), [03](#), [04](#), [05](#)

Impedance Y = 5 = 50 Ohm

Y = 7 = 75 Ohm

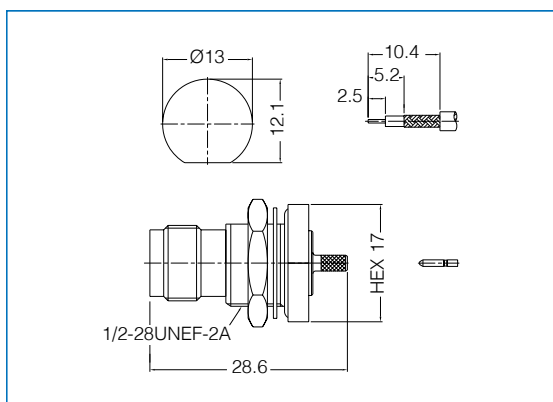


A01 - 500 - RG-178, 198  
A02 - 500 - RG-174, 188A, 316, LMR100  
A03 - 750 - RG-179, 187  
A04 - 500 - RD-316U  
A05 - 750 - RD-179U  
A06 - 500 - RG-58, 58A, 58C, 141, LMR195  
A07 - 500 - RG-55, 142, 223, 400  
A08 - 500 - LMR200  
A09 - 500 - RG-59U Plenum  
A10 - 750 - RG-59, 62  
A11 - 750 - Belden 1505A  
A12 - 750 - Belden 8281  
A13 - 750 - RG-59U Quad Shield  
A14 - 750 - RG-59U Plenum

## Bulkhead Jack, Crimp-Pin in Pin

T5F31B-AXXN01

Cable group : [01](#), [02](#), [03](#), [04](#), [05](#)



A15 - 750 - RG-6  
A16 - 500 - 8X, LMR240  
A17 - 500 - LMR400, Belden 9913  
A18 - 500 - RG-8, 8A, 9, 213, 214  
A19 - 750 - RG6U, Quad  
A20 - 750 - BT-3002  
A21 - 750 - Belden 1694A  
A22 - 750 - AT&T 734A  
A23 - 750 - AT&T 735A  
A24 - 500 - LMR800  
A25 - 750 - Belden 1695A  
A26 - 750 - Belden 8218  
A27 - 750 - BT-3002  
A28 - 500 - 0885, 0885RF, RG-405U  
A29 - 500 - 141SR, RG-402U  
A30 - 500 - 1.13mm OD micro  
A31 - 500 - 1.32mm OD micro  
A32 - 500 - 1.37mm OD micro  
A33 - 500 - 047SR cable  
A34 - 750 - FLEX 2  
A35 - 750 - FLEX 3  
A37 - 750 - FLEX 5  
A38 - 500 - 3D-2V  
A39 - 500 - 5D-2V  
A40 - 500 - 8D-2V  
A41 - 500 - 5D-FB, LMR300  
A42 - 500 - 1/4" Superflex  
A43 - 500 - 1/2" Superflex

**Twist-on Plug**

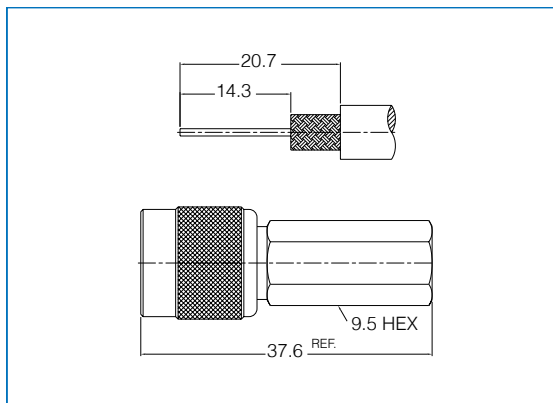
TYM12A-AXXN01

Cable group : 06, 10

\* Solid Center Conductor Only

Impedance    Y = 5 = 50 Ohm

Y = 7 = 75 Ohm



**Twist-on Jack**

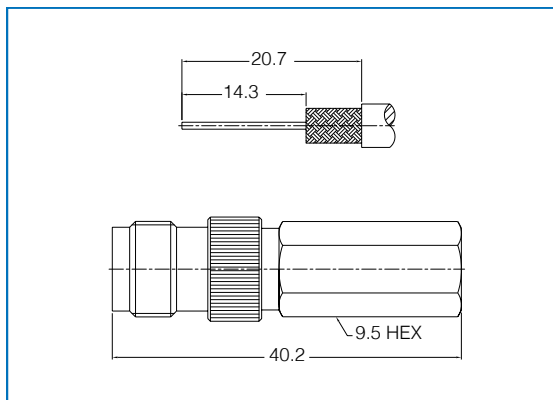
TYF13A-AXXN01

Cable group : 06, 10

\* Solid Center Conductor Only

Impedance    Y = 5 = 50 Ohm

Y = 7 = 75 Ohm



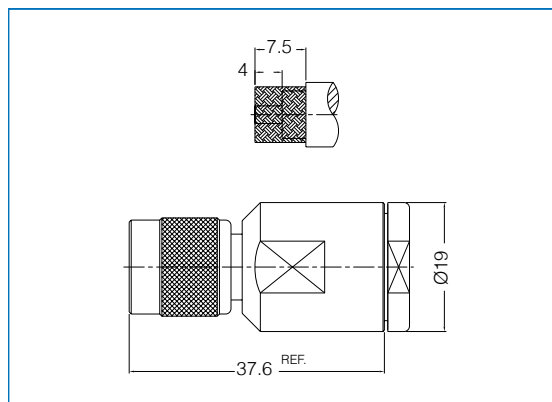
**Straight Plug, Clamp**

TYM14A-AXXN01

Cable group : 17, 18, 20

Impedance    Y = 5 = 50 Ohm

Y = 7 = 75 Ohm



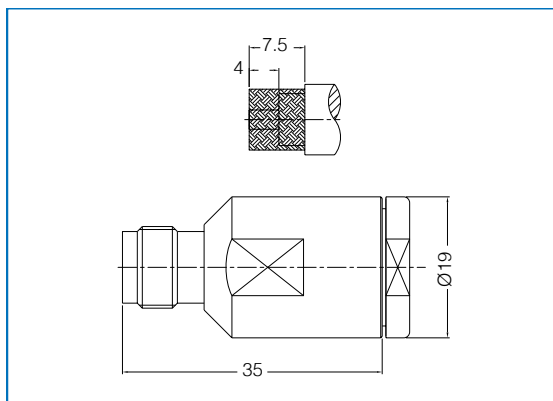
**Straight Jack, Clamp**

TYF14A-AXXN01

Cable group : 17, 18, 20

Impedance    Y = 5 = 50 Ohm

Y = 7 = 75 Ohm



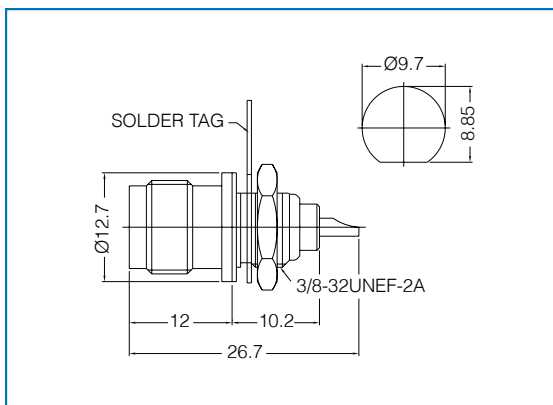


## Bulkhead Jack, Receptacle

**TYF31A-RECNO1**

Impedance    Y = 5 = 50 Ohm

Y = 7 = 75 Ohm



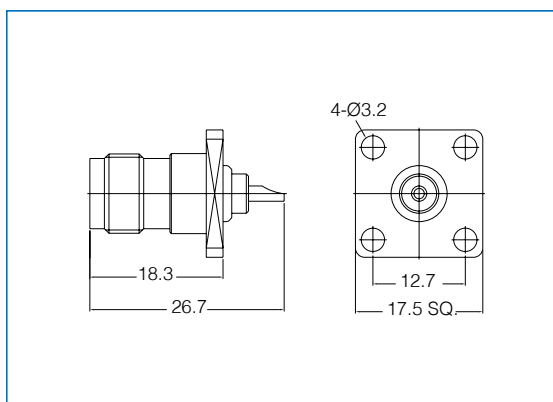
Cable Groups

## Panel Jack, Receptacle 4 Hole Flange

**TYF41A-4HNLN01**

Impedance    Y = 5 = 50 Ohm

Y = 7 = 75 Ohm



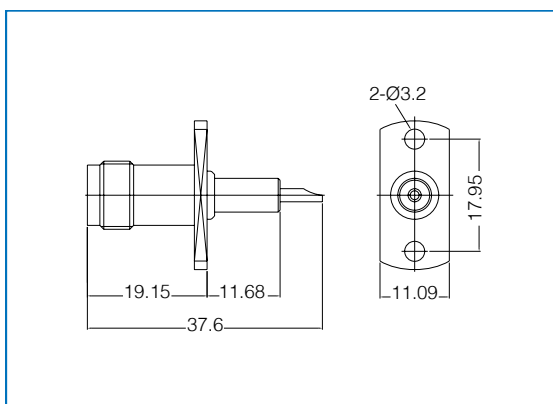
A01 - 500 - RG-178, 196  
A02 - 500 - RG-174, 188A, 316, LMR100  
A03 - 750 - RG-179, 187  
A04 - 500 - RD-316U  
A05 - 750 - RD-179U  
A06 - 500 - RG-58, 58A, 58C, 141, LMR195  
A07 - 500 - RG-55, 142, 223, 400  
A08 - 500 - LMR200  
A09 - 500 - RG-59U Plenum  
A10 - 750 - RG-59, 62  
A11 - 750 - Belden 1505A  
A12 - 750 - Belden 8281  
A13 - 750 - RG-59U Quad Shield  
A14 - 750 - RG-59U Plenum

## Panel Jack, Receptacle 2 Hole Flange

**TYF11A-2HNLN01**

Impedance    Y = 5 = 50 Ohm

Y = 7 = 75 Ohm



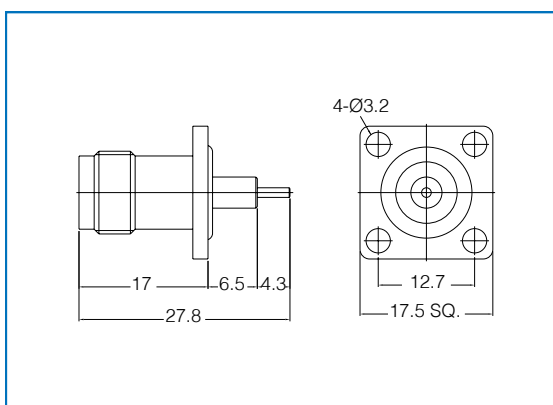
A15 - 750 - RG-6  
A16 - 500 - 8X, LMR240  
A17 - 500 - LMR400, Belden 9913  
A18 - 500 - RG-8, 8A, 9, 213, 214  
A19 - 750 - RG6U, Quad  
A20 - 750 - RG-11  
A21 - 750 - Belden 1694A  
A22 - 750 - AT&T 734A  
A23 - 750 - AT&T 735A  
A24 - 500 - LMR800  
A25 - 750 - Belden 1695A  
A26 - 750 - Belden 8218  
A27 - 750 - BT-3002  
A28 - 500 - 0885, 0885RF, RG-405U

## Panel Jack, with O-ring 4 Hole Flange

**TYF42A-4HNLN01**

Impedance    Y = 5 = 50 Ohm

Y = 7 = 75 Ohm



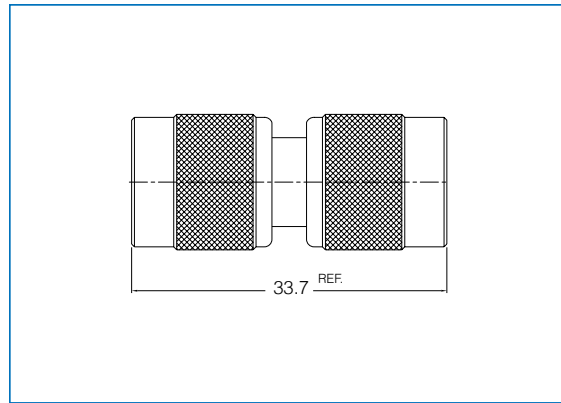
A29 - 500 - 141SR, RG-402U  
A30 - 500 - 1.13mm OD micro  
A31 - 500 - 1.32mm OD micro  
A32 - 500 - 1.37mm OD micro  
A33 - 500 - 047SR cable  
A34 - 750 - FLEX 2  
A35 - 750 - FLEX 3  
A37 - 750 - FLEX 5  
A38 - 500 - 30-2V  
A39 - 500 - 50-2V  
A40 - 500 - 80-2V  
A41 - 500 - 50-FB, LMR300  
A42 - 500 - 1/4" Superflex  
A43 - 500 - 1/2" Superflex

TNC

**Adapter, Plug to Plug**

TYM11A-ADPN01

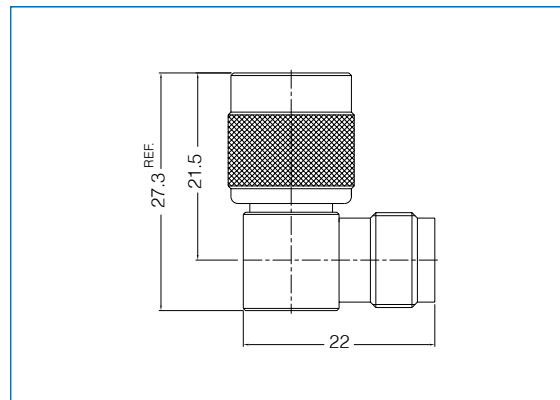
Impedance  $\underline{Y = 5 = 50 \text{ Ohm}}$   
 $\underline{Y = 7 = 75 \text{ Ohm}}$



**Right Angle Adapter, Plug to Jack**

TYA21A-ADPN01

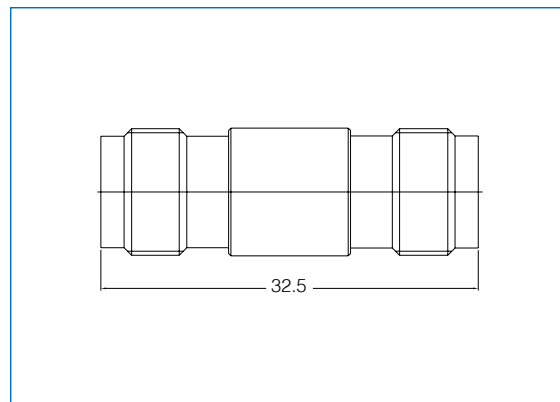
Impedance  $\underline{Y = 5 = 50 \text{ Ohm}}$   
 $\underline{Y = 7 = 75 \text{ Ohm}}$



**Adapter, Jack to Jack**

TYF11A-ADPN01

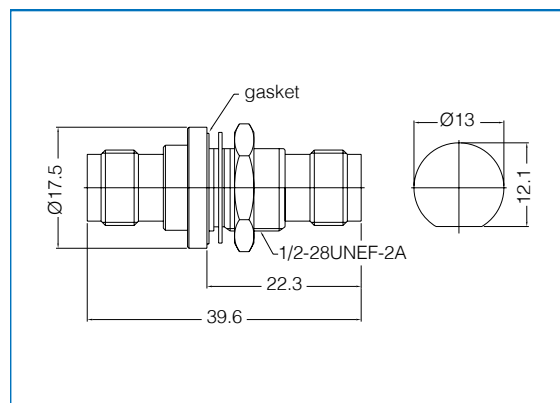
Impedance  $\underline{Y = 5 = 50 \text{ Ohm}}$   
 $\underline{Y = 7 = 75 \text{ Ohm}}$



**Bulkhead Adapter, Jack to Jack**

TYF31A-ADPN01

Impedance  $\underline{Y = 5 = 50 \text{ Ohm}}$   
 $\underline{Y = 7 = 75 \text{ Ohm}}$

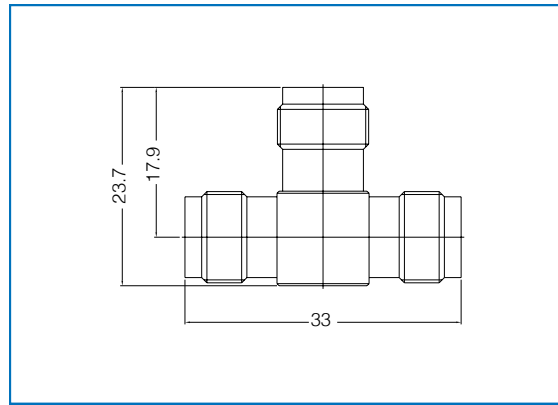


**“T” Adapter,  
Jack to Jack to Jack**

TYF51A-ADPN01

Impedance    Y = 5 = 50 Ohm

Y = 7 = 75 Ohm

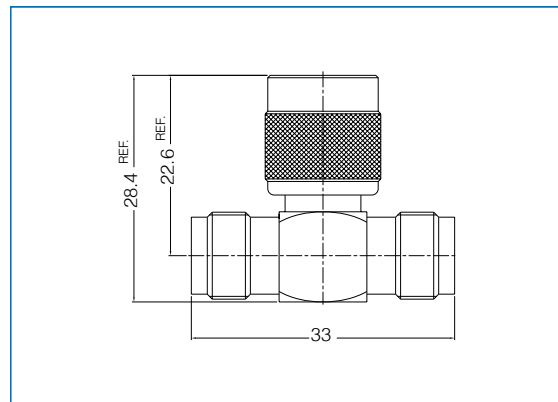


**“T” Adapter,  
Jack to Plug to Jack**

TYA51A-ADPN01

Impedance    Y = 5 = 50 Ohm

Y = 7 = 75 Ohm





## N Series - N5 (50 Ω) / N7 (75 Ω)



### FEATURES :

- Wide range of coaxial cable choices
- Threaded coupling ensures
- Handles more power than TNC
- Water tight to IP67 when mated
- Option for Crimp and Clamp

### APPLICATIONS :

- Telecom Base Stations
- In-Building Networks
- Instrumentation
- Telecom
- Radios & Antenna
- Cellular Antennas
- Broadcasting
- Military Radios & Radar

## ***ELECTRICAL SPECIFICATIONS***

<u>Impedance</u>	<u>50 <math>\Omega</math> / 75 <math>\Omega</math></u>
<u>Frequency Range</u>	<u>0 – 11 GHz / 0 – 3 GHz</u>
<u>Working Voltage</u>	<u><math>\leq</math> 1500 VRM</u>
<u>Dielectric Withstanding Voltage</u>	<u>2500 VRMS</u>
<u>VSWR</u>	<u>Straight : 1.15 max</u>
	<u>Right Angle : 1.2 max</u>
<u>Contact Resistance</u>	<u>Center Contact : <math>\leq</math> 1 m<math>\Omega</math></u>
	<u>Outer Contact : <math>\leq</math> 0.2 m<math>\Omega</math></u>
<u>Insulator Resistance</u>	<u>5000 M<math>\Omega</math> min.</u>

## ***MATERIAL SPECIFICATIONS***

<u>Body and outer contacts</u>	<u>Brass, nickel or silver or Albaloy plated</u>
<u>Male contact</u>	<u>Brass, gold plated</u>
<u>Female contact</u>	<u>P. Bronze or Beryllium Copper, gold or silver plated</u>
<u>Insulator</u>	<u>PTFE</u>
<u>Crimp ferrule</u>	<u>Copper or brass, nickel or silver or Albaloy plated</u>

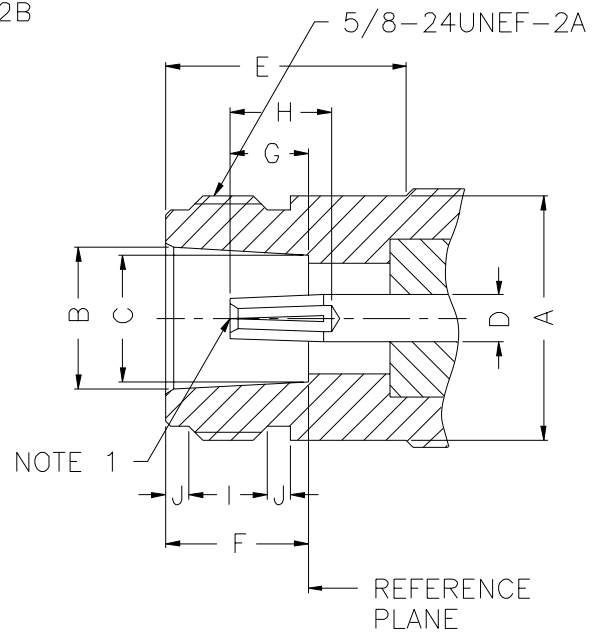
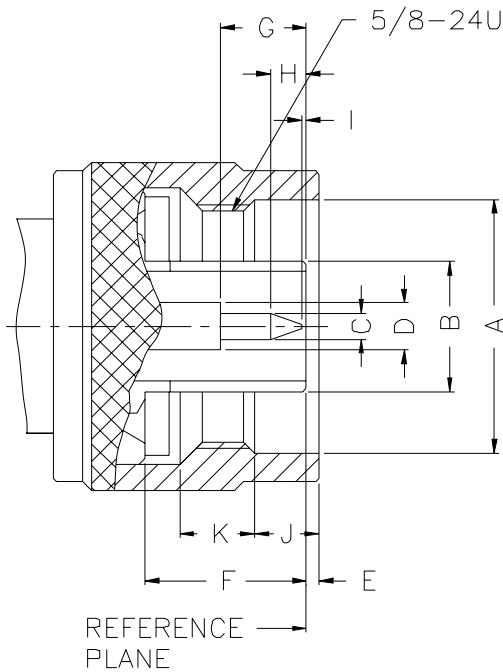
## ***MECHANICAL SPECIFICATIONS***

<u>Coupling mating torque</u>	<u>6 – 10 in-lbs</u>
<u>Cable Retention</u>	<u>60 lbs min.</u>
<u>Durability (matings)</u>	<u>500 cycles min.</u>

## ***ENVIRONMENTAL***

<u>Temperature Range</u>	<u>-65°C to +165°C</u>
--------------------------	------------------------

## INTERFACE MATING DIMENSIONS



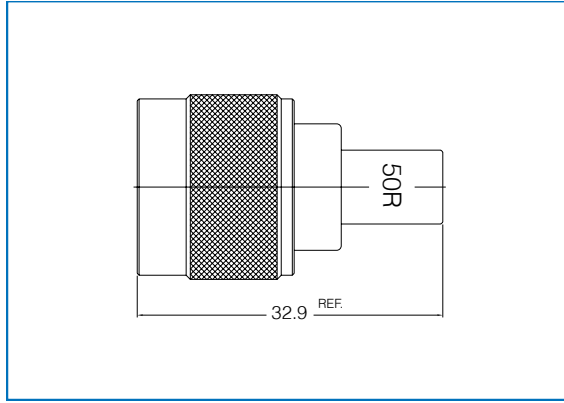
PLUG		
Letter	Millimeters	
	Minimum	Maximum
A	16.00	-
B	-	8.38
C	1.60	1.68
D	3.00	3.15
E	0.41	1.52
F	10.11	10.46
G	5.33	5.84
H	3.30	4.32
I	0.08	-
J	4.01	4.27
K	4.50	5.00

JACK		
Letter	Millimeters	
	Minimum	Maximum
A	-	15.93
B	8.53	8.74
C	8.03	8.13
D	3.00	3.15
E	10.72	-
F	9.04	9.19
G	4.75	5.26
H	5.33	-
I	4.37	5.13
J	1.19	1.96

**Note 1** : I.D. to meet VSWR and contact resistance when mated with 1.6/1.68 mm dia. pin.

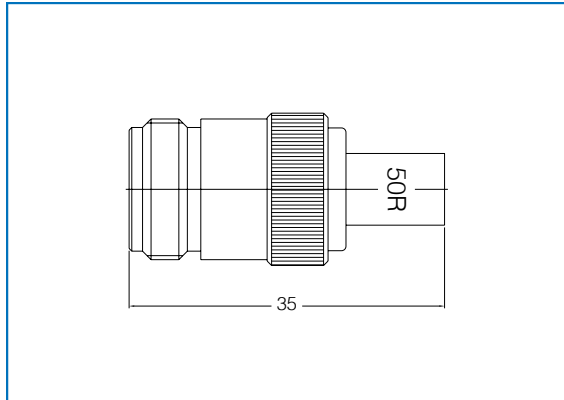
**Terminator Plug**  
**1 Watt**

N5M11A-TERN01



**Terminator Jack**  
**1 Watt**

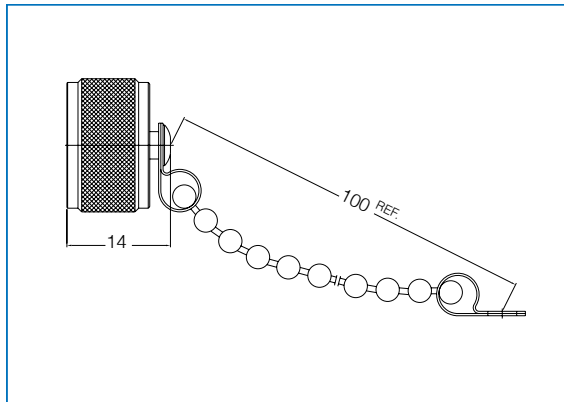
N5F11A-TERN01



**Male Cap with Chain**

N5M12A-TERN01

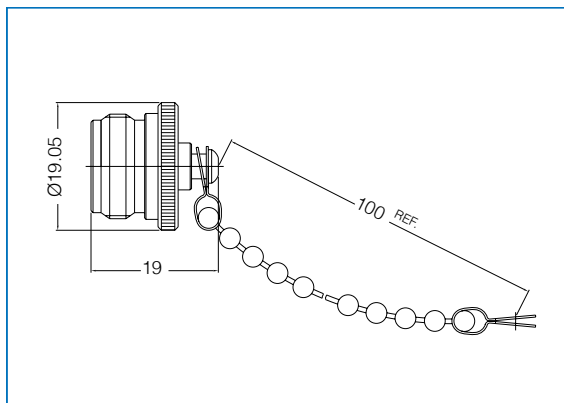
\* Chain Length : 100mm



**Female Cap with Chain**

N5F12A-TERN01

\* Chain Length : 100mm

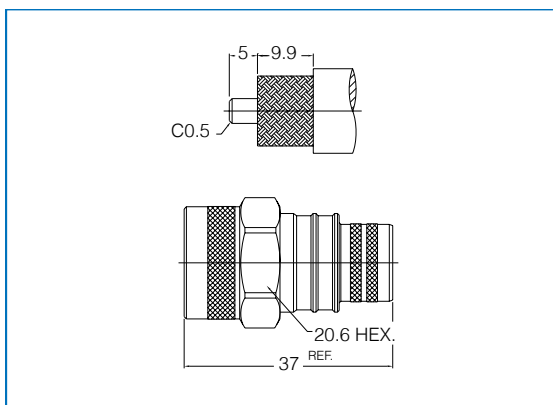




### Straight Plug, Crimp

N5M12A-AXXN01

Cable group : [24](#)



Cable Groups

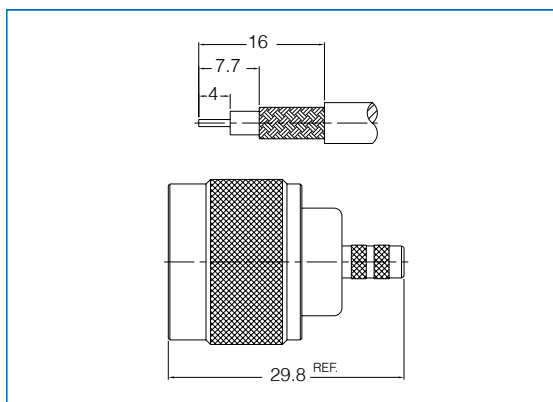
### Straight Plug, Crimp

NYM11A-AXXN01

Cable group : [06](#), [07](#), [08](#), [09](#), [10](#), [11](#), [12](#),  
[13](#), [14](#), [15](#), [16](#), [17](#), [18](#)

Impedance  $Y = 5 = 50 \text{ Ohm}$

$Y = 7 = 75 \text{ Ohm}$

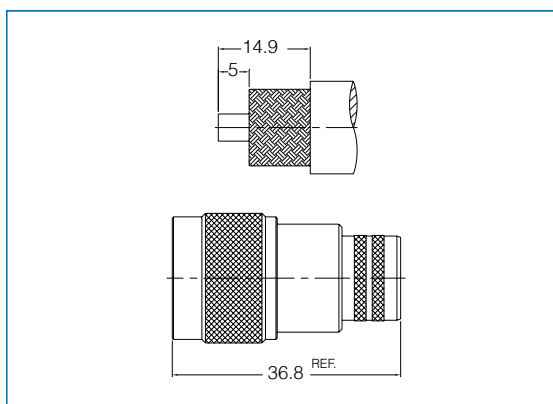


A01 - 500 - RG-178, 198  
A02 - 500 - RG-174, 188A, 316, LMR100  
A03 - 750 - RG-179, 187  
A04 - 500 - RD-316U  
A05 - 750 - RD-179U  
A06 - 500 - RG-58, 58A, 58C, 141, LMR195  
A07 - 500 - RG-55, 142, 223, 400  
A08 - 500 - LMR200  
A09 - 500 - RG-59U Plenum  
A10 - 750 - RG-59, 62  
A11 - 750 - Belden 1505A  
A12 - 750 - Belden 8281  
A13 - 750 - RG-59U Quad Shield  
A14 - 750 - RG-59U Plenum

### Straight Plug, Crimp

N5M12B-AXXN01

Cable group : [24](#)



A15 - 750 - RG-6  
A16 - 500 - 8X, LMR240  
A17 - 500 - LMR400, Belden 9913  
A18 - 500 - RG-8, 8A, 9, 213, 214  
A19 - 750 - RG6U, Quad  
A20 - 750 - RG-11  
A21 - 750 - Belden 1694A  
A22 - 750 - AT&T 734A  
A23 - 750 - AT&T 735A  
A24 - 500 - LMR600  
A25 - 750 - Belden 1695A  
A26 - 750 - Belden 8218  
A27 - 750 - BT-3002  
A28 - 500 - 0885, 0885R, RG-405U

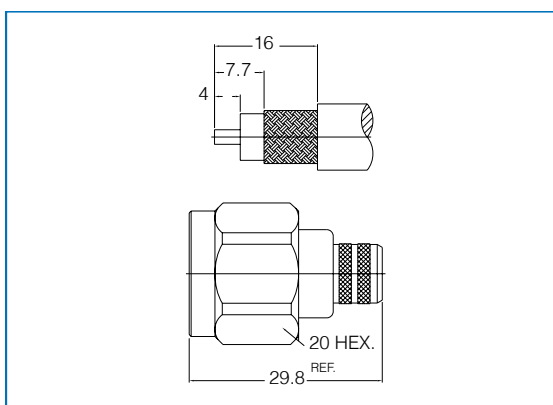
### Straight Plug, Crimp

NYM11B-AXXN01

Cable group : [06](#), [07](#), [08](#), [09](#), [10](#), [11](#), [12](#),  
[13](#), [14](#), [15](#), [16](#), [17](#), [18](#)

Impedance  $Y = 5 = 50 \text{ Ohm}$

$Y = 7 = 75 \text{ Ohm}$

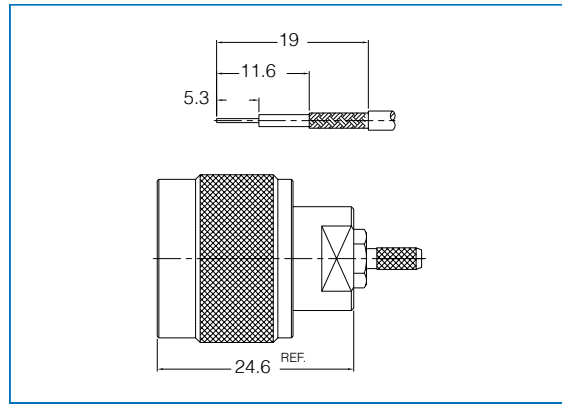


A29 - 500 - 141SR, RG-402U  
A30 - 500 - 1.13mm OD micro  
A31 - 500 - 1.32mm OD micro  
A32 - 500 - 1.37mm OD micro  
A33 - 500 - 047SR cable  
A34 - 750 - FLEX 2  
A35 - 750 - FLEX 3  
A37 - 750 - FLEX 5  
A38 - 500 - 30-2V  
A39 - 500 - 5D-2V  
A40 - 500 - 8D-2V  
A41 - 500 - 5D-FB, LMR300  
A42 - 500 - 1/4" Superflex  
A43 - 500 - 1/2" Superflex

**Straight Plug, Crimp**

N5M13B-AXXN01

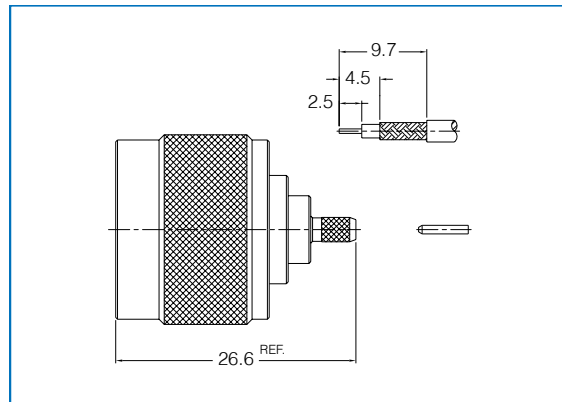
Cable group : 02, 04



**Straight Plug, Crimp-Pin in Pin**

N5M14A-AXXN01

Cable group : 02, 04



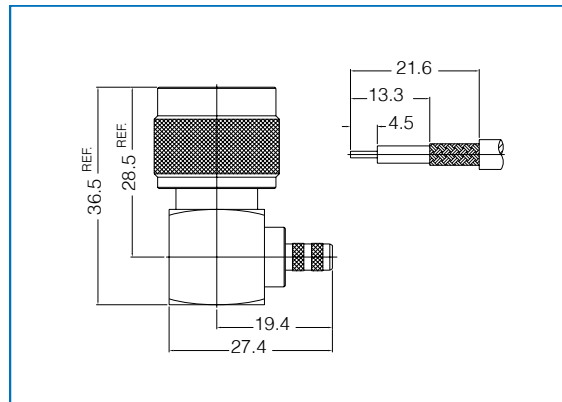
**Right Angle Plug, Crimp**

NYM21A-AXXN01

Cable group : 02, 03, 04, 05, 06, 07, 08, 09, 10, 11, 12, 13, 14, 15, 16

Impedance Y = 5 = 50 Ohm

Y = 7 = 75 Ohm



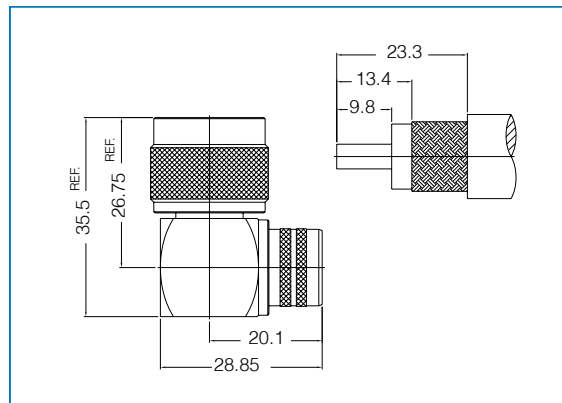
**Right Angle Plug, Crimp**

NYM21B-AXXN01

Cable group : 17, 18, 20, 24

Impedance Y = 5 = 50 Ohm

Y = 7 = 75 Ohm



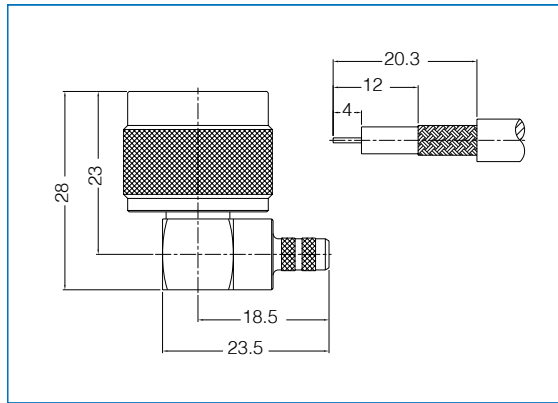
## Right Angle Plug, Crimp

**NYM21C-AXXN01**

Cable group : [06, 07, 08, 09, 10, 11, 12, 16](#)

Impedance Y = 5 = 50 Ohm

Y = 7 = 75 Ohm



Cable Groups

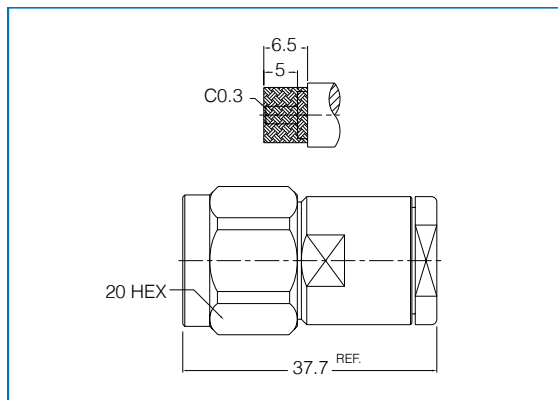
## Straight Plug, Clamp

**NYM15A-AXXN01**

Cable group : [17, 18, 20](#)

Impedance Y = 5 = 50 Ohm

Y = 7 = 75 Ohm



A01 - 500 - RG-178, 196  
A02 - 500 - RG-174, 188A, 316, LMR100  
A03 - 750 - RG-179, 187  
A04 - 500 - RD-316/U  
A05 - 750 - RD-179/U  
A06 - 500 - RG-58, 58A, 58C, 141, LMR195  
A07 - 500 - RG-55, 142, 223, 400  
A08 - 500 - LMR200  
A09 - 500 - RG-59/U Plenum  
A10 - 750 - RG-59, 62  
A11 - 750 - Belden 1505A  
A12 - 750 - Belden 8281  
A13 - 750 - RG-59/U Quad Shield  
A14 - 750 - RG-59/U Plenum

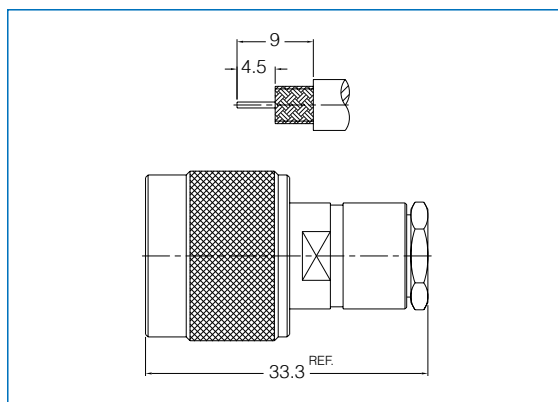
## Straight Plug, Clamp

**NYM15B-AXXN01**

Cable group : [06, 07, 08, 09, 10, 12](#)

Impedance Y = 5 = 50 Ohm

Y = 7 = 75 Ohm



A15 - 750 - RG-6  
A16 - 500 - 8X, LMR240  
A17 - 500 - LMR400, Belden 9913  
A18 - 500 - RG-8, 8A, 9, 213, 214  
A19 - 750 - RG6/U Quad  
A20 - 750 - RG-11  
A21 - 750 - Belden 1694A  
A22 - 750 - AT&T 734A  
A23 - 750 - AT&T 735A  
A24 - 500 - LMR600  
A25 - 750 - Belden 1696A  
A26 - 750 - Belden 8218  
A27 - 750 - BT-3002  
A28 - 500 - 0885/0885RF, RG-405/U

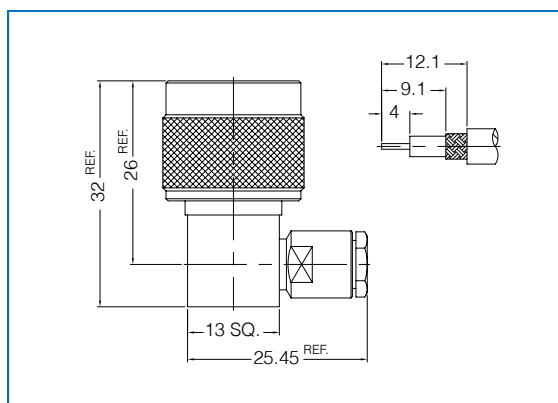
## Right Angle Plug, Clamp

**NYM22A-AXXN01**

Cable group : [06, 07, 08, 09, 10, 12](#)

Impedance Y = 5 = 50 Ohm

Y = 7 = 75 Ohm

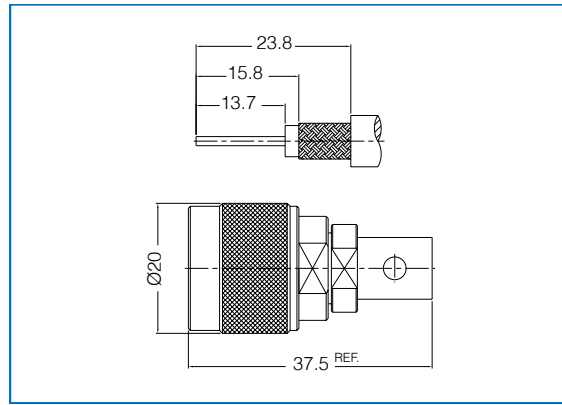


A29 - 500 - 141SR, RG-402/U  
A30 - 500 - 1.13mm OD micro  
A31 - 500 - 1.32mm OD micro  
A32 - 500 - 1.37mm OD micro  
A33 - 500 - 047SR cable  
A34 - 750 - FLEX 2  
A35 - 750 - FLEX 3  
A37 - 750 - FLEX 5  
A38 - 500 - 30-2V  
A39 - 500 - 5D-2V  
A40 - 500 - 8D-2V  
A41 - 500 - 5D-FB, LMR300  
A42 - 500 - 1/4" Superflex  
A43 - 500 - 1/2" Superflex

**Straight Plug, Solder**

N5M16A-AXXN01

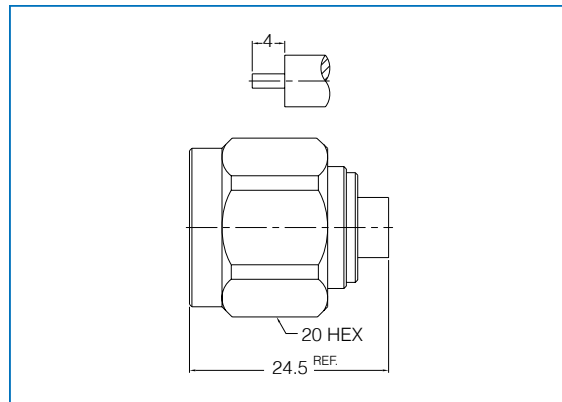
Cable group : [38](#), [39](#), [40](#)



**Straight Plug, Solder**

N5M11C-AXXN01

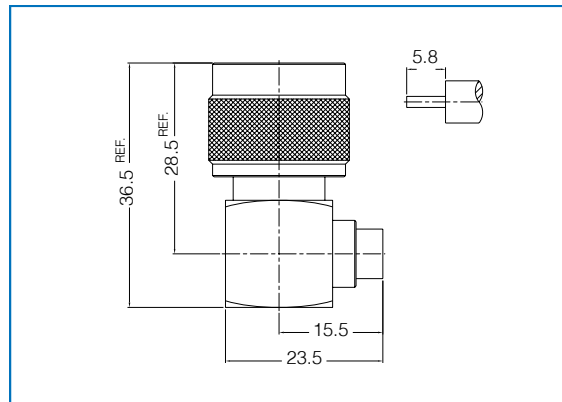
Cable group : [28](#), [29](#)



**Right Angle Plug, Solder**

N5M27A-AXXN01

Cable group : [28](#), [29](#)



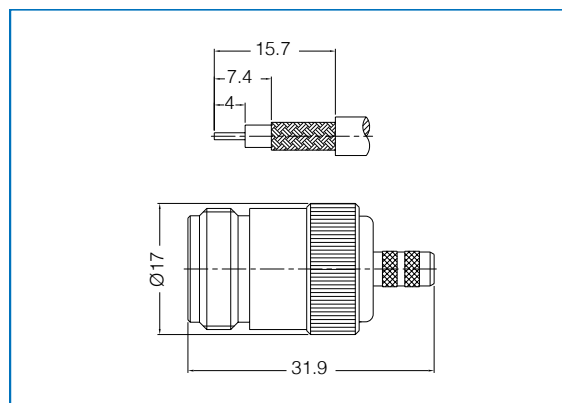
**Straight Jack, Crimp**

NYF11A-AXXN01

Cable group : [06](#), [07](#), [08](#), [09](#), [10](#), [11](#),  
[12](#), [13](#), [14](#), [15](#), [16](#), [17](#), [18](#)

Impedance Y = 5 = 50 Ohm

Y = 7 = 75 Ohm



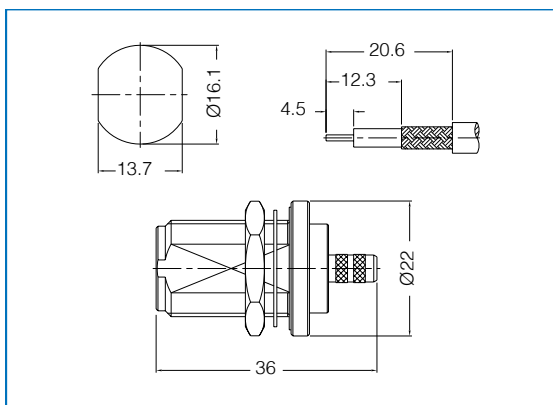
### Bulkhead Jack, Crimp

NYF31A-AXXN01

Cable group : [06](#), [07](#), [08](#), [09](#), [10](#), [11](#), [12](#),  
[13](#), [14](#), [15](#), [16](#), [17](#), [18](#)

Impedance Y = 5 = 50 Ohm

Y = 7 = 75 Ohm



Cable Groups

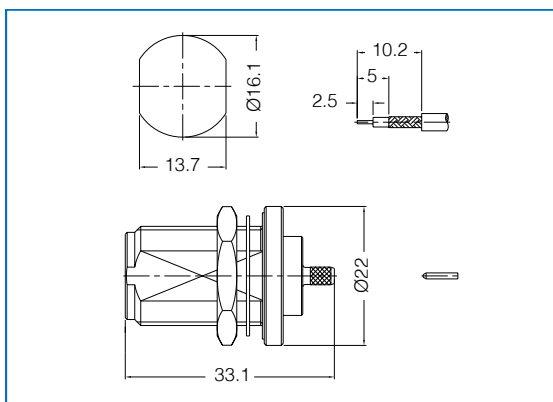
### Bulkhead Jack, Crimp-Pin in Pin

NYF32A-AXXN01

Cable group : [01](#), [02](#), [03](#), [04](#), [05](#)

Impedance Y = 5 = 50 Ohm

Y = 7 = 75 Ohm



A01 - 500 - RG-178, 198  
A02 - 500 - RG-174, 188A, 316, LMR100  
A03 - 750 - RG-179, 187  
A04 - 500 - RD-316U  
A05 - 750 - RD-179U  
A06 - 500 - RG-58, 58A, 58C, 141, LMR195  
A07 - 500 - RG-55, 142, 223, 400  
A08 - 500 - LMR200  
A09 - 500 - RG-59U Plenum  
A10 - 750 - RG-59, 62  
A11 - 750 - Belden 1505A  
A12 - 750 - Belden 8281  
A13 - 750 - RG-59U Quad Shield  
A14 - 750 - RG-59U Plenum

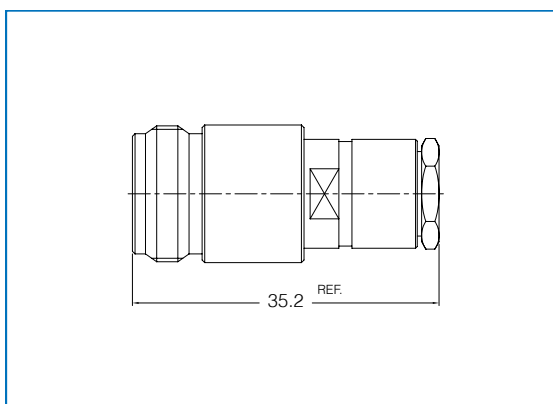
### Straight Jack, Clamp

NYF12A-AXXN01

Cable group : [06](#), [07](#), [10](#), [12](#)

Impedance Y = 5 = 50 Ohm

Y = 7 = 75 Ohm

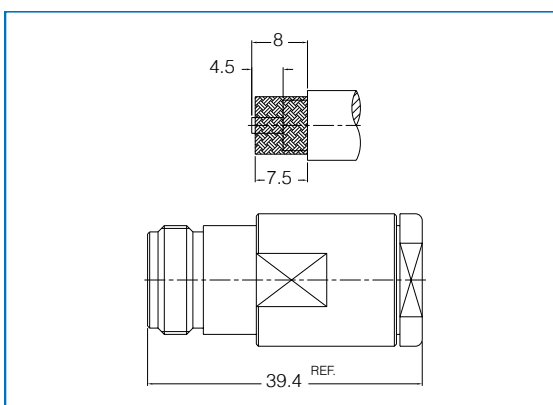


A15 - 750 - RG-6  
A16 - 500 - 8X, LMR240  
A17 - 500 - LMR400, Belden 9913  
A18 - 500 - RG-8, 8A, 9, 213, 214  
A19 - 750 - RG6U, Quad  
A20 - 750 - RG-11  
A21 - 750 - Belden 1694A  
A22 - 750 - AT&T 734A  
A23 - 750 - AT&T 735A  
A24 - 500 - LMR800  
A25 - 750 - Belden 1695A  
A26 - 750 - Belden 8218  
A27 - 750 - BT-3002  
A28 - 500 - 0885, 0885R, RG-405U

### Straight Jack, Clamp

N5F13A-AXXN01

Cable group : [17](#), [18](#), [20](#)

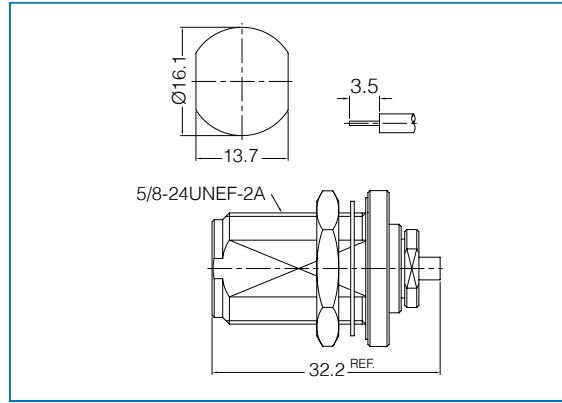


A29 - 500 - 141SR, RG-402U  
A30 - 500 - 1.13mm OD micro  
A31 - 500 - 1.32mm OD micro  
A32 - 500 - 1.37mm OD micro  
A33 - 500 - 047SR cable  
A34 - 750 - FLEX 2  
A35 - 750 - FLEX 3  
A37 - 750 - FLEX 5  
A38 - 500 - 30-2V  
A39 - 500 - 50-2V  
A40 - 500 - 80-2V  
A41 - 500 - 50-FB, LMR300  
A42 - 500 - 1/4" Superflex  
A43 - 500 - 1/2" Superflex

**Bulkhead Jack, Solder**

**N5F31B-AXXN01**

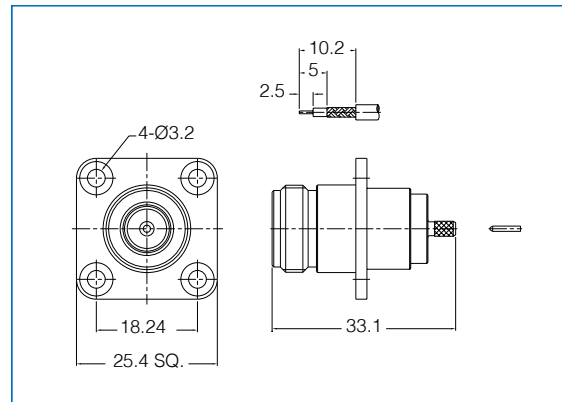
Cable group : [28](#), [29](#)



**Panel Jack, Crimp-Pin in Pin**

**NYF41A-AXXN01**

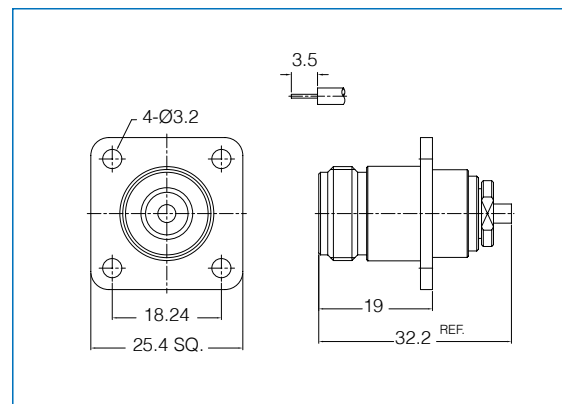
Cable group : [01](#), [02](#), [03](#), [04](#), [05](#)



**Panel Jack, Solder**

**N5F42A-AXXN01**

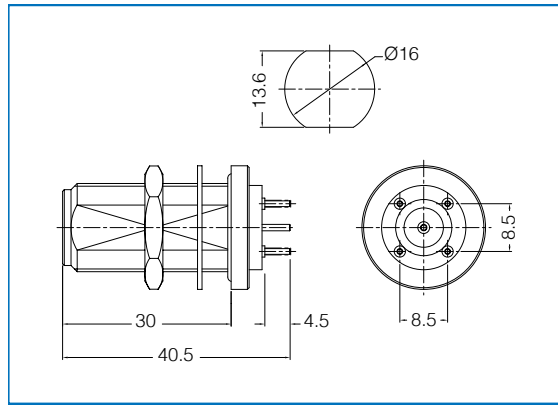
Cable group : [28](#), [29](#)



## Straight Bulkhead PCB Jack

N5F31A-TPCN01

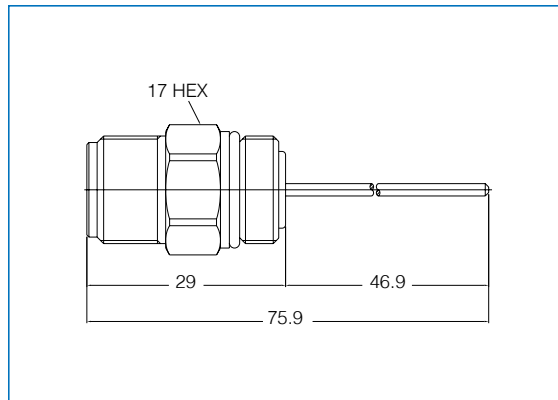
\* Mounting hole : "Y"



### Cable Groups

## Receptacle Jack

N5F11A-RECN01

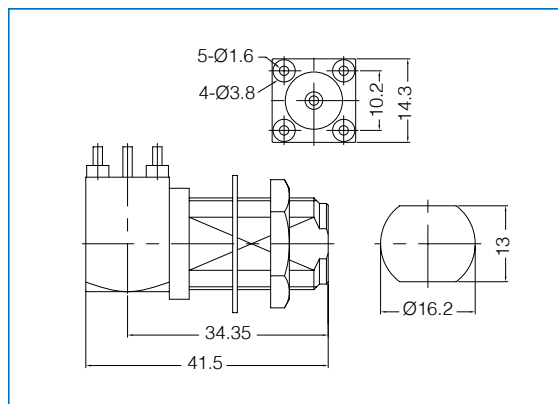


A01 - 50Ω - RG-178, 196  
 A02 - 50Ω - RG-174, 188A, 316, LMR100  
 A03 - 75Ω - RG-179, 187  
 A04 - 50Ω - RD-316U  
 A05 - 75Ω - RD-179U  
 A06 - 50Ω - RG-58, 58A, 58C, 141, LMR195  
 A07 - 50Ω - RG-55, 142, 223, 400  
 A08 - 50Ω - LMR200  
 A09 - 50Ω - RG-59U Plenum  
 A10 - 75Ω - RG-59, 62  
 A11 - 75Ω - Belden 1505A  
 A12 - 75Ω - Belden 8281  
 A13 - 75Ω - RG-59U Quad Shield  
 A14 - 75Ω - RG-59U Plenum

## Right Angle Bulkhead PCB Jack

N5F21A-TPCN01

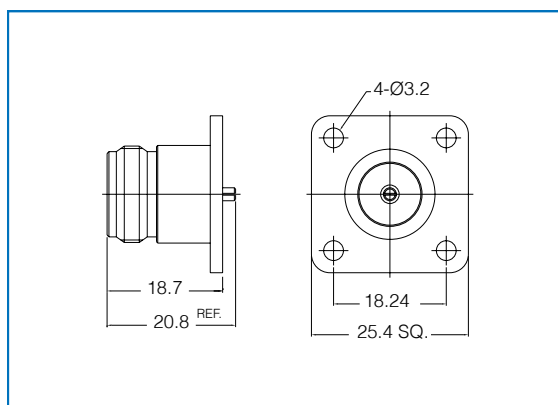
\* Mounting hole : "J"



A15 - 75Ω - RG-6  
 A16 - 50Ω - 8X, LMR240  
 A17 - 50Ω - LMR400, Belden 9913  
 A18 - 50Ω - RG-8, 8A, 9, 213, 214  
 A19 - 75Ω - RG6U, Quad  
 A20 - 75Ω - RG-11  
 A21 - 75Ω - Belden 1694A  
 A22 - 75Ω - AT&T 734A  
 A23 - 75Ω - AT&T 735A  
 A24 - 50Ω - LMR600  
 A25 - 75Ω - Belden 1695A  
 A26 - 75Ω - Belden 8218  
 A27 - 75Ω - BT-3002  
 A28 - 50Ω - 0885, 0885RF, RG-405U

## Panel Receptacle Jack

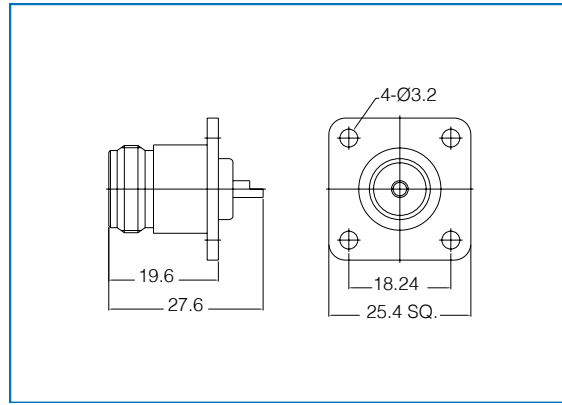
N5F41A-4HNL01



A29 - 50Ω - 141SR, RG-402U  
 A30 - 50Ω - 1.13mm OD micro  
 A31 - 50Ω - 1.32mm OD micro  
 A32 - 50Ω - 1.37mm OD micro  
 A33 - 50Ω - 047SR cable  
 A34 - 75Ω - FLEX 2  
 A35 - 75Ω - FLEX 3  
 A37 - 75Ω - FLEX 5  
 A38 - 50Ω - 30-2V  
 A39 - 50Ω - 5P-2V  
 A40 - 50Ω - 8D-2V  
 A41 - 50Ω - 5D-FB, LMR300  
 A42 - 50Ω - 1/4" Superflex  
 A43 - 50Ω - 1/2" Superflex

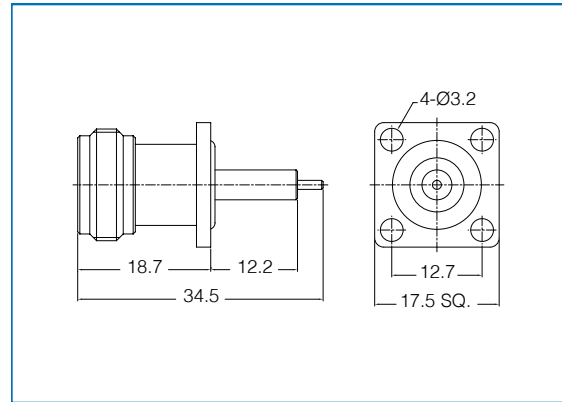
**Panel Receptacle Jack**

N5F41B-4HLN01



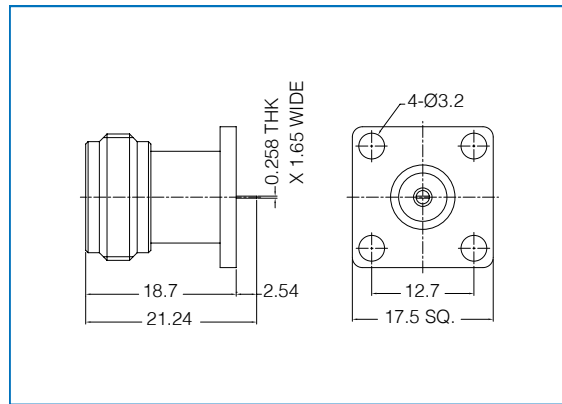
**Panel Receptacle Jack**

N5F42A-4HLN01



**Panel Receptacle Jack**

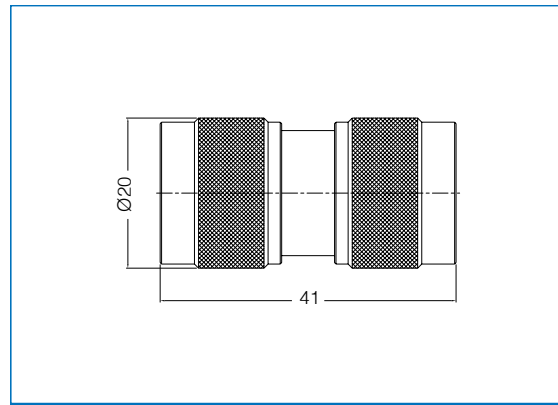
N5F42B-4HLN01





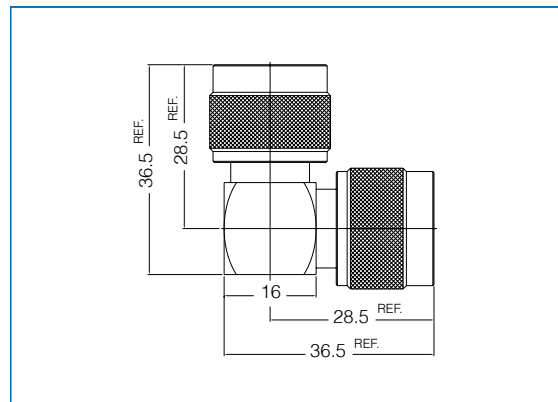
**Adapter, Plug to Plug**

N5M11A-ADPN01



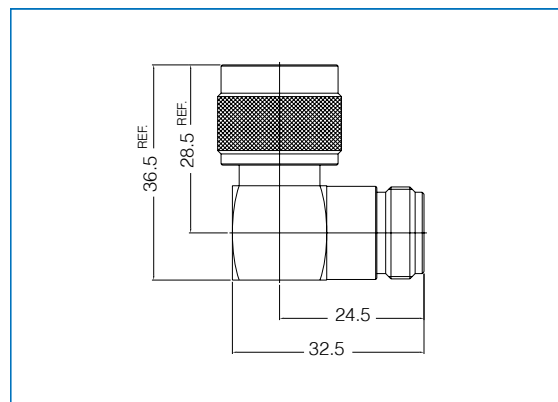
**Right Angle Adapter, Plug to Plug**

N5M21A-ADPN01



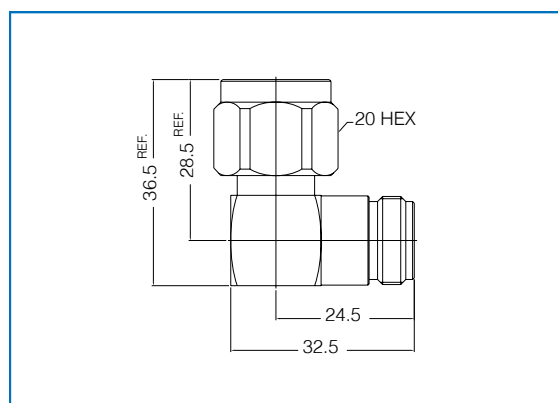
**Right Angle Adapter, Plug to Jack**

N5A21A-ADPN01



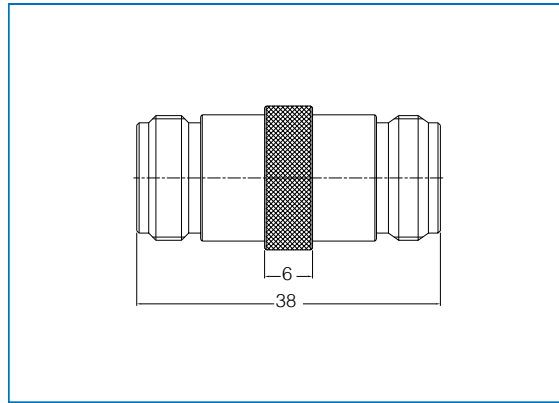
**Right Angle Adapter, Plug to Jack**

N5A22A-ADPN01



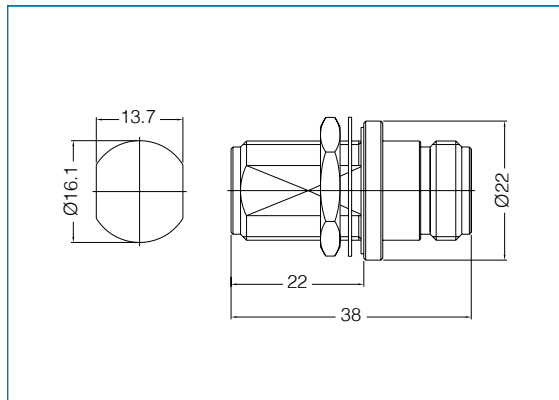
**Adapter, Jack to Jack**

N5F11A-ADPN01



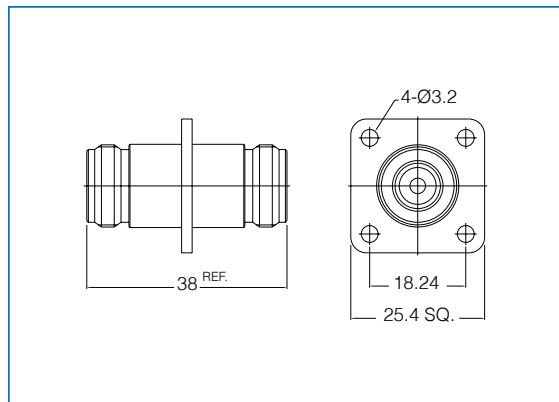
**Bulkhead Adapter, Jack to Jack**

N5F31A-ADPN01



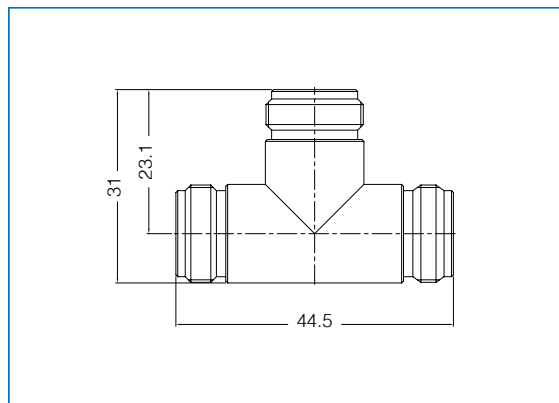
**Panel Adapter, Jack to Jack**

N5F41A-ADPN01



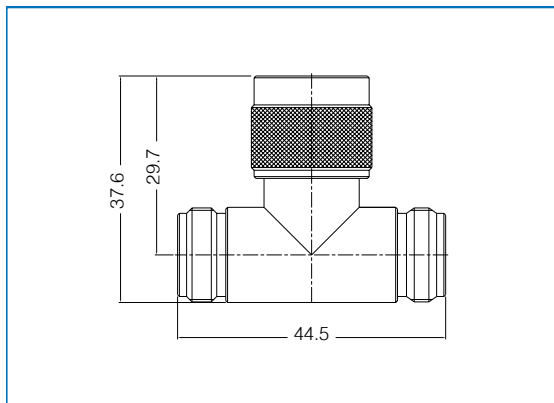
**“T” Adapter, Jack-Jack-Jack**

N5F51A-ADPN01



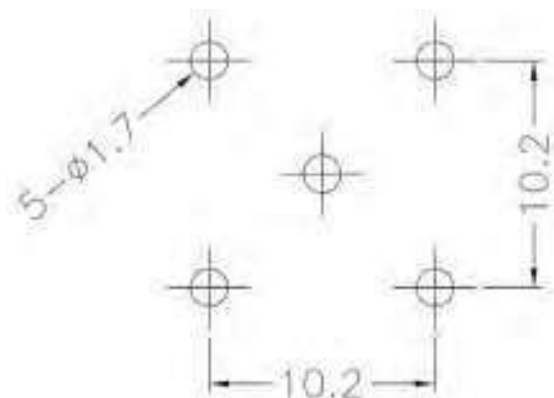
**“T” Adapter, Jack-Plug-Jack**

N5A51A-ADPN01

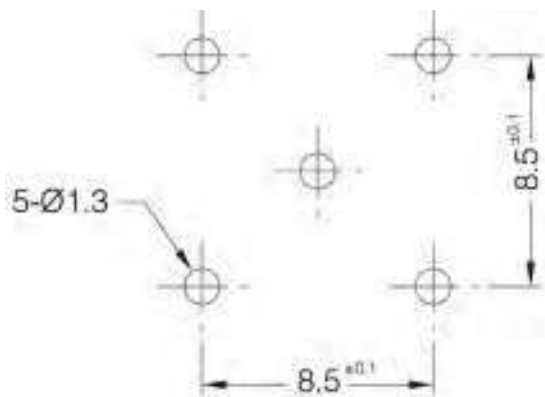


**PCB Layouts**

**Layout-J**



**Layout-Y**





# F & G Series - (TF & TG)



## FEATURES :

- F Connector is Threaded
- G Connector is Push-on
- Multiple PCB Mount Types
- High retention contacts available
- Zinc alloy body is available
- Water proof options available

## APPLICATIONS :

- CATV
- Set Top Boxes
- Cable Assemblies
- Cable Modems
- Docsis 2.0/3.0/3.1

## ***ELECTRICAL SPECIFICATIONS***

<u>Impedance</u>	<u>75 <math>\Omega</math></u>
<u>Frequency Range</u>	<u>0 – 3GHz</u>
<u>Return Loss</u>	<u>-30 dB @DC-3GHz</u>
<u>RF Leakage</u>	<u>-100 dB min. @1GHz</u>

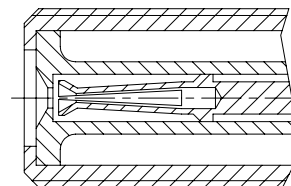
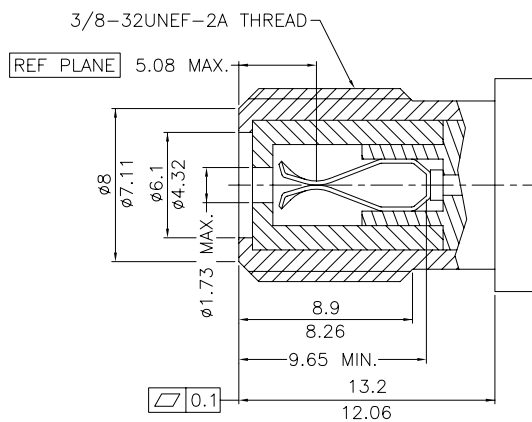
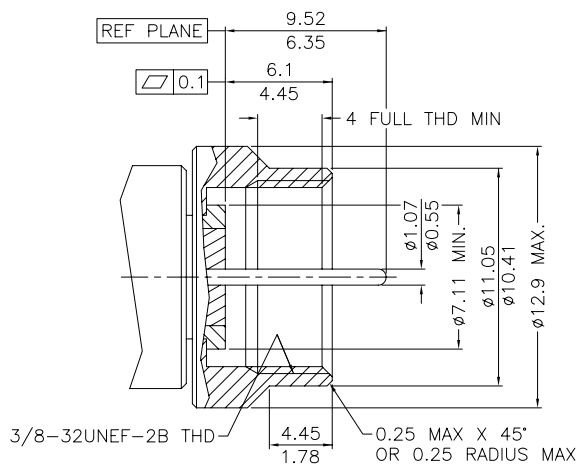
## ***MATERIAL SPECIFICATIONS***

<u>Body</u>	<u>Brass or Die Cast, nickel or tin plated</u>
<u>Male contact</u>	<u>Brass, gold or tin plated</u>
<u>Female contact</u>	<u>BeCu, P. Bronze or Brass, gold or tin plated</u>
<u>Insulator</u>	<u>PTFE, P.P. or Delrin</u>
<u>Crimp ferrule</u>	<u>Copper or Brass, nickel or tin plated</u>
<u>Clip</u>	<u>BeCu, nickel or tin plated</u>

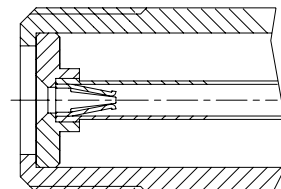
## ***ENVIRONMENTAL***

<u>Temperature Range</u>	<u>-40°C to +140°C</u>
--------------------------	------------------------

## INTERFACE MATING DIMENSIONS



ACCEPTS  $\phi 0.55 \sim \phi 1.02$   
CENTER CONDUCTOR

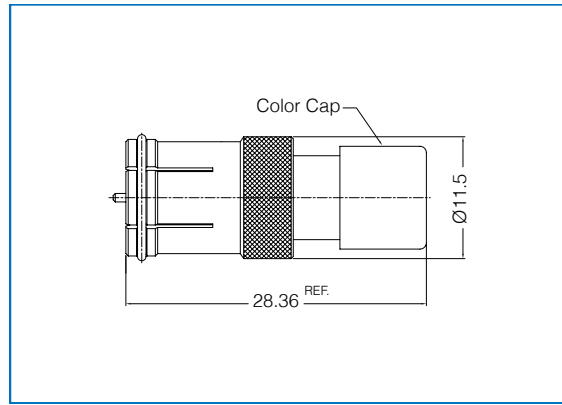


ACCEPTS  $\phi 0.55 \sim \phi 1.5$   
CENTER CONDUCTOR

**Terminator Plug - Push-on  
1/4 Watt (1%)**

TGM11A-TERN01

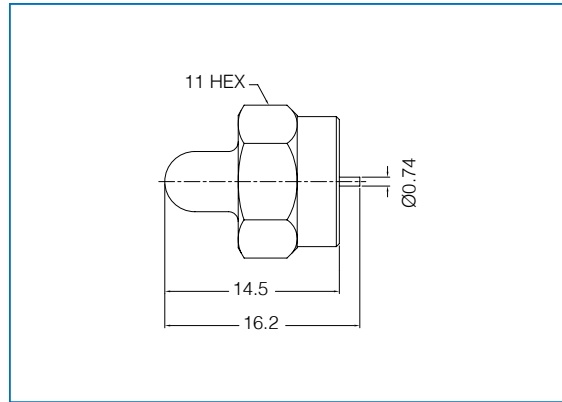
\* Color Cap



**Terminator Plug  
1/2 Watt (1%)**

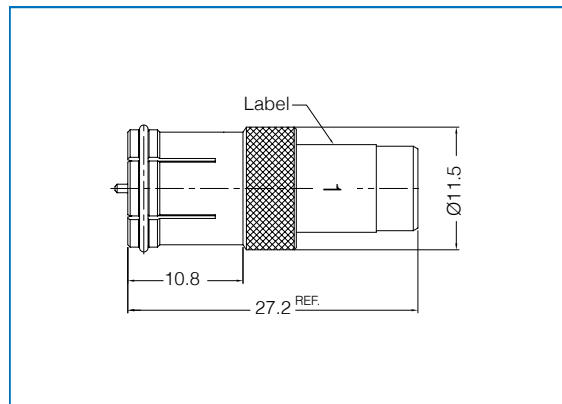
TFM11A-TERN01

\* Material : Die Cast



**Terminator Plug - Push-on  
1/4 Watt (5%)**

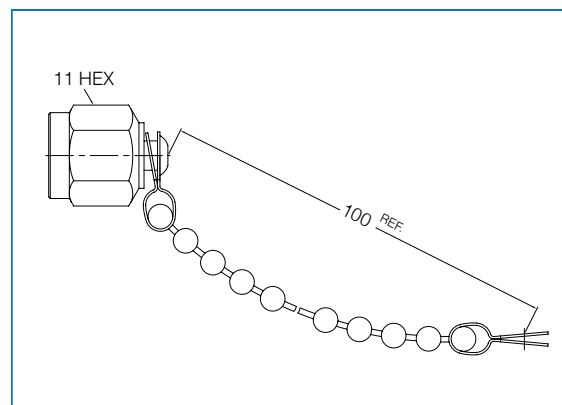
TGM11B-TERN01



**Male Cap with Chain**

TFM12A-TERN01

\* Chain Length : 100mm



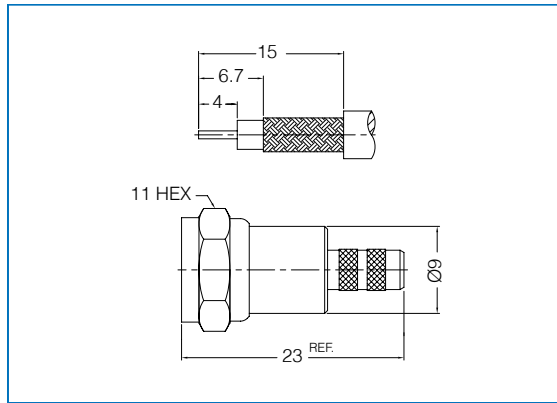


### Straight Plug, Crimp

TFM11A-AXXN01

Cable group : [03](#), [05](#), [10](#), [11](#), [13](#), [14](#), [15](#)

\* Hex Nut : Die Cast

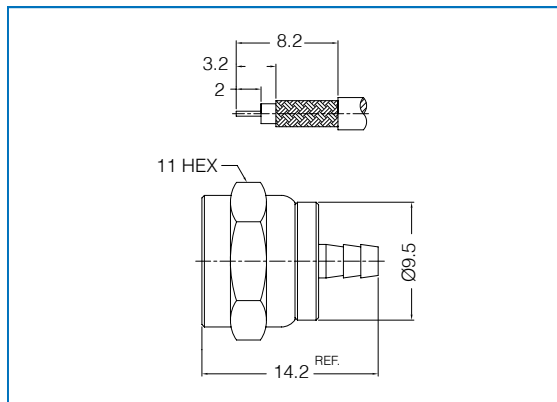


Cable Groups

### Straight Plug, Crimp

TFM12A-AXXN01

Cable group : [02](#), [03](#), [04](#), [06](#), [08](#), [16](#), [20](#), [21](#), [22](#), [23](#)

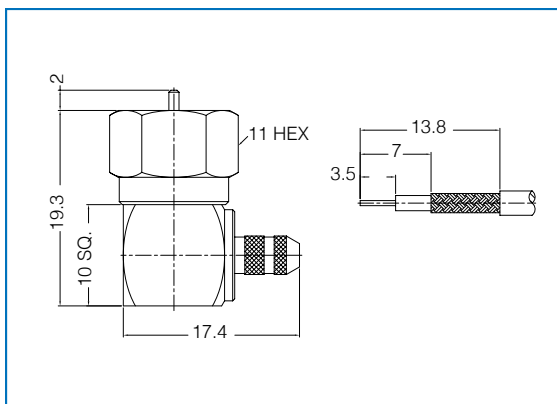


- A01 - 500 - RG-178, 196
- A02 - 500 - RG-174, 188A, 316, LMR100
- A03 - 750 - RG-179, 187
- A04 - 500 - RD-316U
- A05 - 750 - RD-179U
- A06 - 500 - RG-58, 58A, 58C, 141, LMR195
- A07 - 500 - RG-55, 142, 223, 400
- A08 - 500 - LMR200
- A09 - 500 - RG-59U Plenum
- A10 - 750 - RG-59, 62
- A11 - 750 - Belden 1505A
- A12 - 750 - Belden 8281
- A13 - 750 - RG-59U Quad Shield
- A14 - 750 - RG-59U Plenum
- A15 - 750 - RG-6
- A16 - 500 - 8X, LMR240
- A17 - 500 - LMR400, Belden 9913
- A18 - 500 - RG-8, 8A, 9, 213, 214
- A19 - 750 - RG6U Quad
- A20 - 750 - RG-11
- A21 - 750 - Belden 1694A
- A22 - 750 - AT&T 734A
- A23 - 750 - AT&T 735A
- A24 - 500 - LMR800
- A25 - 750 - Belden 1696A
- A26 - 750 - Belden 8218
- A27 - 750 - BT-3002
- A28 - 500 - 0885, 0885R, RG-405U
- A29 - 500 - 141SR, RG-402U
- A30 - 500 - 1.13mm OD micro
- A31 - 500 - 1.32mm OD micro
- A32 - 500 - 1.37mm OD micro
- A33 - 500 - 047SR cable
- A34 - 750 - FLEX 2
- A35 - 750 - FLEX 3
- A37 - 750 - FLEX 5
- A38 - 500 - 30-2V
- A39 - 500 - 5D-2V
- A40 - 500 - 8D-2V
- A41 - 500 - 5D-FB, LMR300
- A42 - 500 - 1/4" Superflex
- A43 - 500 - 1/2" Superflex

### Right Angle Plug, Crimp

TFM21A-AXXN01

Cable group : [03](#), [05](#), [10](#), [11](#), [13](#), [14](#), [15](#)

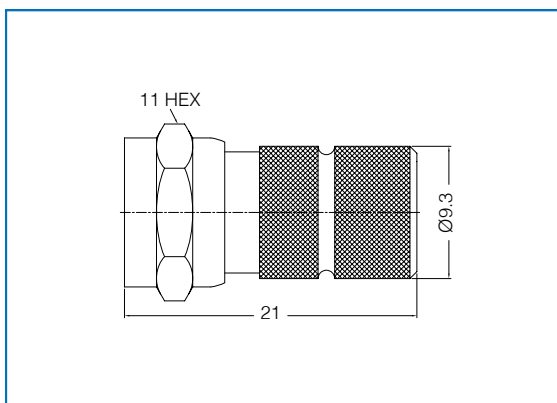


### Twist On Plug

TFM13A-AXXN01

Cable group : [10](#), [15](#)

\* Material : Die Cast

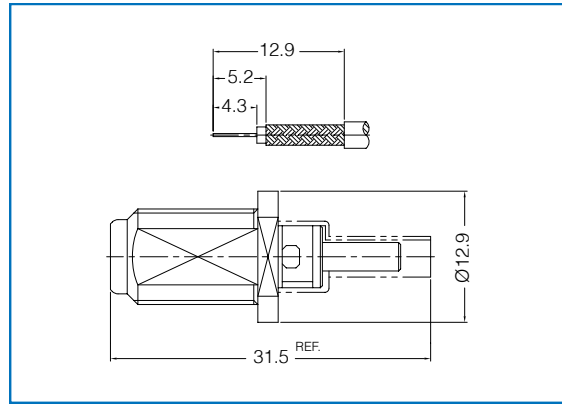


**Bulkhead Jack, Crimp**

TFF31A-AXXN01

Cable group : 03

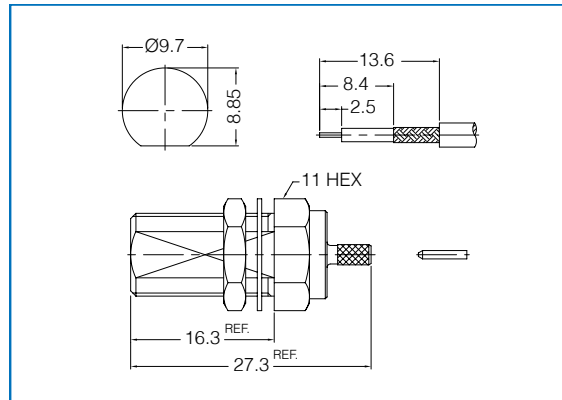
\* Material : Die Cast



**Bulkhead Jack, Crimp-Pin in Pin**

TFF32A-AXXN01

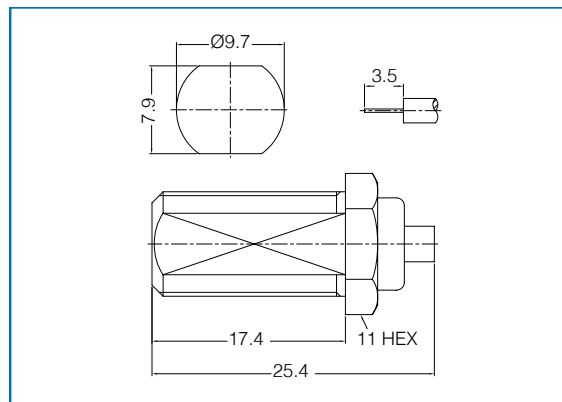
Cable group : 03, 05



**Bulkhead Jack, Solder**

TFF33A-AXXN01

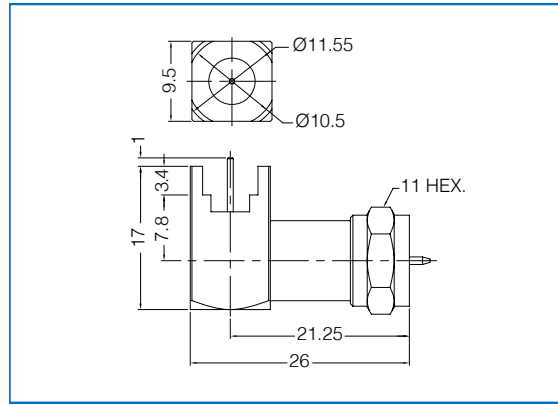
Cable group : RG 405 -75Ω



### Right Angle Plug, PCB Mount

TFM21A-TPCN01

Mounting hole : "K"

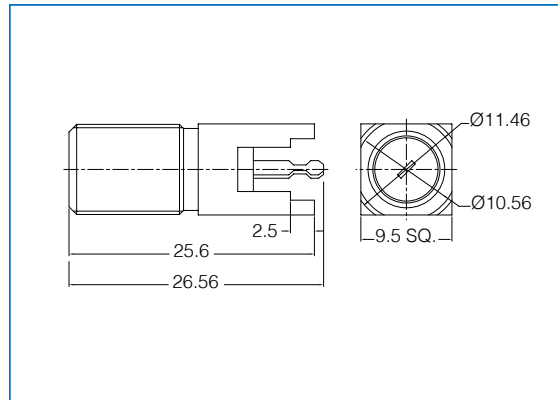


### Cable Groups

### Straight Jack, PCB Mount

TFF11A-TPCN01

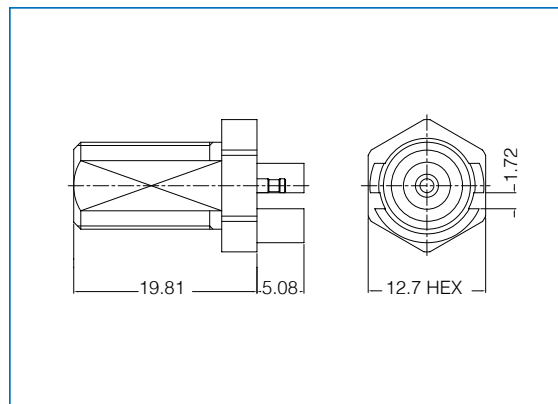
Mounting hole : "K"



- A01 - 50Ω - RG-178, 196
- A02 - 50Ω - RG-174, 188A, 316, LMR100
- A03 - 75Ω - RG-179, 187
- A04 - 50Ω - RD-316U
- A05 - 75Ω - RD-179U
- A06 - 50Ω - RG-58, 58A, 58C, 141, LMR195
- A07 - 50Ω - RG-55, 142, 223, 400
- A08 - 50Ω - LMR200
- A09 - 50Ω - RG-59U Plenum
- A10 - 75Ω - RG-59, 62
- A11 - 75Ω - Belden 1505A
- A12 - 75Ω - Belden 8281
- A13 - 75Ω - RG-59U Quad Shield
- A14 - 75Ω - RG-59U Plenum

### Straight Jack, Edgcard Mount

TFF11A-EPCN01

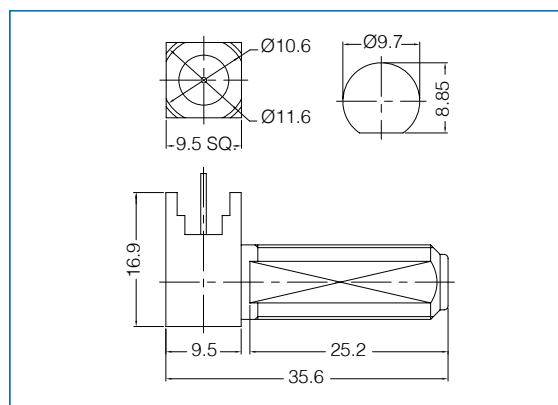


- A15 - 75Ω - RG-6
- A16 - 50Ω - 8X, LMR240
- A17 - 50Ω - LMR400, Belden 9913
- A18 - 50Ω - RG-8, 8A, 9, 213, 214
- A19 - 75Ω - RG6U, Quad
- A20 - 75Ω - RG-11
- A21 - 75Ω - Belden 1694A
- A22 - 75Ω - AT&T 734A
- A23 - 75Ω - AT&T 735A
- A24 - 50Ω - LMR600
- A25 - 75Ω - Belden 1695A
- A26 - 75Ω - Belden 8218
- A27 - 75Ω - BT-3002
- A28 - 50Ω - 0885, 0885RF, RG-405U

### Right Angle Jack, PCB Mount

TFF21A-TPCN01

Mounting hole : "K"

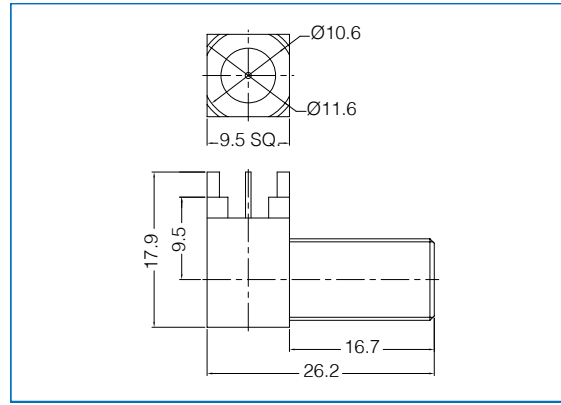


- A29 - 50Ω - 141SR, RG-402U
- A30 - 50Ω - 1.13mm OD micro
- A31 - 50Ω - 1.32mm OD micro
- A32 - 50Ω - 1.37mm OD micro
- A33 - 50Ω - 047SR cable
- A34 - 75Ω - FLEX 2
- A35 - 75Ω - FLEX 3
- A37 - 75Ω - FLEX 5
- A38 - 50Ω - 30-2V
- A39 - 50Ω - 5P-2V
- A40 - 50Ω - 8D-2V
- A41 - 50Ω - 5D-FB, LMR300
- A42 - 50Ω - 1/4" Superflex
- A43 - 50Ω - 1/2" Superflex

**Right Angle Jack, PCB Mount**

TFF22A-TPCN01

\* Mounting hole : "K"

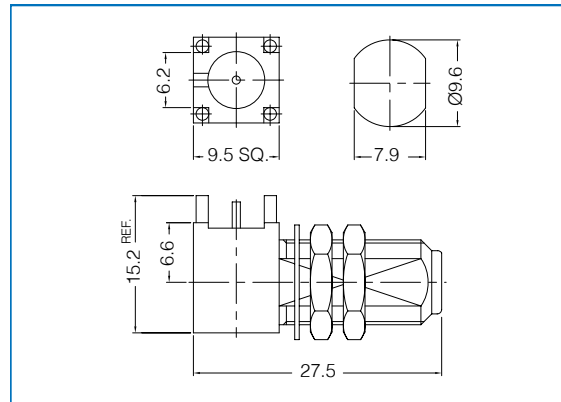


**Right Angle Jack, PCB Mount**

TFF23A-TPCN01

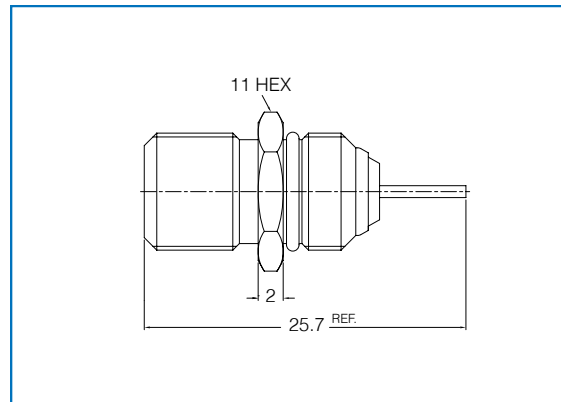
\* Material : Die Cast

\* Mounting hole : "K"



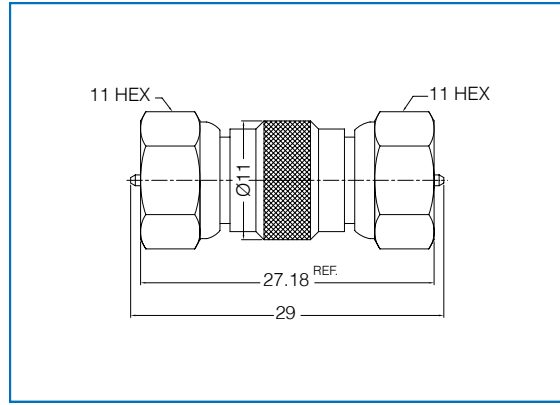
**Bulkhead Receptacle Jack**

TFF11A-RECN01



### Adapter, Plug To Plug

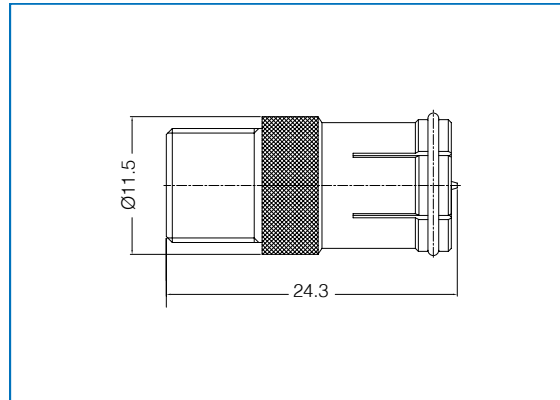
TFM11A-ADPN01



Cable Groups

### Adapter, Quick Plug To Jack

TFA11A-ADPN01

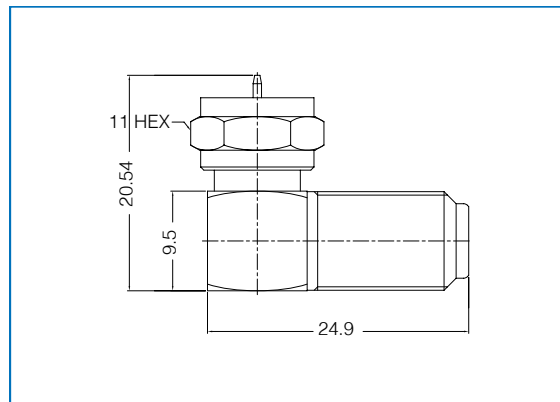


- A01 - 500 - RG-178, 196
- A02 - 500 - RG-174, 188A, 316, LMR100
- A03 - 750 - RG-179, 187
- A04 - 500 - RD-316U
- A05 - 750 - RD-179U
- A06 - 500 - RG-58, 58A, 58C, 141, LMR195
- A07 - 500 - RG-55, 142, 223, 400
- A08 - 500 - LMR200
- A09 - 500 - RG-59U Plenum
- A10 - 750 - RG-59, 62
- A11 - 750 - Belden 1505A
- A12 - 750 - Belden 8281
- A13 - 750 - RG-59U Quad Shield
- A14 - 750 - RG-59U Plenum

### Right Angle Adapter, Plug To Jack

TFA21A-ADPN01

\*Hex Nut: Die Cast

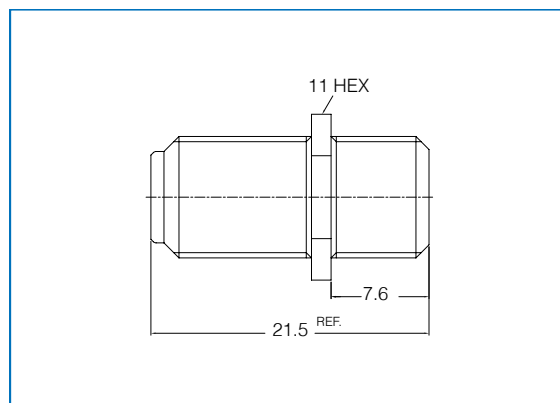


- A15 - 750 - RG-6
- A16 - 500 - 8X, LMR240
- A17 - 500 - LMR400, Belden 9913
- A18 - 500 - RG-8, 8A, 9, 213, 214
- A19 - 750 - RG6U, Quad
- A20 - 750 - RG-11
- A21 - 750 - Belden 1694A
- A22 - 750 - AT&T 734A
- A23 - 750 - AT&T 735A
- A24 - 500 - LMR800
- A25 - 750 - Belden 1695A
- A26 - 750 - Belden 8218
- A27 - 750 - BT-3002
- A28 - 500 - 0885, 0885R, RG-405U

### Adapter, Jack To Jack

TFF11A-ADPN01

\* Material : Die Cast

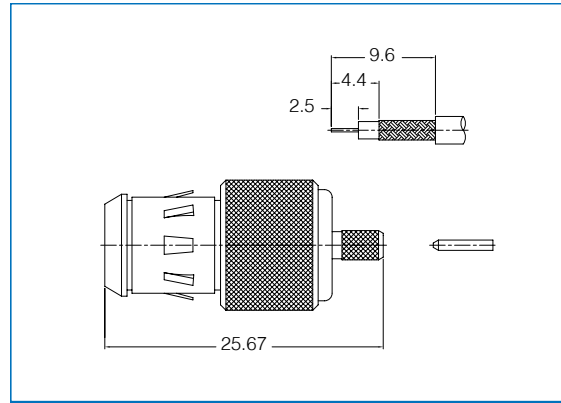


- A29 - 500 - 141SR, RG-402U
- A30 - 500 - 1.13mm OD micro
- A31 - 500 - 1.32mm OD micro
- A32 - 500 - 1.37mm OD micro
- A33 - 500 - 047SR cable
- A34 - 750 - FLEX 2
- A35 - 500 - FLEX 3
- A37 - 750 - FLEX 5
- A38 - 500 - 30-2V
- A39 - 500 - 50-2V
- A40 - 500 - 80-2V
- A41 - 500 - 50-FB, LMR300
- A42 - 500 - 1/4" Superflex
- A43 - 500 - 1/2" Superflex

**Crimp Jack**

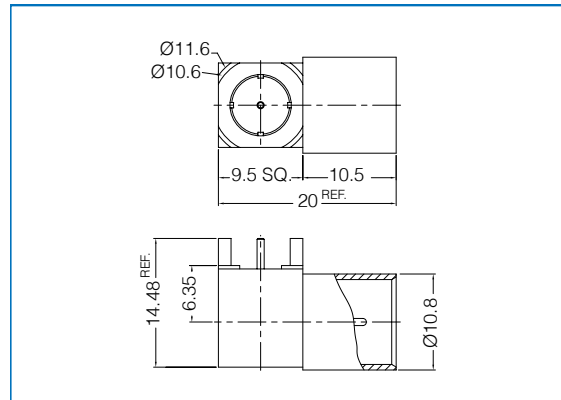
TGF11A-AXXN01

Cable group : 03, 05, 10, 11

**Right Angle Plug, PCB Mount**

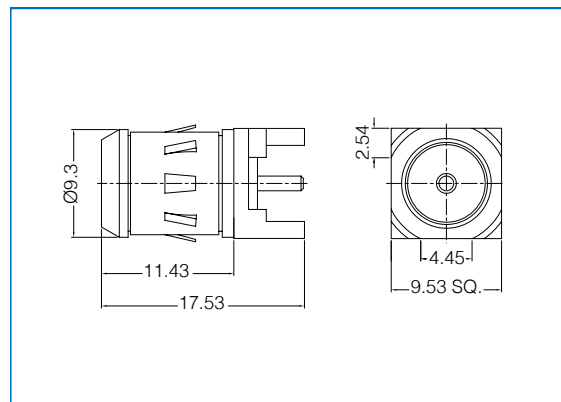
TGM21A-TCPN01

Mounting hole : "K"

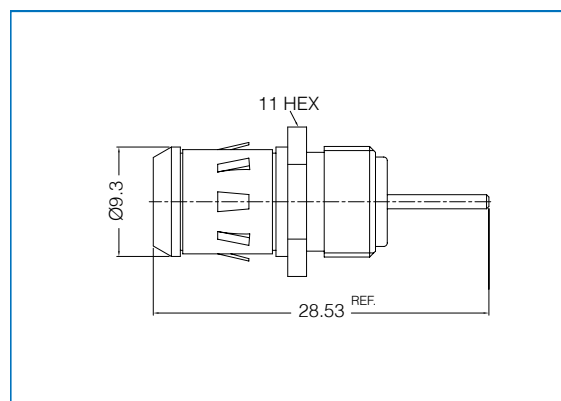
**Jack, PCB Mount**

TGF11A-TCPN01

Mounting hole : "K"

**Receptacle Jack, Front Mount**

TGF11A-RECN01









## 7/16 Series - (DD)



7/16

### **FEATURES :**

- Available for Large Cables
- White Bronze Finish as Standard
- Low PIM Materials

### **APPLICATIONS :**

- Cellular Antennas
- Telecom Base Stations
- In-Building Wireless
- Medical Infrastructure
- High Power RF

**ELECTRICAL SPECIFICATIONS**

<u>Impedance</u>	<u>50 Ω</u>
<u>Frequency Range</u>	<u>0 – 7.5 GHz</u>
<u>Working Voltage</u>	<u>≤ 2500 VRMS</u>
<u>Dielectric Withstanding Voltage</u>	<u>3000 VRMS</u>
<u>VSWR</u>	<u>Straight : 1.30 max</u>
	<u>Right Angle : 1.50 max</u>
<u>Insulator Resistance</u>	<u>10000 MΩ min.</u>

**MATERIAL SPECIFICATIONS**

<u>Body and outer contacts</u>	<u>Brass, white bronze</u>
<u>Male contact</u>	<u>Brass, silver plated</u>
<u>Female contact</u>	<u>Beryllium Copper, silver plated</u>
<u>Insulator</u>	<u>PTFE</u>
<u>Crimp ferrule</u>	<u>Copper or brass, white bronze or nickel plated</u>

**MECHANICAL SPECIFICATIONS**

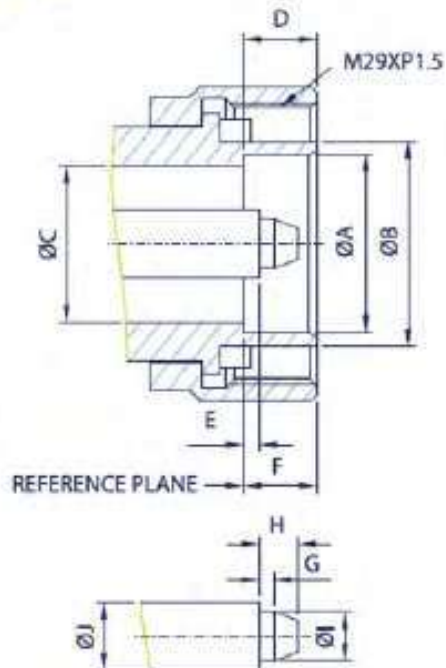
<u>Coupling mating torque</u>	<u>225 lbs. Min</u>
<u>Cable Retention</u>	<u>45 lbs min. (flexible cable)</u>
<u>Durability (matings)</u>	<u>500 cycles min.</u>

**ENVIRONMENTAL**

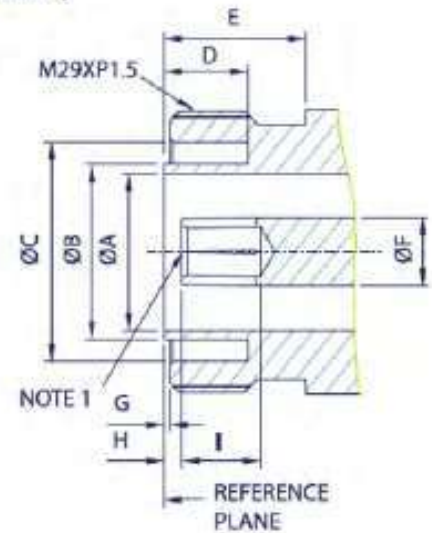
<u>Temperature range</u>	<u>-65°C to +165°C</u>
--------------------------	------------------------

## INTERFACE MATING DIMENSIONS

### PLUG /



### JACK /



PLUG		
Letter	Millimeters	
	Minimum	Maximum
A	18.03	18.21
B	20.60	21.40
C	15.85	16.25
D	7.00	8.00
E	1.47	1.77
F	7.00	9.00
G	1.40	1.60
H	-	4.50
J	4.96	5.04
K	6.97	7.03

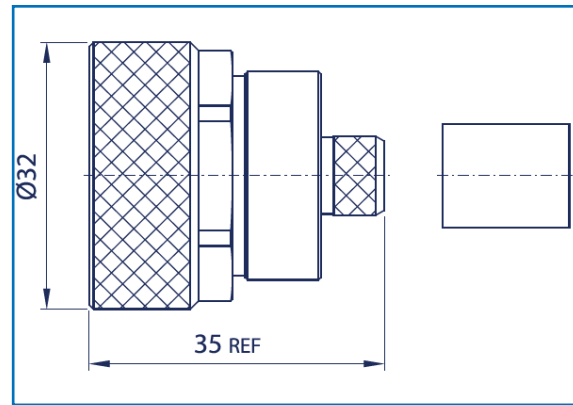
JACK		
Letter	Millimeters	
	Minimum	Maximum
A	15.85	16.25
B	-	18.00
C	22.10	22.90
D	8.10	-
E	10.00	-
F	6.94	7.03
G	0.50	0.70
H	1.77	2.07
I	5.00	-

NOTE 1: I.D. TO MEET VSWR AND CONTACT RESISTANCE WHEN MATED WITH 4.96 / 5.04 MM DIA. PIN.

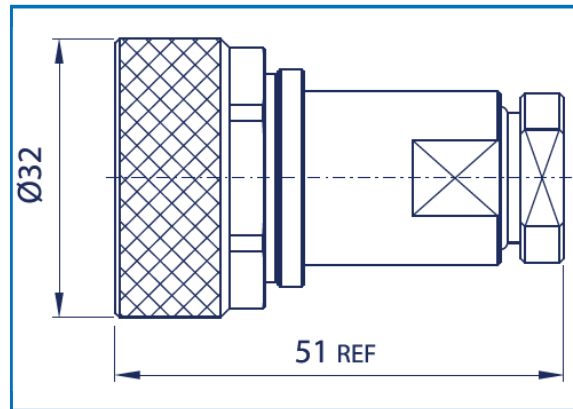
**7/16 Plug, Crimp**

DDM11A-AXXW01

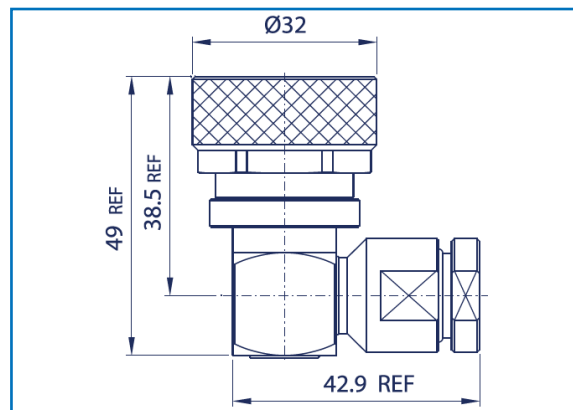
Cable group : 08, 16, 17, 18, 24

**7/16 Plug, Clamp**

DDM12A-AXXW01

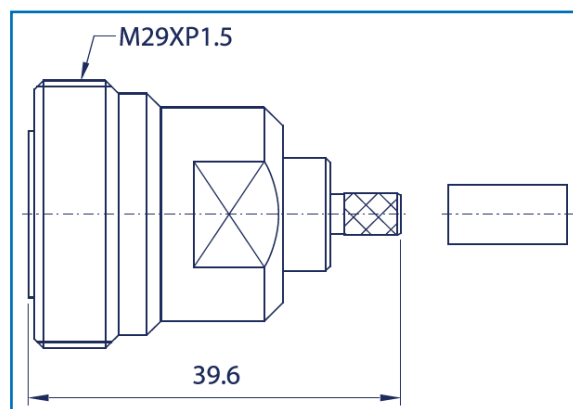
Cable group : 08, 16, 17, 18, 24, 29,  
42, 43**7/16 Right Angle Plug, Clamp**

DDM21A-AXXW01

Cable group : 08, 16, 17, 18, 24, 29,  
42, 43**7/16 Jack, Crimp**

DDF11A-AXXW01

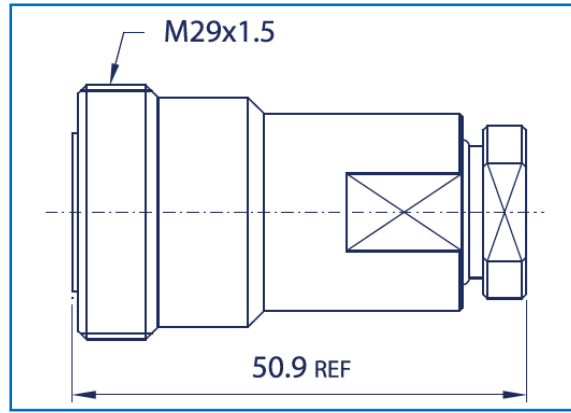
Cable group : 08, 16, 17, 18, 24



### 7/16 Jack, Clamp

DDF12A-AXXW01

Cable group : [08](#), [16](#), [17](#), [18](#), [24](#), [29](#),  
[42](#), [43](#)

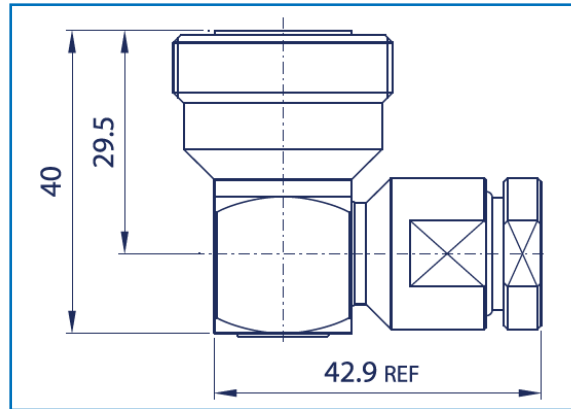


Cable Groups

### 7/16 Right Angle Jack, Clamp

DDF12A-AXXW01

Cable group : [08](#), [16](#), [17](#), [18](#), [24](#), [29](#),  
[42](#), [43](#)

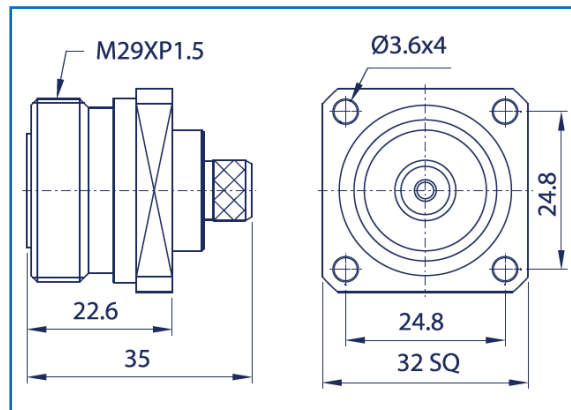


- A01 - 500 - RG-178, 198
- A02 - 500 - RG-174, 188A, 316, LMR100
- A03 - 750 - RG-179, 187
- A04 - 500 - RD-316/U
- A05 - 750 - RD-179/U
- A06 - 500 - RG-58, 58A, 58C, 141, LMR195
- A07 - 500 - RG-55, 142, 223, 400
- A08 - 500 - LMR200
- A09 - 500 - RG-59/U Plenum
- A10 - 750 - RG-59, 62
- A11 - 750 - Belden 1505A
- A12 - 750 - Belden 8281
- A13 - 750 - RG-59/U Quad Shield
- A14 - 750 - RG-59/U Plenum

### 7/16 Panel Jack, Crimp

DDF41A-AXXW01

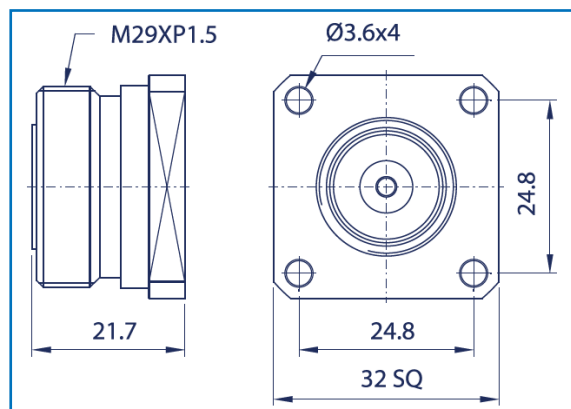
Cable group : [08](#), [16](#), [17](#), [18](#), [24](#)



- A15 - 750 - RG-6
- A16 - 500 - 8X, LMR240
- A17 - 500 - LMR400, Belden 9913
- A18 - 500 - RG-8, 8A, 9, 213, 214
- A19 - 750 - RG6/U Quad
- A20 - 750 - RG-11
- A21 - 750 - Belden 1694A
- A22 - 750 - AT&T 734A
- A23 - 750 - AT&T 735A
- A24 - 500 - LMR800
- A25 - 750 - Belden 1695A
- A26 - 750 - Belden 8218
- A27 - 750 - BT-3002
- A28 - 500 - 0889, 0885RF, RG-405/U

### 7/16 Panel Jack with O-Ring

DDF41A-4HLW01



- A29 - 500 - 14ISR, RG-402/U
- A30 - 500 - 1.13mm OD micro
- A31 - 500 - 1.32mm OD micro
- A32 - 500 - 1.37mm OD micro
- A33 - 500 - 047SR cable
- A34 - 500 - FLEX 2
- A35 - 750 - FLEX 3
- A37 - 750 - FLEX 5
- A38 - 500 - 30-2V
- A39 - 500 - 5P-2V
- A40 - 500 - 8D-2V
- A41 - 500 - 5D-FB, LMR300
- A42 - 500 - 1/4" Superflex
- A43 - 500 - 1/2" Superflex



## ***BETWEEN SERIES ADAPTERS -***



### ***FEATURES :***

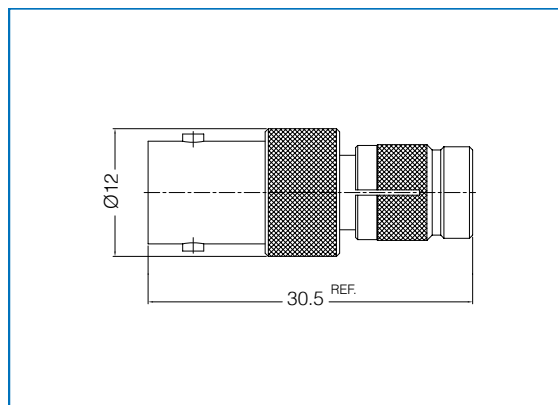
- To join two incompatible series
- 50 Ohm and 75 Ohm versions
- Nickel Plated

### ***APPLICATIONS :***

- Testing
- Antenna Connecting
- Radio Industry
- Public Address Systems
- Wireless Network Antennas

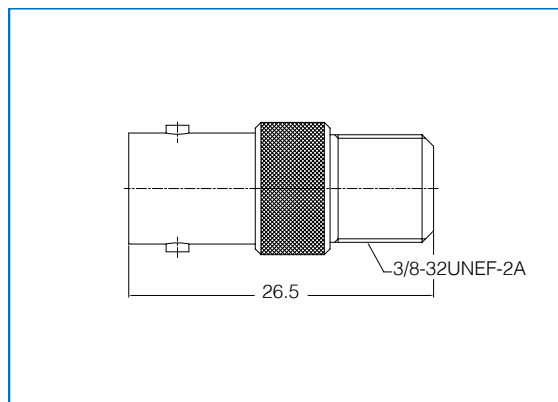
**BNC Jack to 1.0/2.3 Plug  
75 Ohm**

BA-C7F-D7M-75



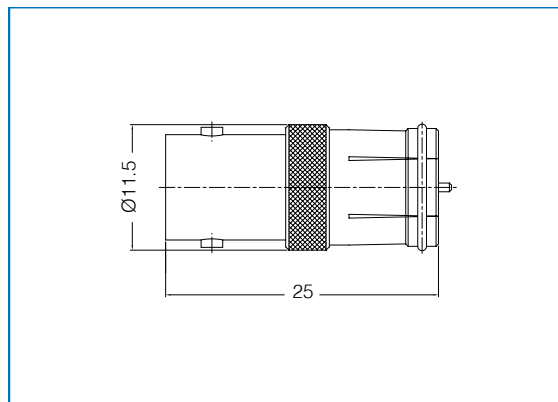
**BNC Jack to F Jack  
75 Ohm**

BA-C7F-TFF-75



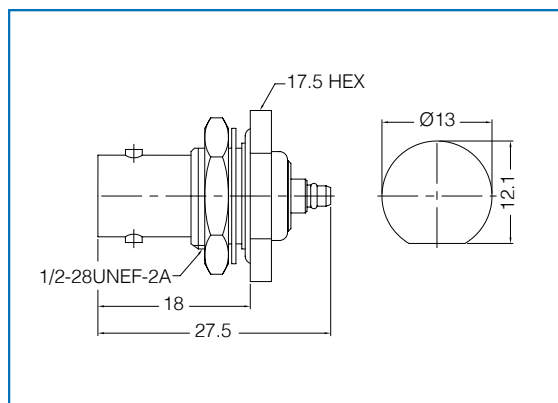
**BNC Jack to F Quick Plug  
75 Ohm**

BA-C7F-TFM-75



**BNC Jack to MMCX Plug  
50 Ohm**

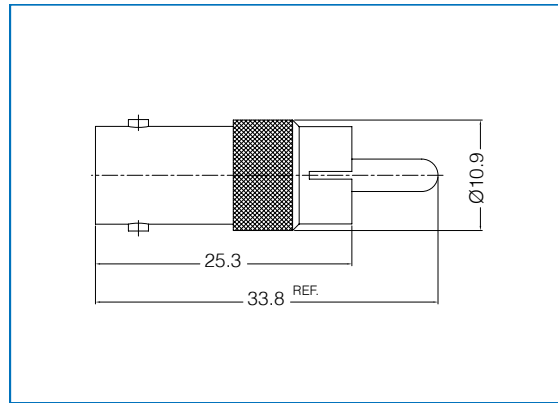
BA-C5F-MMM-50





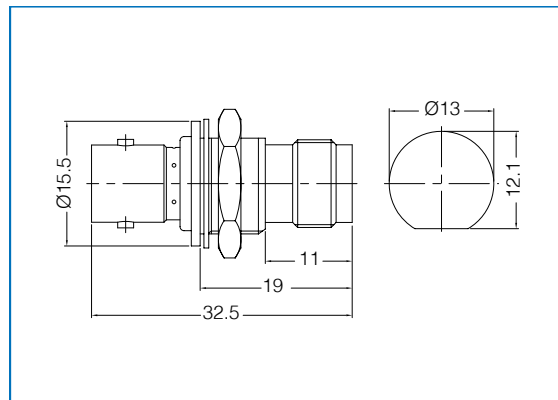
**BNC Jack to RCA Plug  
50 Ohm**

BA-C5F-RCM-50



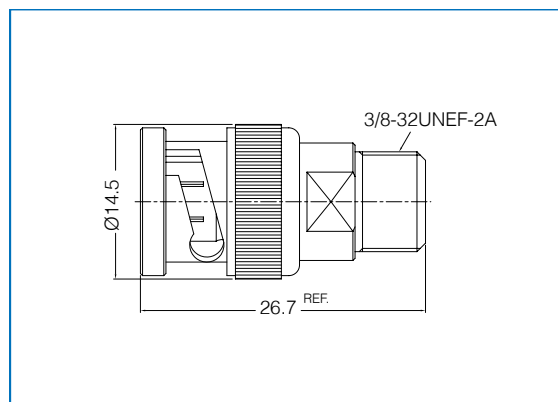
**BNC Jack to TNC Jack  
50 Ohm**

BA-C5F-T5F-50



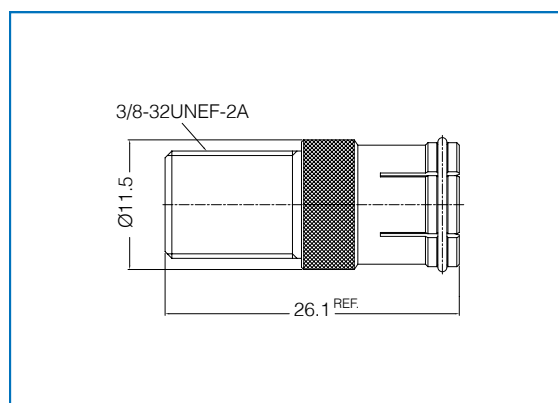
**BNC Plug to F Jack  
75 Ohm**

BA-C7M-TFF-75



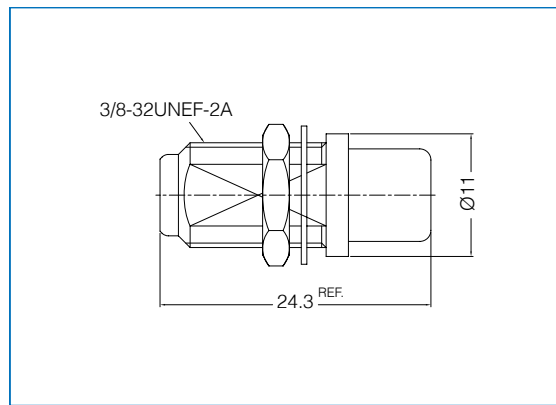
**F Jack to PAL Quick Jack  
75 Ohm**

BA-TFF-PAF-75



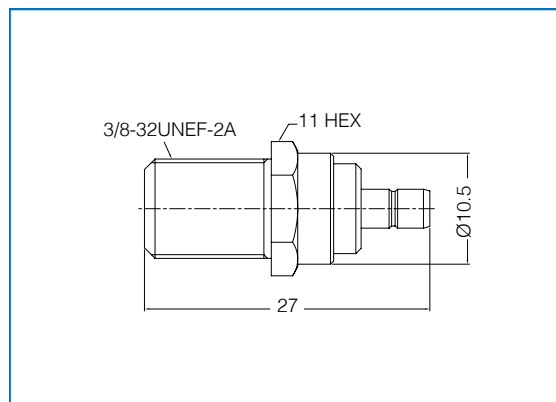
**F Jack to RCA Jack  
75 Ohm**

BA-TFF-RCF-75



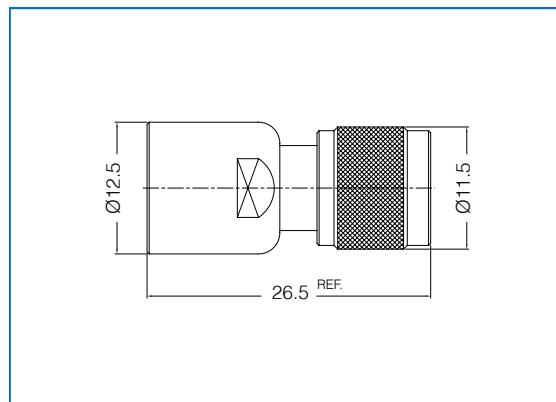
**F Jack to SMB Jack  
75 Ohm**

BA-TFF-B7M-75



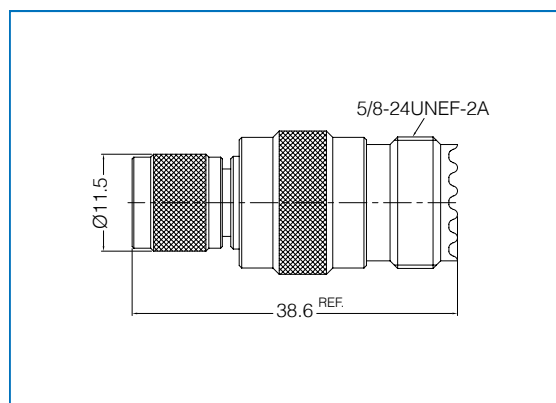
**FME Plug to MINI-UHF Plug  
50 Ohm**

BA-MEM-MUM-50



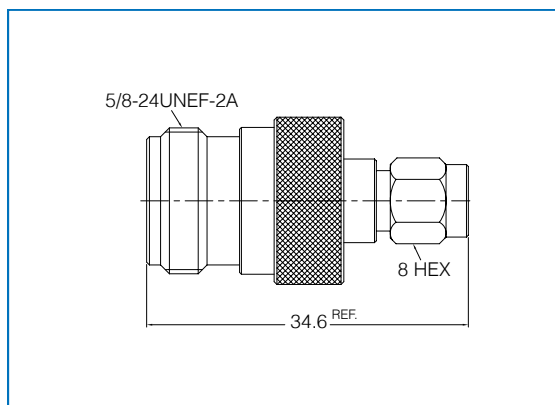
**MINI-UHF Plug to UHF Jack  
50 Ohm**

BA-MUM-AUF-50



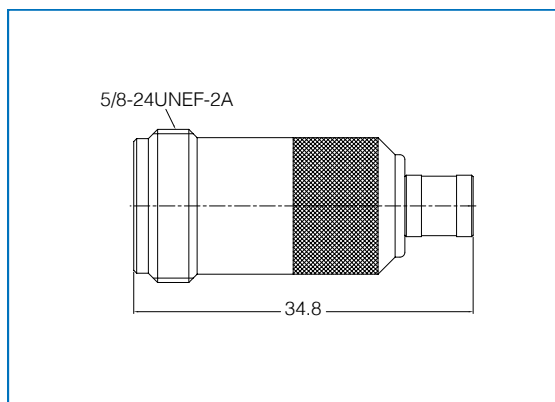
**N Jack to SMA Plug**  
**50 Ohm**

BA-N5F-SMM-50



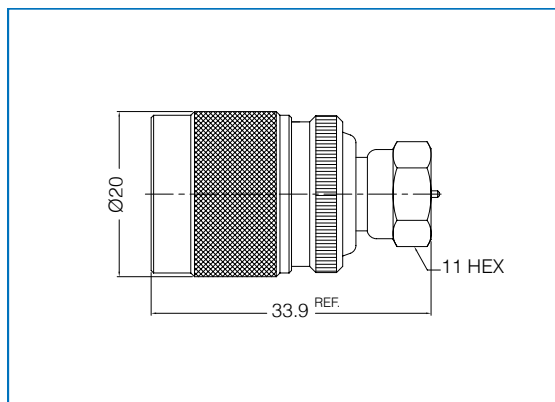
**N Jack to MINI SMB Plug**  
**75 Ohm**

BA-N7F-B7F-75



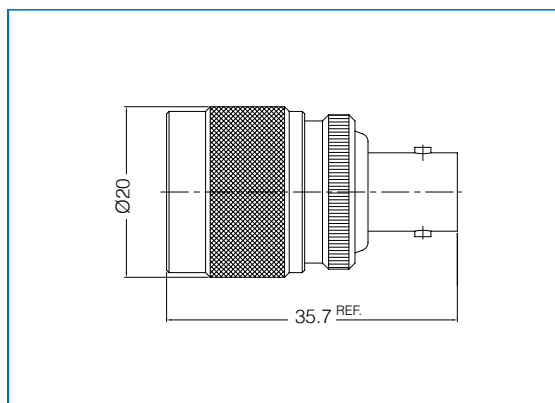
**N Plug to F Plug**  
**75 Ohm**

BA-N7M-TFM-75



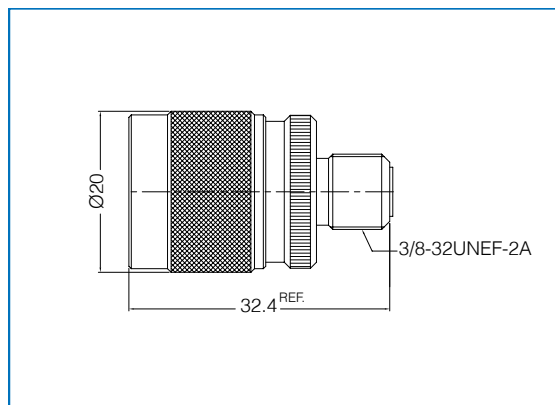
**N Plug to BNC Jack**  
**50 Ohm**

BA-N5M-C5F-50



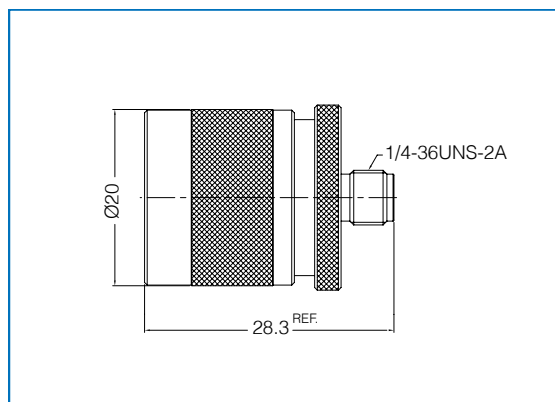
**N Plug to F Jack**  
**75 Ohm**

BA-N7M-TFF-75



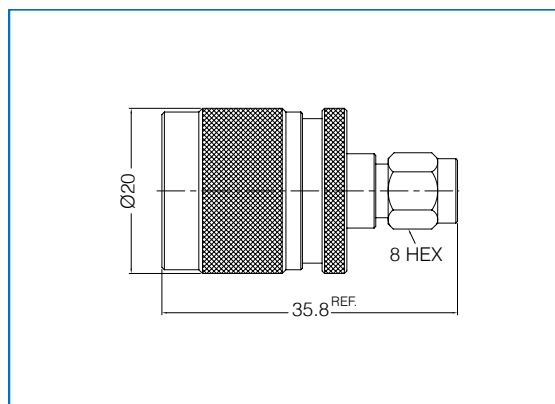
**N Plug to SMA Jack**  
**50 Ohm**

BA-N5M-SMF-50



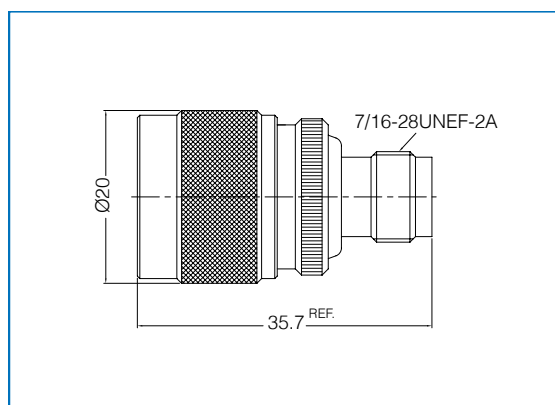
**N Plug to SMA Plug**  
**50 Ohm**

BA-N5M-SMM-50



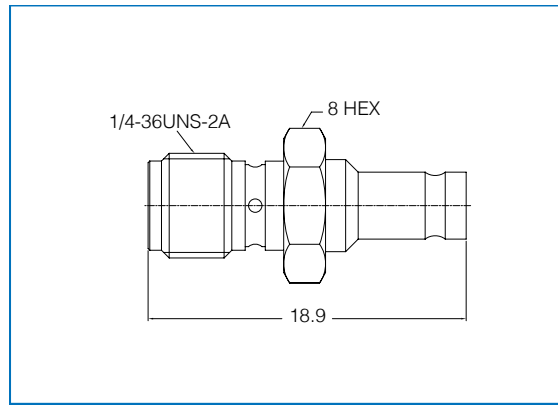
**N Plug to TNC Jack**  
**50 Ohm**

BA-N5M-T5F-50



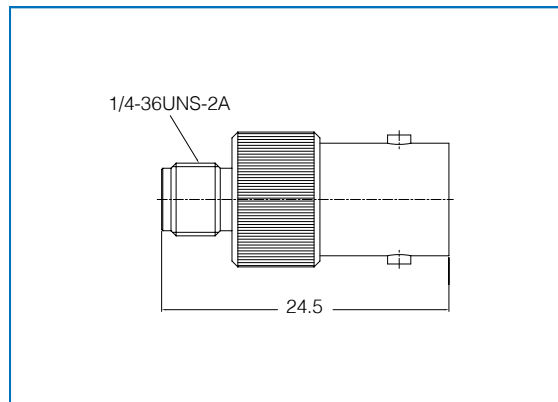
**SMA Jack to 1.0/2.3 Jack  
50 Ohm**

BA-SMF-D5F-50



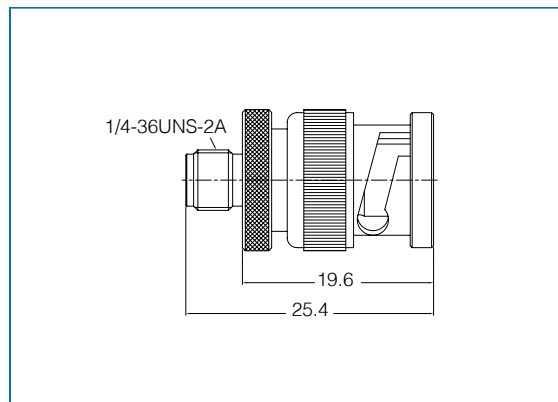
**SMA Jack to BNC Jack  
50 Ohm**

BA-SMF-C5F-50



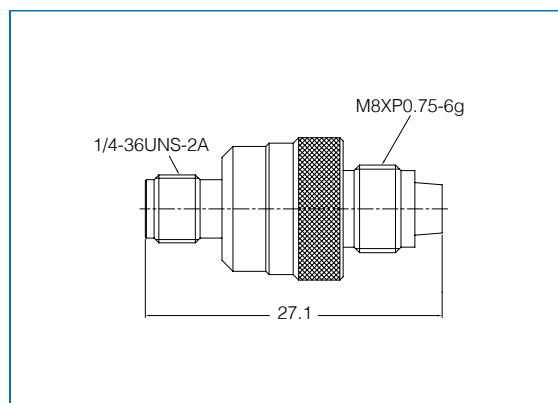
**SMA Jack to BNC Plug  
50 Ohm**

BA-SMF-C5M-50



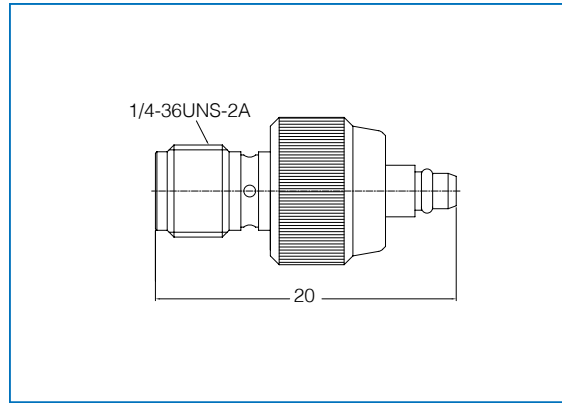
**SMA Jack to FME Jack  
50 Ohm**

BA-SMF-MEF-50



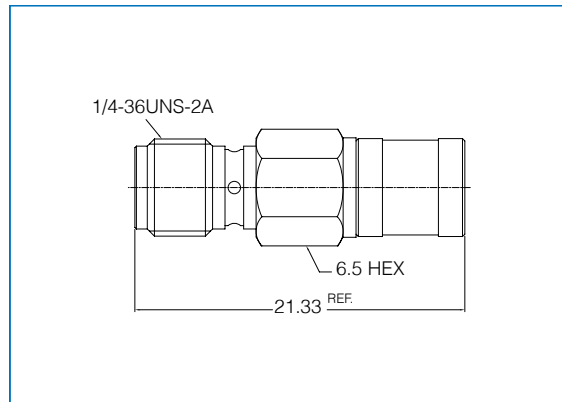
**SMA Jack to MMCX Plug  
50 Ohm**

BA-SMF-MMM-50



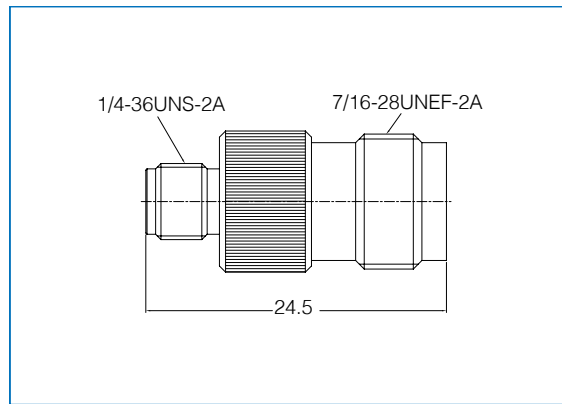
**SMA Jack to SMB Plug  
50 Ohm**

BA-SMF-B5F-50



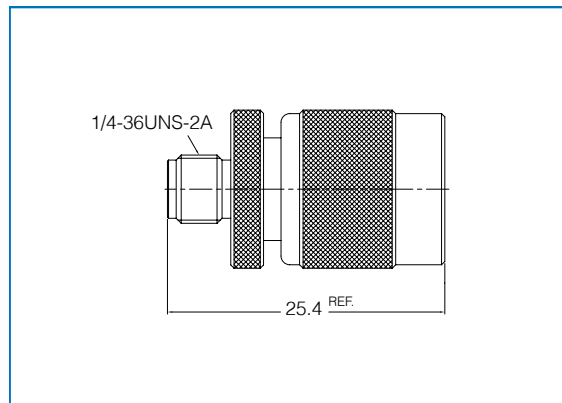
**SMA Jack to TNC Jack  
50 Ohm**

BA-SMF-T5F-50



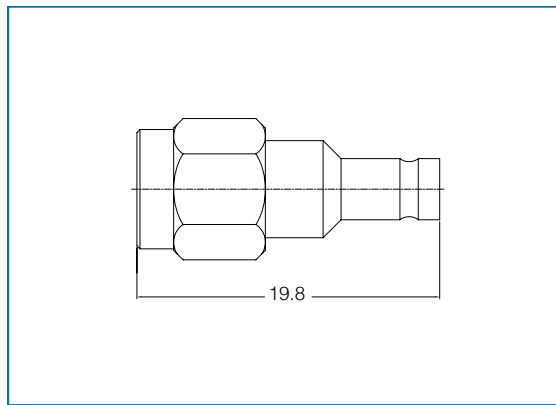
**SMA Jack to TNC Plug  
50 Ohm**

BA-SMF-T5M-50



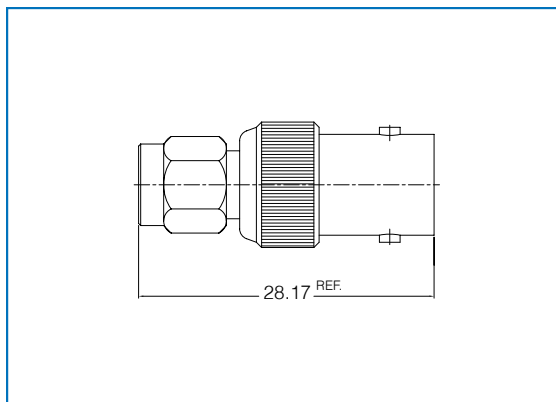
**SMA Plug to 1.0/2.3 Jack  
50 Ohm**

BA-SMM-D5F-50



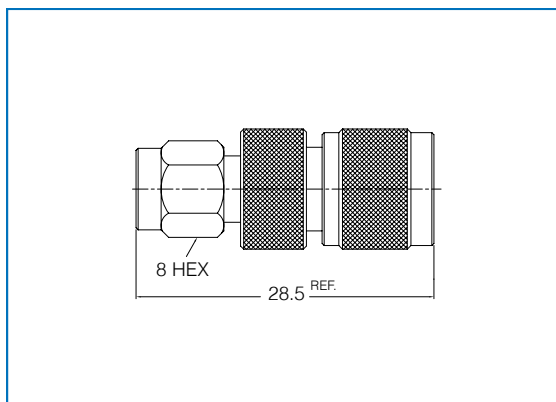
**SMA Plug to BNC Jack  
50 Ohm**

BA-SMM-C5F-50



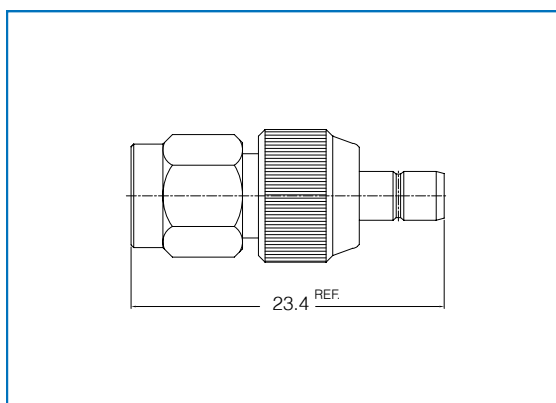
**SMA Plug to MINI-UHF Plug  
50 Ohm**

BA-SMM-MUM-50



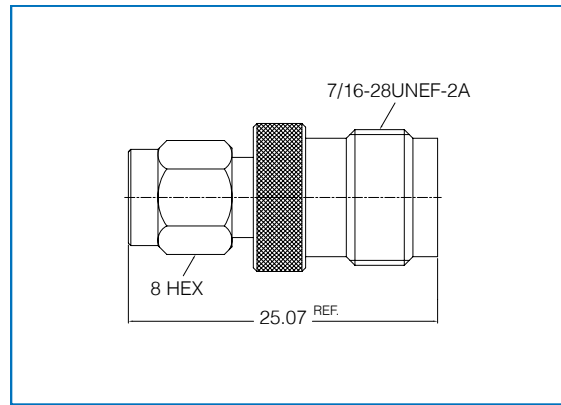
**SMA Plug to SMB Jack  
50 ohm**

BA-SMM-B5M-50



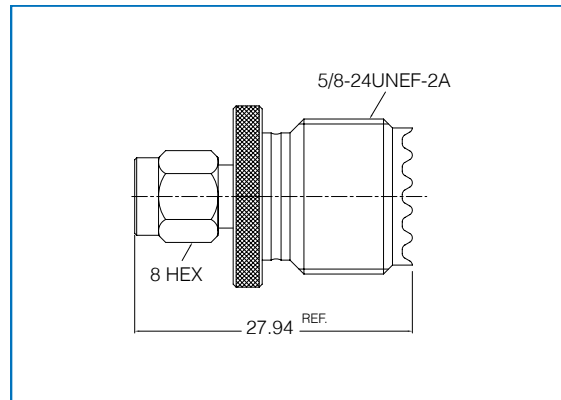
**SMA Plug to TNC Jack**  
**50 Ohm**

BA-SMM-T5F-50



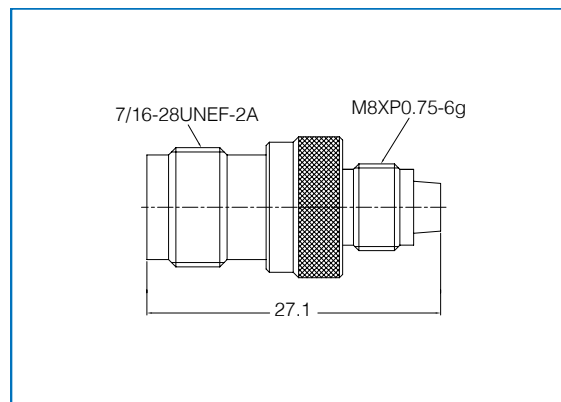
**SMA Plug to UHF Jack**  
**50 Ohm**

BA-SMM-AUF-50



**TNC Jack to FME Jack**  
**50 Ohm**

BA-T5F-MEF-50









# FIXED ATTENUATOR Series



ATTENUATOR

## FEATURES :

- High attenuation accuracy

## APPLICATIONS :

- Communications
- Digital transmission
- Radar
- Broadcast television
- Test equipment

## ***ELECTRICAL SPECIFICATIONS***

<u>Impedance</u>	<u>50 <math>\Omega</math></u>
<u>Frequency Range</u>	<u>DC – 18 GHz</u>
<u>Attenuation</u>	<u>1 dB ~ 40 dB</u>
<u>Attenuation Accuracy</u>	<u><math>\pm 0.3</math> dB</u>
<u>VSWR</u>	<u>1.25 max</u>
<u>Average Power</u>	<u>2 Watt</u>

## ***MATERIAL SPECIFICATIONS***

<u>Body and outer contacts</u>	<u>Brass, nickel or gold plated</u>
<u>Male contact</u>	<u>Brass, gold plated</u>
<u>Female contact</u>	<u>Beryllium Copper or Phosphor Bronze, gold plated</u>
<u>Insulator</u>	<u>PTFE</u>

## ***ENVIRONMENTAL***

<u>Temperature Range</u>	<u>-55°C to +150°C</u>
--------------------------	------------------------

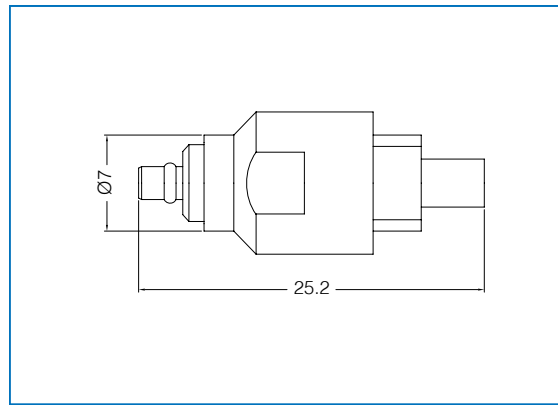
### MMCX Plug to Jack

AT-MMM-MMF

\* 06 = DC to 6 GHz

06 = 6 dB  $\pm$  0.5 dB

2 = 2 Watt



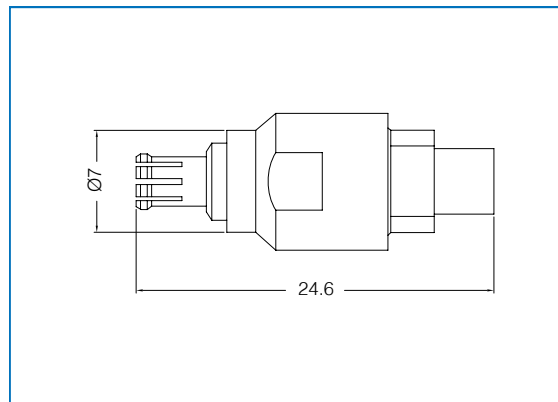
### MCX Plug to Jack

AT-M5M-M5F

\* 06 = DC to 6 GHz

04 = 4 dB  $\pm$  0.5 dB

2 = 2 Watt



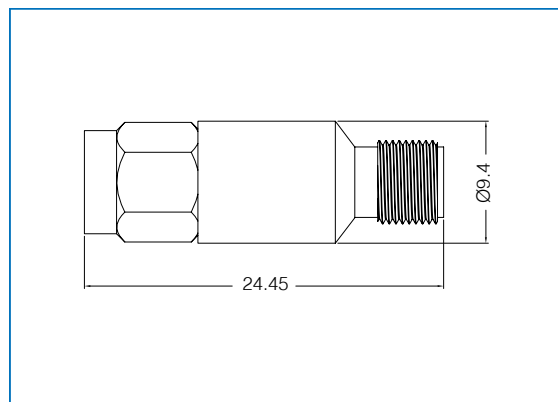
### SMA Plug to Jack

AT-SMM-SMF

\* 06 = DC to 6 GHz

10 = 10 dB  $\pm$  0.5 dB

2 = 2 Watt



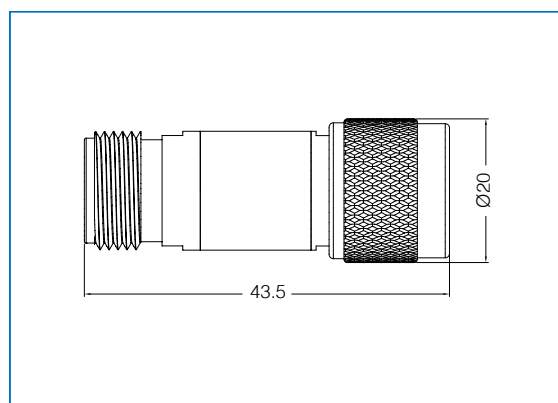
### N Plug to Jack

AT-N5M-N5F

\* 06 = DC to 6 GHz

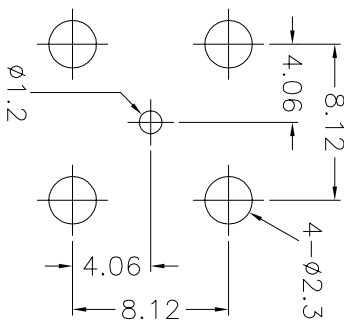
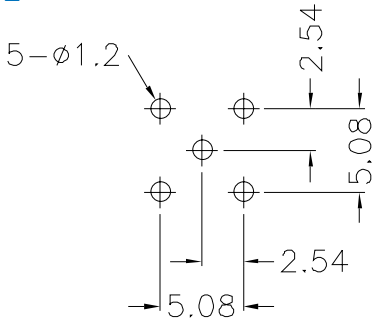
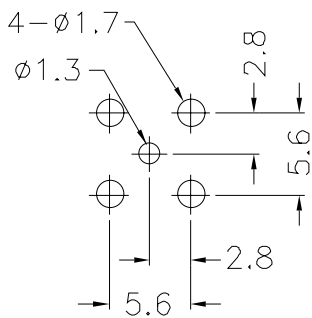
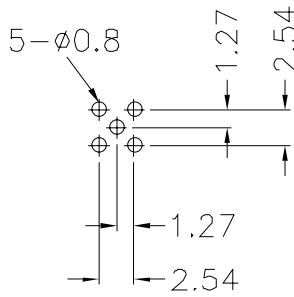
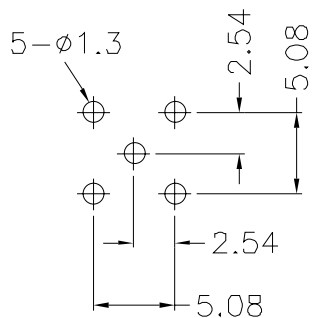
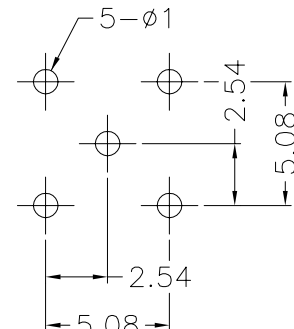
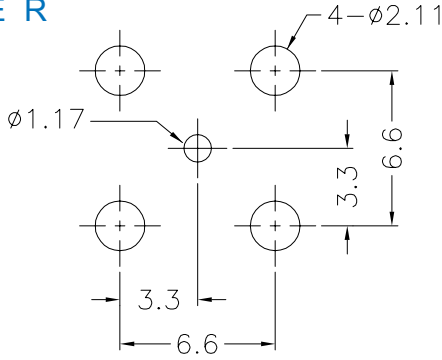
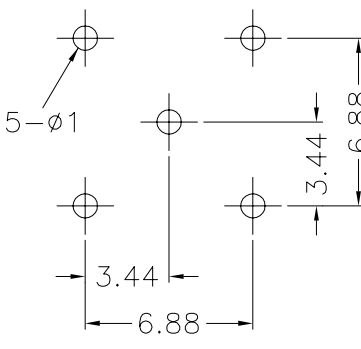
30 = 30 dB  $\pm$  1.5 dB

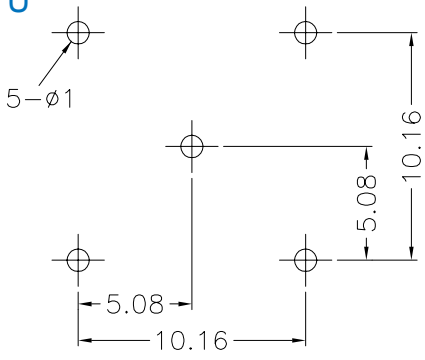
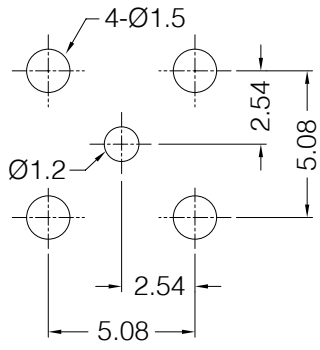
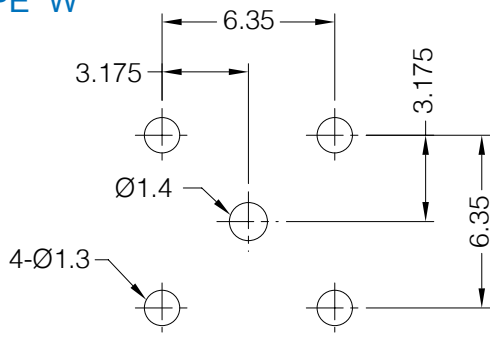
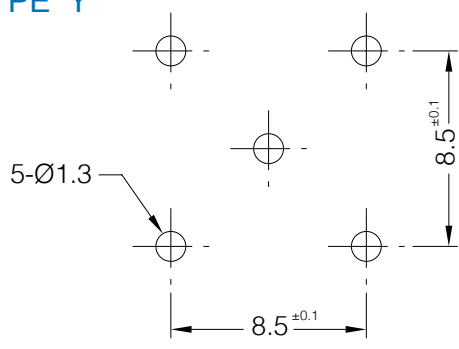
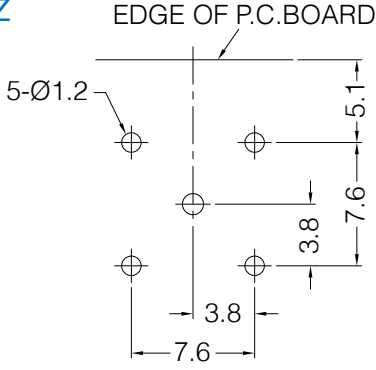
2 = 2 Watt



PCB Layouts - Dimensions in mm

<p><b>TYPE A</b></p> <p>4-<math>\phi</math>1.7  <math>\phi</math>1.5          2.54          5.08          2.54          5.08</p>	<p><b>TYPE B</b></p> <p>4-<math>\phi</math>1.7  <math>\phi</math>1.2          2.54          5.08          2.54          5.08</p>
<p><b>TYPE C</b></p> <p>4-<math>\phi</math>1.5  <math>\phi</math>1.3          3.175          6.35          3.175          6.35</p>	<p><b>TYPE E</b></p> <p>3-<math>\phi</math>1.7  <math>\phi</math>1.1          4.32          6.48          3.735          7.47</p>
<p><b>TYPE F</b></p> <p>4-<math>\phi</math>1.5  <math>\phi</math>1.3          5.08          10.16          5.08          10.16</p>	<p><b>TYPE G</b></p> <p>2-<math>\phi</math>2          2-<math>\phi</math>0.9          2.54          5.08          10.16          5.08          10.16</p>
<p><b>TYPE H</b></p> <p>2-<math>\phi</math>2          2-<math>\phi</math>0.9          10.16          5.08          5.08          2.54</p>	<p><b>TYPE J</b></p> <p>5-<math>\phi</math>1.7          10.2          10.2</p>

<p><b>TYPE K</b></p> 	<p><b>TYPE L</b></p> 
<p><b>TYPE M</b></p> 	<p><b>TYPE N</b></p> 
<p><b>TYPE P</b></p> 	<p><b>TYPE Q</b></p> 
<p><b>TYPE R</b></p> 	<p><b>TYPE T</b></p> 

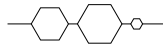
<p><b>TYPE U</b></p>  <p>5-Ø1</p>	<p><b>TYPE V</b></p>  <p>4-Ø1.5</p> <p>Ø1.2</p>
<p><b>TYPE W</b></p>  <p>4-Ø1.3</p> <p>Ø1.4</p>	<p><b>TYPE Y</b></p>  <p>5-Ø1.3</p>
<p><b>TYPE Z</b></p> <p>EDGE OF P.C. BOARD</p>  <p>5-Ø1.2</p>	



## Application Chart of Crimping Dies

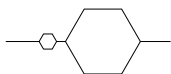


### Die Set No. 1317



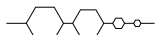
**Hex Sizes :** .213 / .255 / .068  
**Ferrule O.D. :** 7.5mm / 6.5mm  
**Contact O.D. :** 2.1mm  
**Cable Group :** RG-58, 59, 62, 223, LMR-195, LMR-200, LMR-240  
**For :** BNC, TNC, N, Mini-UHF

### Die Set No. 1319



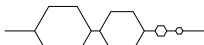
**Hex Sizes :** .10 / .429  
**Ferrule O.D. :** 12.4mm  
**Contact O.D. :** 3.0mm  
**Cable Group :** RG-8, 11, 213, 214  
**For :** N

### Die Set No. 1346



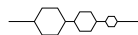
**FHex Sizes :** .213 / .178 / .068 / .042  
**ferrule O.D. :** 6.5mm / 5.3mm  
**Contact O.D. :** 2.1mm / 1.35mm  
**Cable Group :** RG-58, 174, Belden-1855A, Belden-8218, AT&T 735A, BT-3002  
**For :** BNC, True 75Ω BNC, TNC, N, SMA

### Die Set No. 1347



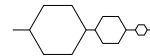
**Hex Sizes :** .324 / .255 / .068 / .042  
**Ferrule O.D. :** 9.5mm / 7.5mm  
**Contact O.D. :** 2.1mm / 1.35mm  
**Cable Group :** RG-6, 59, Belden-8241, Belden-8281, AT&T 734A, LMR-240  
**For :** BNC, True 75Ω BNC, TNC, N, SMA

### Die Set No. 1351



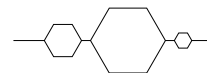
**Hex Sizes :** .178 / .128 / .068  
**Ferrule O.D. :** 5.3mm / 3.9mm  
**Contact O.D. :** 2.1mm  
**Cable Group :** RG-174, 188, 196, 316, 179, LMR-100  
**For :** BNC, TNC, SMA, SMB, SMC, MCX, MMCX

### Die Set No. 1352



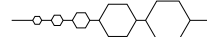
**Hex Sizes :** .324 / .178 / .068  
**Ferrule O.D. :** 9.5mm / 5.3mm  
**Contact O.D. :** 2.1mm  
**Cable Group :** RG-174, 179, 316, LMR-100, Belden-8281, RG-6, LMR-300  
**For :** BNC, TNC, N, SMA, SMB, SMC

### Die Set No. 1353



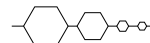
**Hex Sizes :** .213 / .429 / .10  
**Ferrule O.D. :** 6.5mm / 12.4mm  
**Contact O.D. :** 3.0mm  
**Cable Group :** RG-58, 8, 223, LMR-195, LMR-200  
**For :** N

### Die Set No. 1355



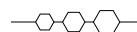
**Hex Sizes :** .052 / .068 / .10 / .213 / .255  
**Ferrule O.D. :** 7.5mm / 6.5mm  
**Contact O.D. :** 3.0mm / 2.1mm / 1.5mm  
**Cable Group :** RG-58, 59, 62, 223, LMR-195  
**For :** BNC, TNC, SMA, SMB, SMC, Mini-UHF, N

### Die Set No. 1376



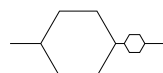
**Hex Sizes :** .255 / .178 / .068 / .052  
**Ferrule O.D. :** 7.5mm / 5.3mm  
**Contact O.D. :** 2.1mm / 1.5mm  
**Cable Group :** RG-59, 62, 223, 174, 179, 316, LMR-100  
**For :** BNC, TNC, N, SMA, SMB, SMC

### Die Set No. 1377



**Hex Sizes :** .105 / .128 / .151  
**Ferrule O.D. :** 4.4mm / 3.9mm  
**Contact O.D. :** 3.0mm  
**Cable Group :** RG-178, 316, 179, RD-179, RD-316, LMR-100  
**For :** SMA, SMB, SMC, MCX, MMCX

### Die Set No. 1380



**Hex Sizes :** .429 / .118  
**Ferrule O.D. :** 12.4mm  
**Contact O.D. :** 3.5mm  
**Cable Group :** Belden-9913, LMR-400  
**For :** BNC, TNC, N

Reflection → Conversion Table

VSWR	Rf	RL (dB)
1.010	0.005	46.06
1.020	0.0099	40.09
1.030	0.0148	36.61
1.040	0.0196	34.15
1.050	0.0244	32.26
1.060	0.0291	30.71
1.070	0.0338	29.42
1.080	0.0385	28.30
1.090	0.0431	27.32
1.100	0.0476	26.44
1.110	0.0521	25.66
1.120	0.0566	24.94
1.130	0.061	24.29
1.140	0.0654	23.69
1.150	0.0698	23.13
1.160	0.0741	22.61
1.170	0.0783	22.12
1.180	0.0826	21.66
1.190	0.0868	21.23
1.200	0.0909	20.83
1.210	0.095	20.44
1.220	0.0991	20.08
1.230	0.1031	19.73
1.240	0.1071	19.40
1.250	0.1111	19.08
1.260	0.115	18.78
1.270	0.1189	18.49
1.280	0.1228	18.22
1.290	0.1266	17.95
1.300	0.1304	17.69
1.310	0.1342	17.45
1.320	0.1379	17.21
1.330	0.1416	16.98
1.340	0.1453	16.75
1.350	0.1489	16.54
1.360	0.1525	16.33
1.370	0.1561	16.13
1.380	0.1597	15.94
1.390	0.1632	15.75

RL (dB)	Rf	VSWR
50.00	0.0032	1.006
49.00	0.0035	1.007
48.00	0.004	1.008
47.00	0.0045	1.009
46.00	0.005	1.010
45.00	0.0056	1.011
44.00	0.0063	1.013
43.00	0.0071	1.014
42.00	0.0079	1.016
41.00	0.0089	1.018
40.00	0.01	1.020
39.00	0.0112	1.023
38.00	0.0126	1.025
37.00	0.0141	1.029
36.00	0.0158	1.032
35.00	0.0178	1.036
34.00	0.02	1.041
33.00	0.0224	1.046
32.00	0.0251	1.052
31.00	0.0282	1.058
30.00	0.0316	1.065
29.00	0.0355	1.074
28.00	0.0398	1.083
27.00	0.0447	1.094
26.00	0.0501	1.106
25.00	0.0562	1.119
24.00	0.0631	1.135
23.00	0.0708	1.152
22.00	0.0794	1.173
21.00	0.0891	1.196
20.00	0.1	1.222
19.00	0.1122	1.253
18.00	0.1259	1.288
17.00	0.1413	1.329
16.00	0.1585	1.377
15.00	0.1778	1.433
14.00	0.1995	1.499
13.00	0.2239	1.577
12.00	0.2512	1.671

Rf	RL (dB)	VSWR
0.005	46.02	1.010
0.010	40.00	1.020
0.015	36.48	1.030
0.020	33.98	1.041
0.025	32.04	1.051
0.030	30.46	1.062
0.035	29.12	1.073
0.040	27.96	1.083
0.045	26.94	1.094
0.050	26.02	1.105
0.055	25.19	1.116
0.060	24.44	1.128
0.065	23.74	1.139
0.070	23.10	1.151
0.075	22.50	1.162
0.080	21.94	1.174
0.085	21.41	1.186
0.090	20.92	1.198
0.095	20.45	1.210
0.100	20.00	1.222
0.105	19.58	1.235
0.110	19.17	1.247
0.115	18.79	1.260
0.120	18.42	1.273
0.125	18.06	1.286
0.130	17.72	1.299
0.135	17.39	1.312
0.140	17.08	1.326
0.145	16.77	1.339
0.150	16.48	1.353
0.155	16.19	1.367
0.160	15.92	1.381
0.165	15.65	1.395
0.170	15.39	1.410
0.175	15.14	1.424
0.180	14.88	1.439
0.185	14.66	1.454
0.190	14.42	1.469
0.195	14.20	1.484

VSWR = Voltage Standing Wave Ratio    Rf = Reflection Coefficient    RL = Return Loss

[www.ConductRF.com](http://www.ConductRF.com)



Tel +1 860 323 8001  
eMail: [sales@ConductRF.com](mailto:sales@ConductRF.com)