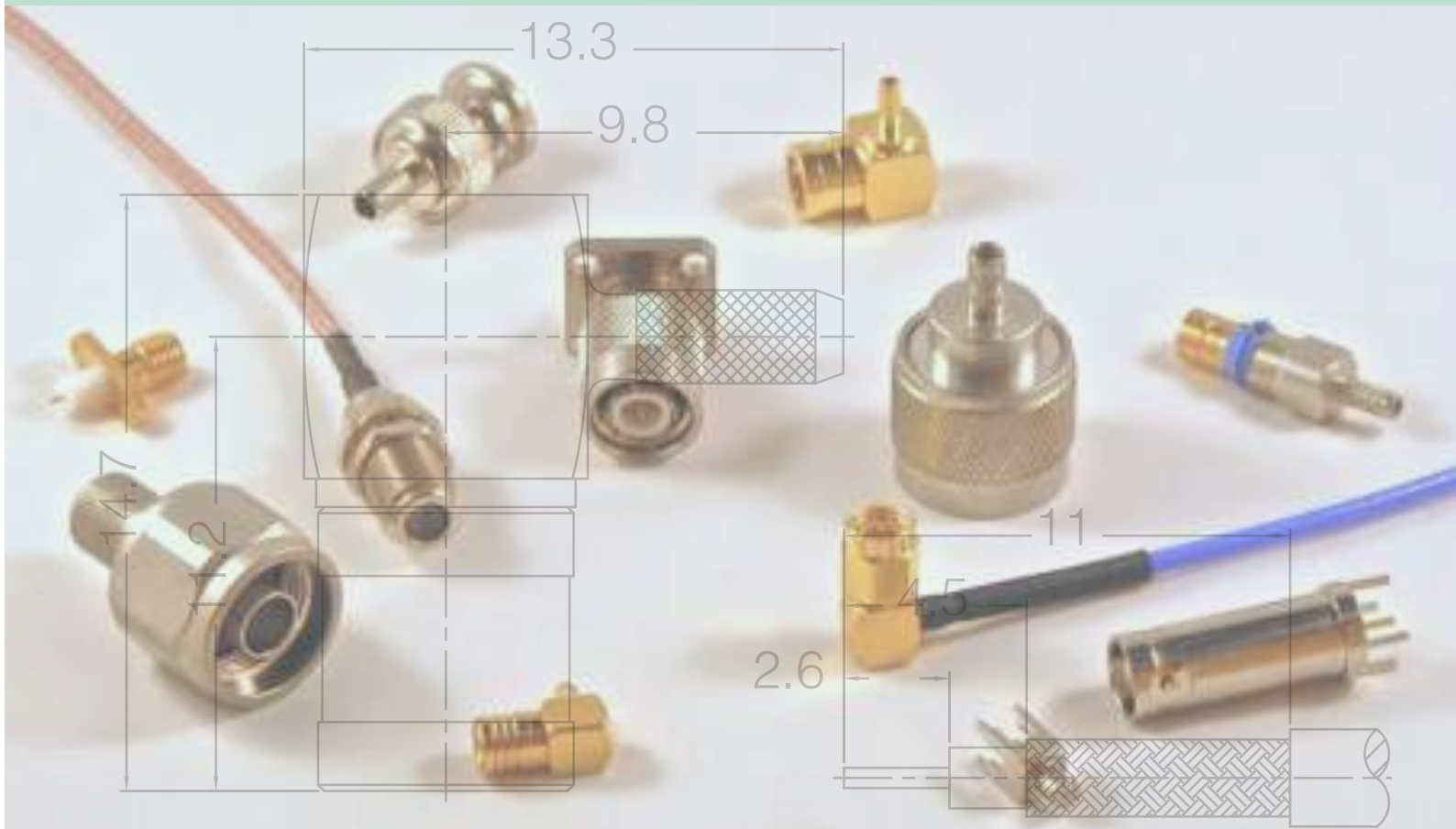


# RF Connectors



- Cable Connectors
- PCB Connectors
- Mounting Details

[www.ConductRF.com](http://www.ConductRF.com)





---

# Introduction

Conduct RF has over 30 years experience in the manufacturing and support of RF Connectors and Cable Assemblies. In addition to our standard broad line catalog offering, shown here, Conduct RF also has the skill and knowledge to develop and produce modified standard interface connectors, that better suit specific application needs. If required Conduct RF is also willing to develop uniquely custom solutions that offer features & benefits not available with standard configurations and interfaces that meet specific customer needs.

Conduct RF's product is designed to meet the requirements of applications found in the following markets; Communications, Defense, Medical Infrastructure, Commercial Aerospace, Test & measurements and Scientific Research.

The product offered within this catalog is manufactured in Tainan, Taiwan by our team of experienced industry professionals. With the aid of the latest Japanese machining centers, our manufacturing team ensures the delivery of high quality product in volume to meet the needs of a diverse array of applications.

Our connector design team is collocated with manufacturing and utilizes performance simulation software to optimize the design of our product for a excellent performance across a broad frequency range. Custom requirements can be modeled to optimize performance within a specified bandwidth if desired.

Our product is produced in accordance with ISO9001 certification, testifying to our commitment to quality. Other approvals for specific industries may be available for specific products or application needs on request.



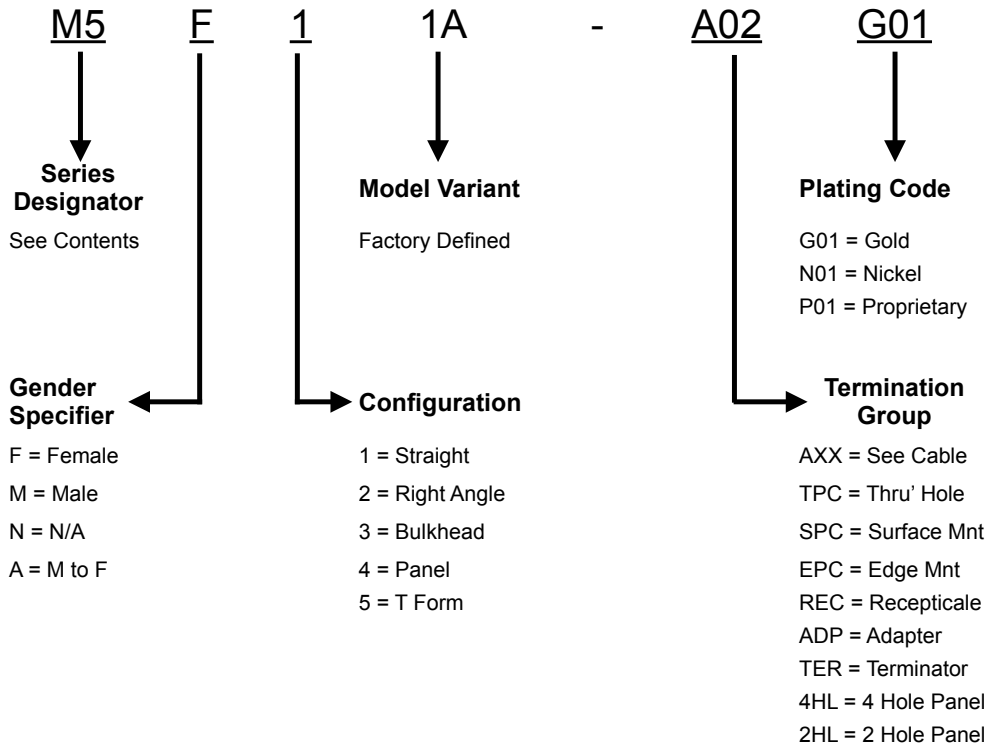


---

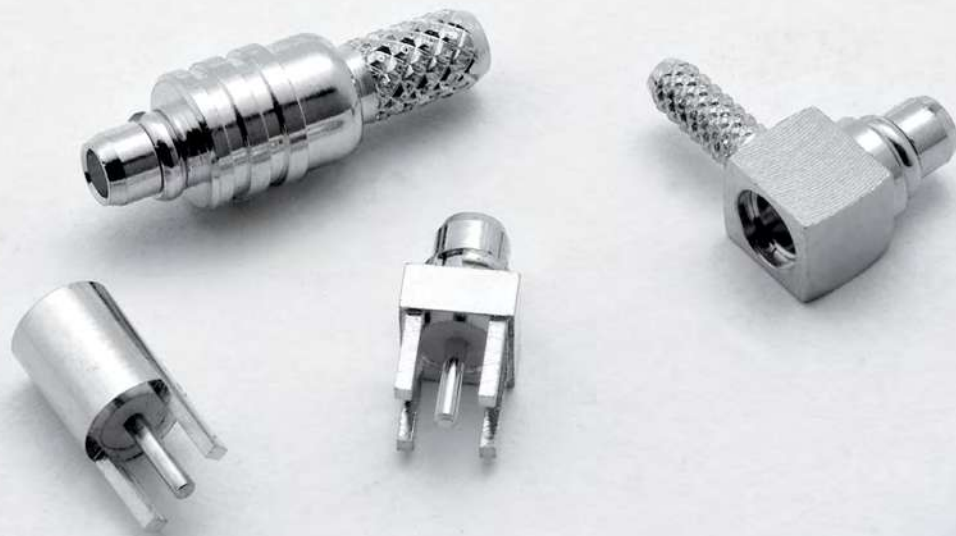
# CONTENTS

1. <b>MMCX</b> ( MM ).....	5
2. <b>MCX</b> ( M5 - 50 $\Omega$ / M7 - 75 $\Omega$ ).....	15
3. <b>SMA</b> ( SA ).....	25
4. <b>SMB / MINI SMB</b> ( B5 - 50 $\Omega$ / B7 - 75 $\Omega$ ).....	43
5. <b>1.0 / 2.3</b> ( D5 - 50 $\Omega$ / D7 - 75 $\Omega$ ).....	55
6. <b>1.6 / 5.6</b> ( DE ).....	63
7. <b>SMZ / BT43</b> ( BT ).....	71
8. <b>BNC</b> ( C5 - 50 $\Omega$ / C7 - 75 $\Omega$ ).....	79
9. <b>TNC</b> ( T5 - 50 $\Omega$ / T7 - 75 $\Omega$ ).....	95
10. <b>N</b> ( N5 - 50 $\Omega$ / N7 - 75 $\Omega$ ).....	107
11. <b>F &amp; G</b> ( TF / TG ).....	123
12. <b>7/16</b> ( DD ).....	135
13. <b>Between Series Adapters</b> ( BA ).....	141
14. <b>Fixed Attenuator</b> ( AT ).....	153
15. <b>PCB Layouts</b> .....	156
16. <b>Crimping Dies</b> .....	159
17. <b>Reflection Conversion Table</b> .....	160

## PART NUMBER CONFIGURATION



# MMCX Series - MM



## **FEATURES :**

- Quick connect / disconnect
- Snap-on mating
- Low-Profile PCB receptacles
- Operates to 6GHz
- Works with standard RG cables
- 360Deg Rotation

## **APPLICATIONS :**

- Antennas
- Wireless Base Stations
- PCMCIA Cards
- GPS
- Telecom
- Radio Boards

**ELECTRICAL SPECIFICATIONS**

<u>Impedance</u>	<u>50 Ω</u>
<u>Frequency Range</u>	<u>0 – 6 GHz</u>
<u>Working Voltage</u>	<u>≤ 170 VRMS at sea level</u>
<u>Dielectric Withstanding Voltage</u>	<u>500 VRMS at sea level</u>
<u>VSWR</u>	<u>Straight : 1.3 max</u>
	<u>Right Angle : 1.5 max</u>
<u>Contact Resistance</u>	<u>Center Contact : ≤ 5 mΩ</u>
	<u>Outer Contact : ≤ 2.5 mΩ</u>
<u>Insulator Resistance</u>	<u>1000 MΩ min.</u>

**MATERIAL SPECIFICATIONS**

<u>Body and outer contacts</u>	<u>Brass, gold plated</u>
<u>Male contact</u>	<u>Brass, gold plated</u>
<u>Female contact</u>	<u>Beryllium Copper, gold plated</u>
<u>Insulator</u>	<u>PTFE</u>
<u>Crimp ferrule</u>	<u>Copper or brass, gold plated</u>

**MECHANICAL SPECIFICATIONS**

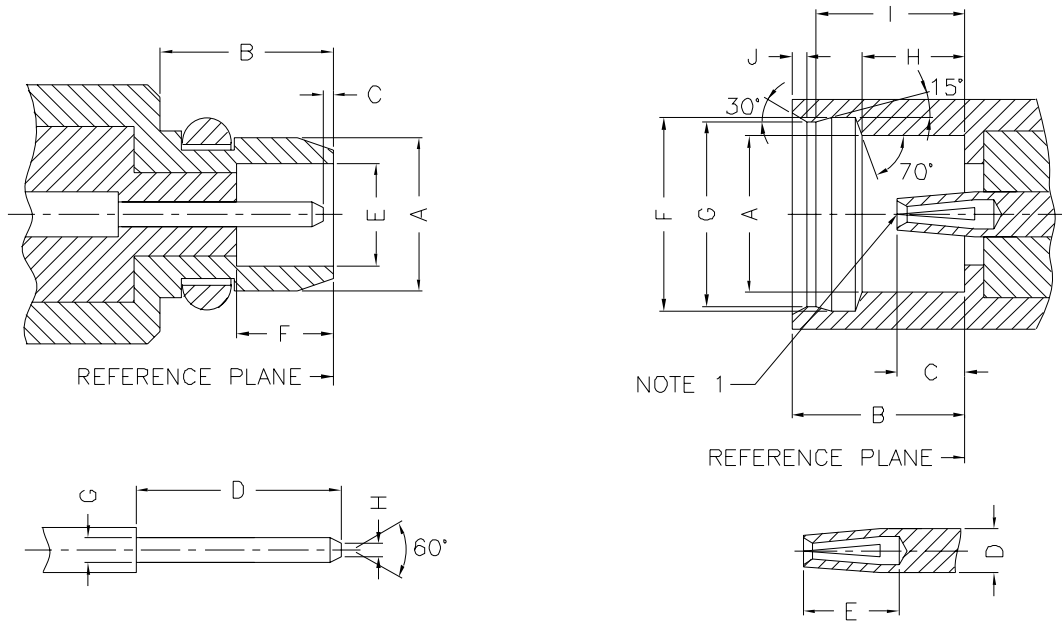
<u>Contact Retention</u>	<u>≥ 2.3 lbs</u>
<u>Engagement Force</u>	<u>≤ 3.4 lbs</u>
<u>Disengagement Force</u>	<u>≥ 1.4 lbs</u>
<u>Durability (matings)</u>	<u>500 cycles min.</u>

**ENVIRONMENTAL**

<u>Temperature Range</u>	<u>-55°C to +155°C</u>
--------------------------	------------------------



## INTERFACE MATING DIMENSIONS



PLUG		
Letter	Millimeters	
	Minimum	Maximum
A	-	2.40
B	2.70	-
C	0.00	0.25
D	-	3.15
E	1.58	1.62
F	1.45	-
G	0.38	0.42
H	-	0.20

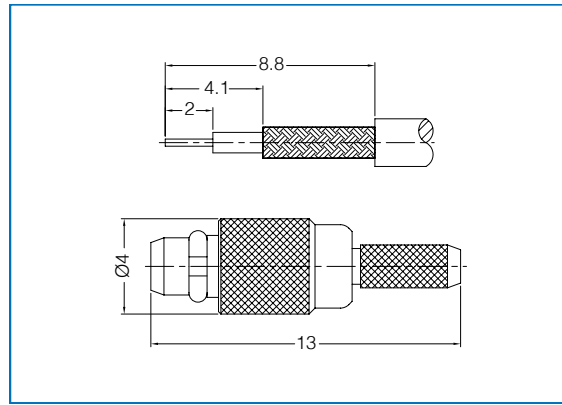
JACK		
Letter	Millimeters	
	Minimum	Maximum
A	2.41	-
B	2.60	-
C	0.90	1.20
D	0.68	0.72
E	1.40	-
F	3.00	3.04
G	2.87	2.90
H	1.57	1.63
I	2.30	2.34
J	-	0.23

**Note 1** : I.D. to meet VSWR and contact resistance when mated with 0.38/0.42 mm dia. pin.

**Straight Plug, Crimp**

MMM11A-AXXG01

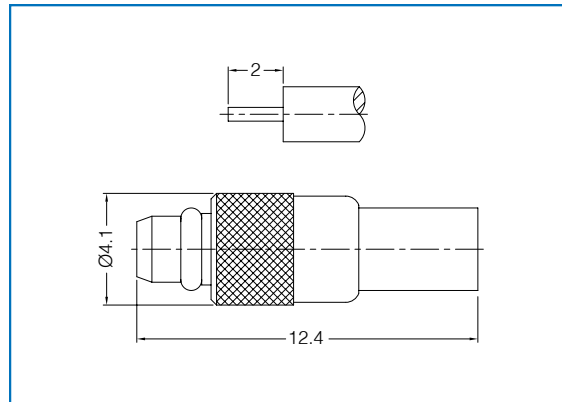
Cable group : 01, 02, 04, 06, 07



**Straight Plug, Solder**

MMM11B-AXXG01

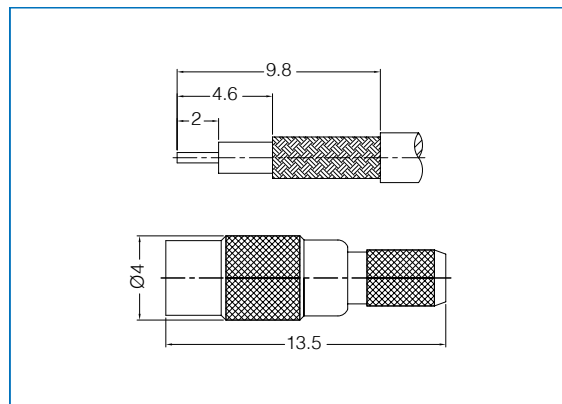
Cable group : 28, 33



**Straight Jack, Crimp**

MMF11A-AXXG01

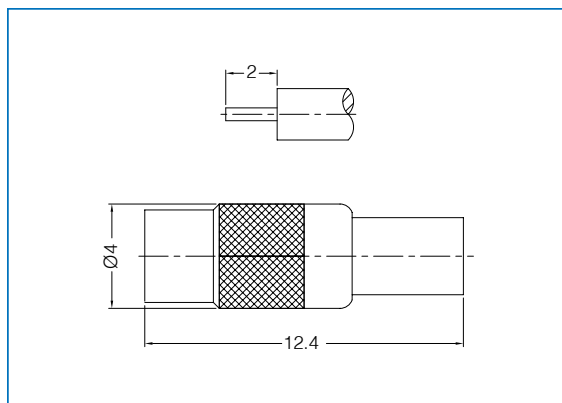
Cable group : 01, 02, 04, 06, 07



**Straight Jack, Solder**

MMF11B-AXXG01

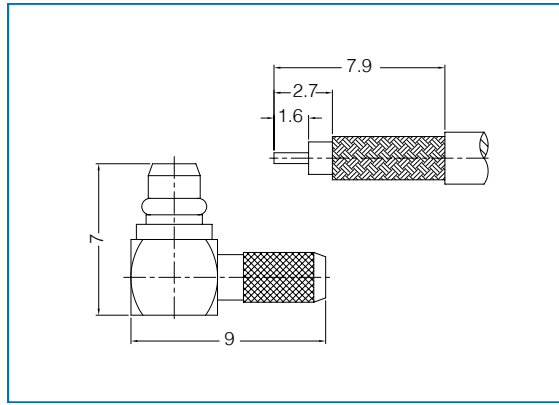
Cable group : 28, 33



### Right Angle Plug, Crimp

MMM21A-AXXG01

Cable group : [01](#), [02](#), [04](#)

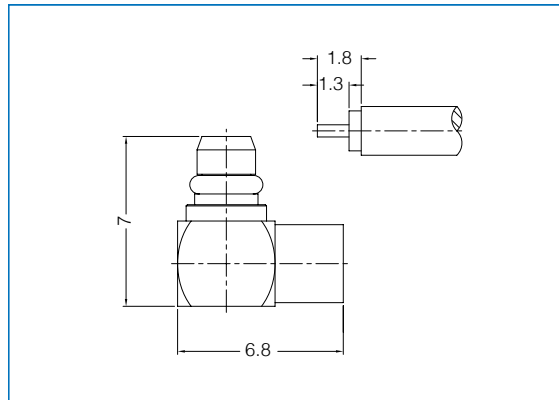


Cable Groups

### Right Angle Plug, Solder

MMM21B-AXXG01

Cable group : [28](#), [33](#)

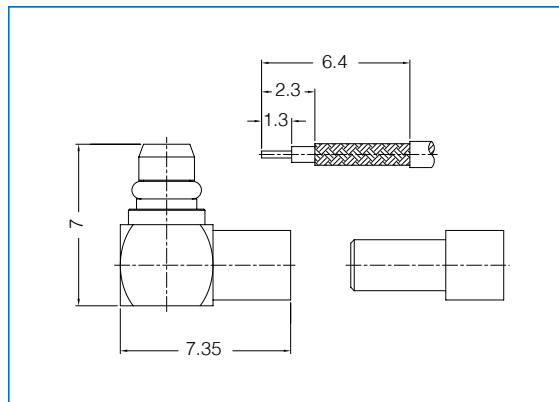


- |                                          |                                |                                   |                                  |                             |                            |
|------------------------------------------|--------------------------------|-----------------------------------|----------------------------------|-----------------------------|----------------------------|
| A01 - 50Ω - RG-178, 198                  | A08 - 50Ω - LMR200             | A15 - 75Ω - RG-6                  | A22 - 75Ω - AT&T 734A            | A29 - 50Ω - 141SR - RG-402U | A37 - 75Ω - FLEX 5         |
| A02 - 50Ω - RG-174, 188A, 316, LMR100    | A09 - 50Ω - RG-59U Plenum      | A16 - 50Ω - 8X - LMR240           | A23 - 75Ω - AT&T 735A            | A30 - 50Ω - 1.13mm OD micro | A38 - 50Ω - 3D-2V          |
| A03 - 75Ω - RG-179, 187                  | A10 - 75Ω - RG-59, 62          | A17 - 50Ω - LMR400, Belden 9913   | A24 - 50Ω - LMR600               | A31 - 50Ω - 1.32mm OD micro | A39 - 50Ω - 5D-2V          |
| A04 - 50Ω - RD-316U                      | A11 - 75Ω - Belden 1505A       | A18 - 50Ω - RG-8, 9A, 9, 213, 214 | A25 - 75Ω - Belden 1696A         | A32 - 50Ω - 1.37mm OD micro | A40 - 50Ω - 8D-2V          |
| A05 - 75Ω - RD-179U                      | A12 - 75Ω - Belden 8281        | A19 - 75Ω - RG6U, Quad            | A26 - 75Ω - Belden 8218          | A33 - 50Ω - 047SR cable     | A41 - 50Ω - 5D-FB, LMR300  |
| A06 - 50Ω - RG-58, 58A, 58C, 141, LMR195 | A13 - 75Ω - RG-59U Quad Shield | A20 - 75Ω - RG-11                 | A27 - 75Ω - BT-3002              | A34 - 75Ω - FLEX 2          | A42 - 50Ω - 1/4" Superflex |
| A07 - 50Ω - RG-55, 142, 223, 400         | A14 - 75Ω - RG-59U Plenum      | A21 - 75Ω - Belden 1694A          | A28 - 50Ω - 0885/0885RF, RG-405U | A35 - 75Ω - FLEX 3          | A43 - 50Ω - 1/2" Superflex |

### Right Angle Plug, Crimp

MMM21C-AXXG01

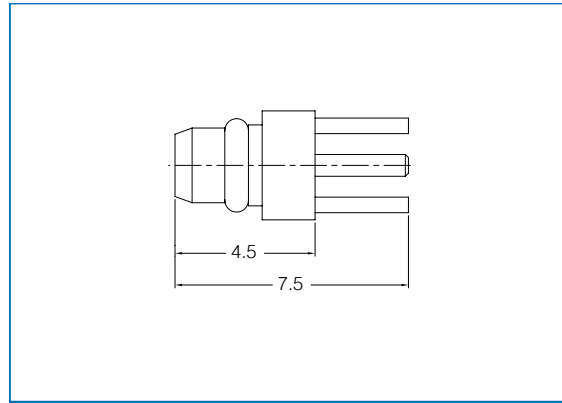
Cable group : [30](#), [31](#), [32](#)



**Straight Plug, PCB Mount**

MMM11A-TPCG01

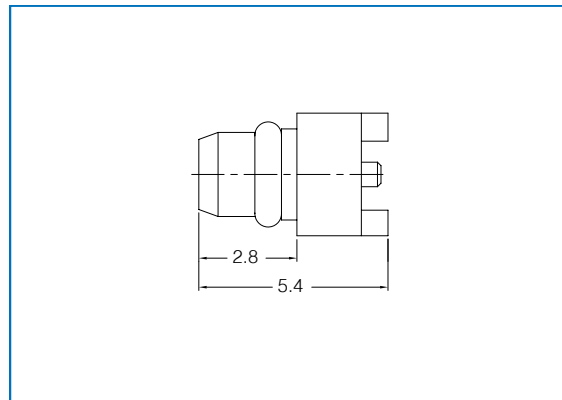
\* Mounting hole : "N"



**Straight Plug, Surface Mount**

MMM11A-SPCG01

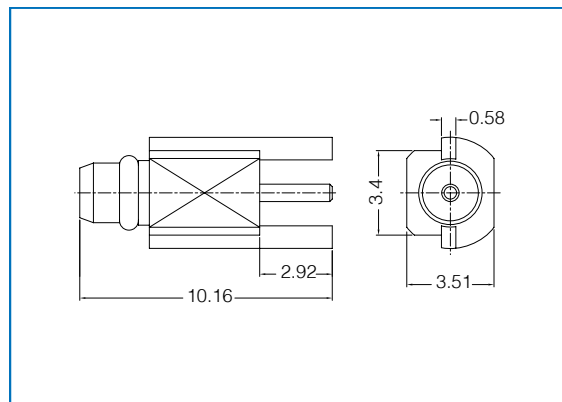
\* Mounting Details : "See Drawing"



**Straight Plug, Edgecard Mount**

MMM11A-EPCG01

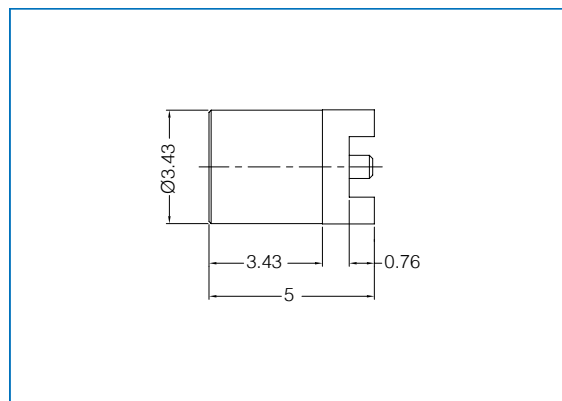
\* Mounting Details : "See Drawing"



**Straight Jack, PCB Mount**

MMF11A-SPCG01

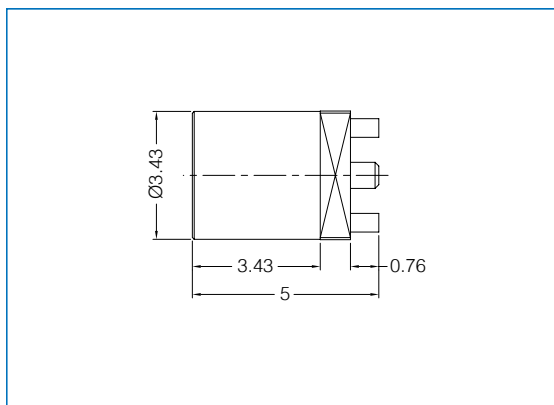
\* Mounting Details : "See Drawing"



**Straight Jack, Surface Mount Square Base**

MMF12A-SPCG01

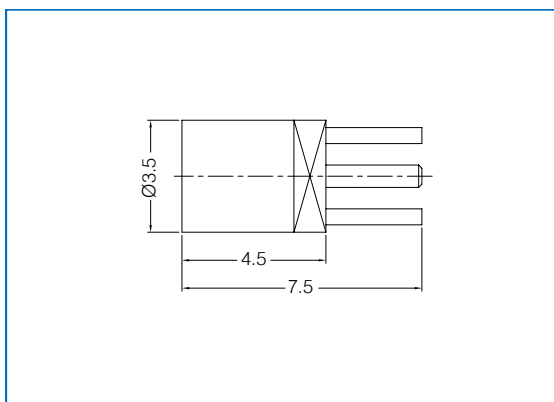
\* Mounting Details : “See Drawing”



**Straight Jack, PCB Mount Square Base**

MMF12A-TPCG01

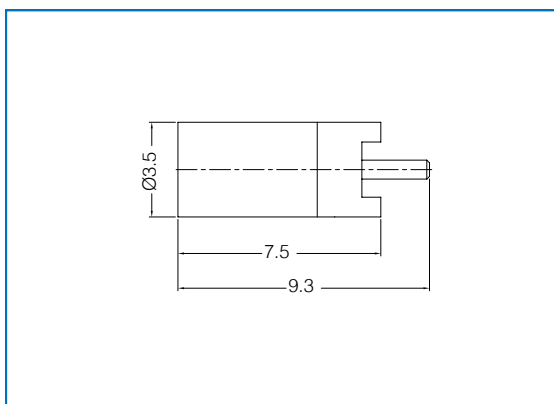
\* Mounting Details : “See Drawing”



**Straight Jack, PCB Mount Thru' Hole Center Pin**

MMF13A-TPCG01

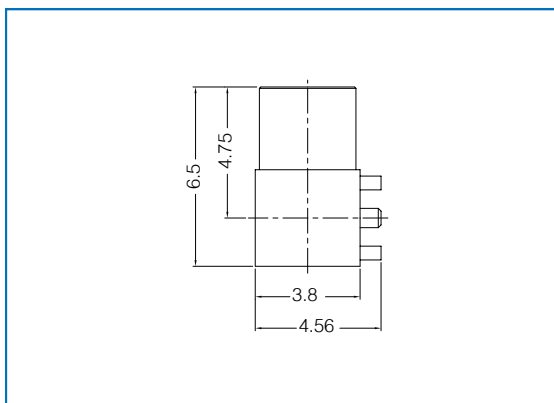
\* Mounting Details : “See Drawing”



**Right Angle Jack, PCB Surface Mount**

MMF21A-SPCG01

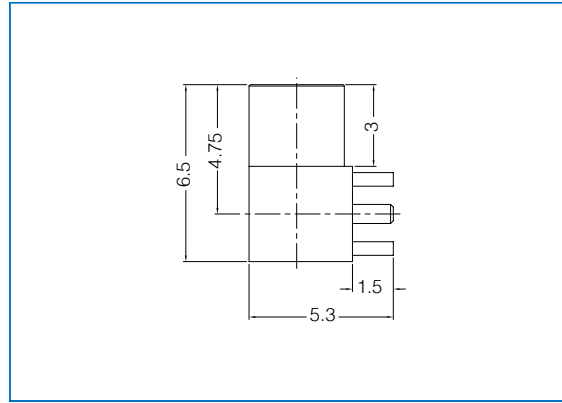
\* Mounting Details : “See Drawing”



**Right Angle Jack, PCB Mount**

MMF21A-TPCG01

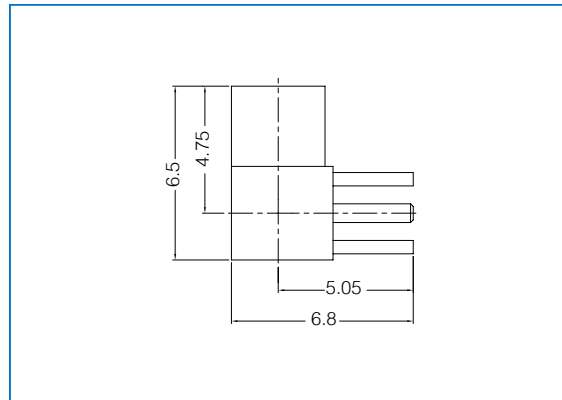
\* Mounting Details : “See Drawing”



**Right Angle Jack, PCB Mount**

MMF21B-TPCG01

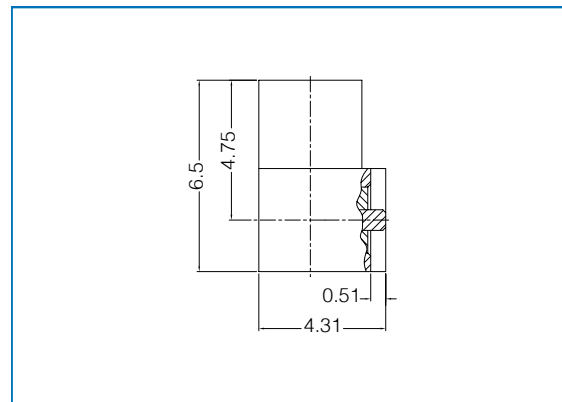
\* Mounting hole : “N”



**Right Angle Jack, PCB Mount  
Modified Surface Mount**

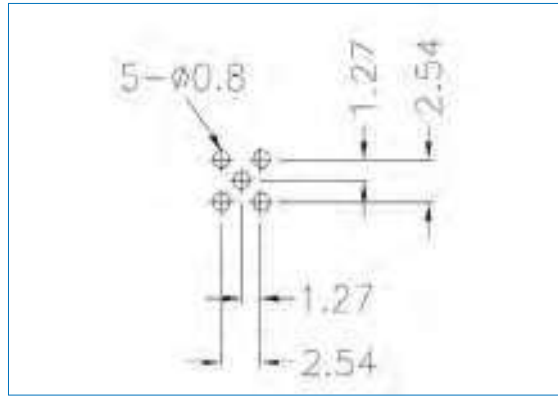
MMF22A-SPCG01

\* Mounting Details : “See Drawing”



PCB Layouts

Layout-N







# MCX Series - M5 (50 Ω) / M7 (75 Ω)



MCX

## FEATURES :

- Push-on / pull-off mating
- Weight and space saving
- Available for both 50Ω and 75Ω
- Compliant to CECC22220
- 30% Smaller than SMB

## APPLICATIONS :

- Base Stations
- Power Amplifiers
- Instrumentation
- Broadband Modules
- Cellular & GPS
- Wireless Network Antennas

**ELECTRICAL SPECIFICATIONS**

<u>Impedance</u>	<u>50 <math>\Omega</math> / 75 <math>\Omega</math></u>
<u>Frequency Range</u>	<u>0 – 6 GHz / 0-3 GHz</u>
<u>Working Voltage</u>	<u><math>\leq</math> 335 VRMS at sea level</u>
<u>Dielectric Withstanding Voltage</u>	<u>100 VRMS at sea level</u>
<u>VSWR</u>	<u>Straight : 1.3 max</u>
	<u>Right Angle : 1.5 max</u>
<u>Contact Resistance</u>	<u>Center Contact : <math>\leq</math> 5 m<math>\Omega</math></u>
	<u>Outer Contact : <math>\leq</math> 2.5 m<math>\Omega</math></u>
<u>Insulator Resistance</u>	<u>1000 M<math>\Omega</math> min.</u>

**MATERIAL SPECIFICATIONS**

<u>Body and outer contacts</u>	<u>Brass, gold plated</u>
<u>Male contact</u>	<u>Brass, gold plated</u>
<u>Female contact</u>	<u>Beryllium Copper, gold plated</u>
<u>Insulator</u>	<u>PTFE</u>
<u>Crimp ferrule</u>	<u>Copper or brass, gold plated</u>

**MECHANICAL SPECIFICATIONS**

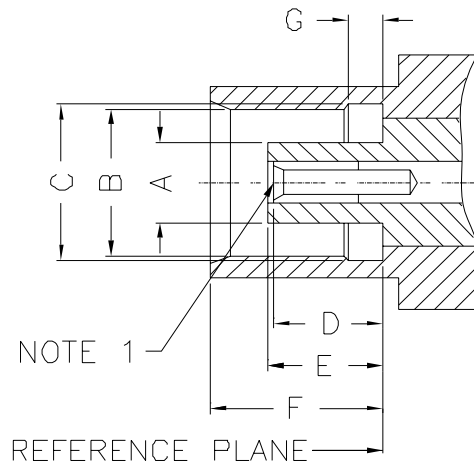
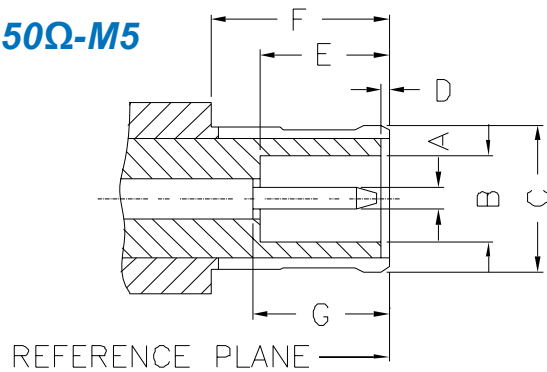
<u>Contact Retention</u>	<u><math>\geq</math> 2.3 lbs</u>
<u>Engagement Force</u>	<u><math>\leq</math> 5.6 lbs</u>
<u>Disengagement Force</u>	<u><math>\geq</math> 2.3 lbs</u>
<u>Durability (matings)</u>	<u>500 cycles min.</u>

**ENVIRONMENTAL**

<u>Temperature Range</u>	<u>-55°C to +155°C</u>
--------------------------	------------------------

## INTERFACE MATING DIMENSIONS

### 50Ω-M5

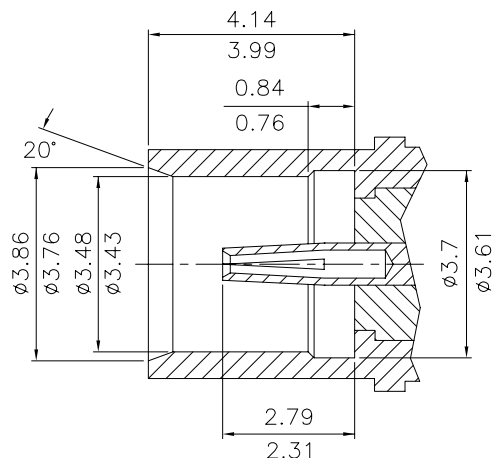
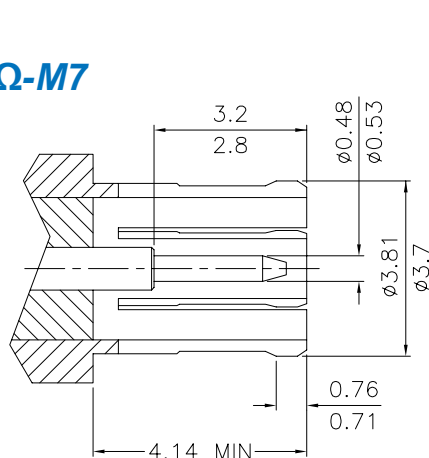


PLUG		
Letter	Millimeters	
	Minimum	Maximum
A	0.48	0.53
B	2.00	2.07
C	3.66	3.76
D	0.00	0.30
E	2.81	3.20
F	4.16	-
G	2.81	3.20

JACK		
Letter	Millimeters	
	Minimum	Maximum
A	1.80	1.97
B	3.43	3.48
C	3.61	3.75
D	2.31	2.79
E	2.61	2.79
F	4.00	4.12
G	0.75	0.85

**Note 1** : I.D. to meet VSWR and contact resistance when mated with 0.48/0.53 mm dia. pin.

### 75Ω-M7



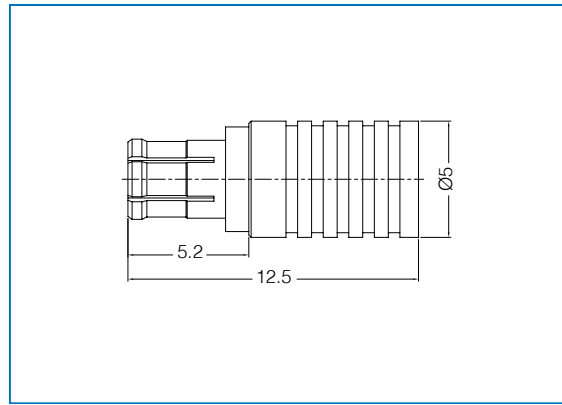
MCX

**Termination Plug  
1 Watt**

MYM11A-TERG01

Impedance  $Y = 5 = 50 \text{ Ohm}$

$Y = 7 = 75 \text{ Ohm}$



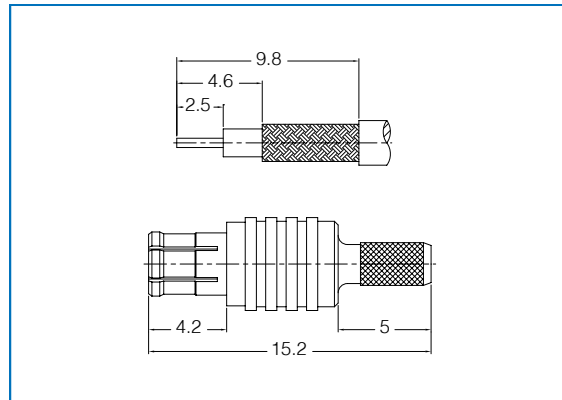
**Straight Plug, Crimp**

MYM11A-AXXG01

Cable group : 01, 02, 03, 04, 05, 06

Impedance  $Y = 5 = 50 \text{ Ohm}$

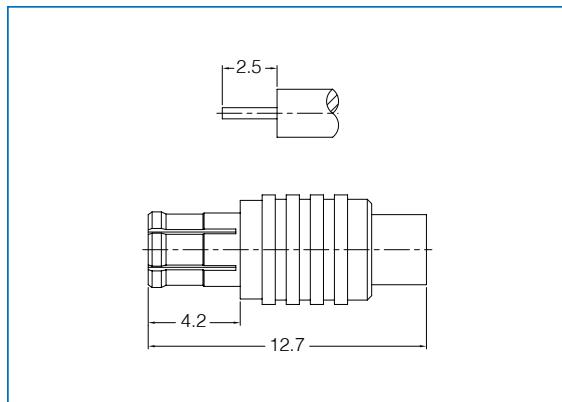
$Y = 7 = 75 \text{ Ohm}$



**Straight Plug, Solder**

M5M11B-AXXG01

Cable group : 28, 29, 33



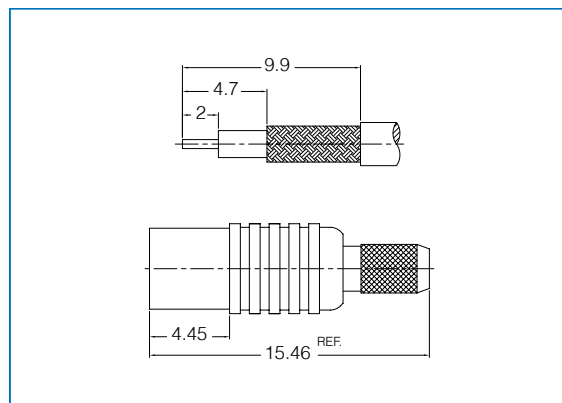
**Straight Jack, Crimp**

MYF11A-AXXG01

Cable group : 01, 02, 03, 04, 05, 06

Impedance  $Y = 5 = 50 \text{ Ohm}$

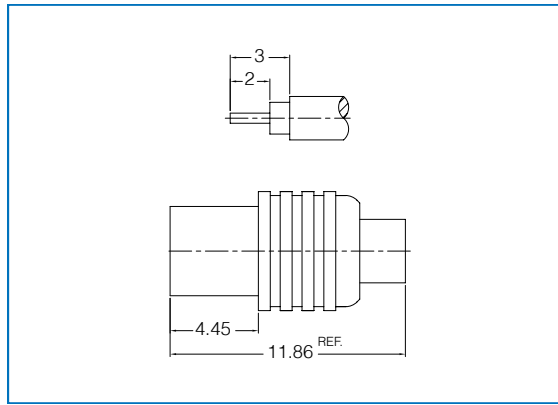
$Y = 7 = 75 \text{ Ohm}$



## Straight Jack, Solder

M5F11B-AXXG01

Cable group : [28](#), [29](#), [33](#)



Cable Groups

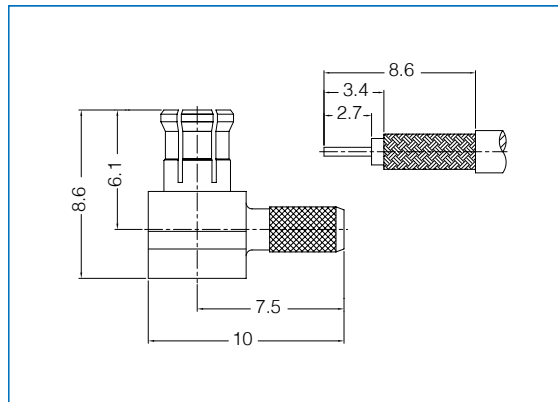
## Right Angle Plug, Crimp

MYM21A-AXXG01

Cable group : [01](#), [02](#), [03](#), [04](#), [05](#), [06](#)

Impedance  $Y = 5 = 50 \text{ Ohm}$

$Y = 7 = 75 \text{ Ohm}$

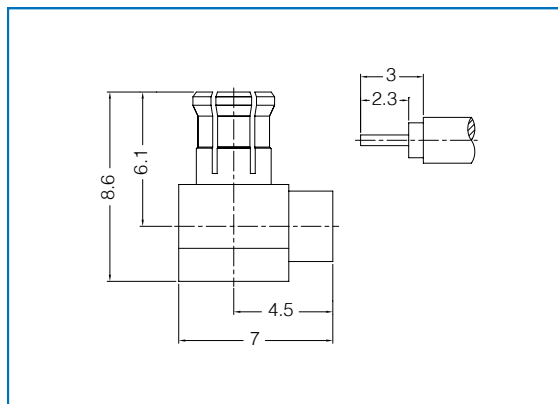


A01 - 50Ω - RG-178, 196  
A02 - 50Ω - RG-174, 188A, 316, LMR100  
A03 - 75Ω - RG-179, 187  
A04 - 50Ω - RD-316U  
A05 - 75Ω - RD-179U  
A06 - 50Ω - RG-58, 58A, 58C, 141, LMR195  
A07 - 50Ω - RG-55, 142, 223, 400  
A08 - 50Ω - LMR200  
A09 - 50Ω - RG-59U Plenum  
A10 - 75Ω - RG-59, 62  
A11 - 75Ω - Belden 1505A  
A12 - 75Ω - Belden 8281  
A13 - 75Ω - RG-59U Quad Shield  
A14 - 75Ω - RG-59U Plenum

## Right Angle Plug, Solder

M5M21B-AXXG01

Cable group : [28](#), [29](#), [33](#)



A15 - 75Ω - RG-6  
A16 - 50Ω - 8X, LMR240  
A17 - 50Ω - LMR400, Belden 9913  
A18 - 50Ω - RG-8, 8A, 9, 213, 214  
A19 - 75Ω - RG6U, Quad  
A20 - 75Ω - RG-11  
A21 - 75Ω - Belden 1694A  
A22 - 75Ω - AT&T 734A  
A23 - 75Ω - AT&T 735A  
A24 - 50Ω - LMR600  
A25 - 75Ω - Belden 1695A  
A26 - 75Ω - Belden 8218  
A27 - 75Ω - BT-3002  
A28 - 50Ω - 0885, 0885RF, RG-405U

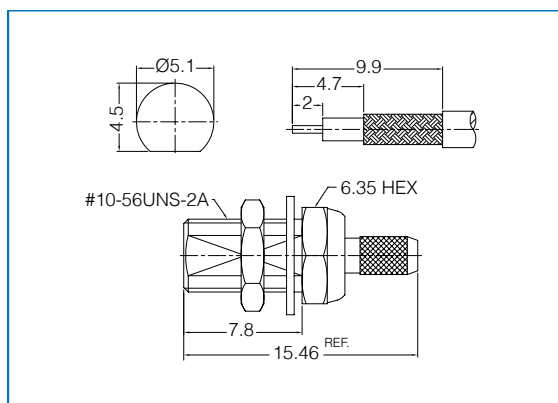
## Bulkhead Crimp Jack

MYF31A-AXXG01

Cable group : [01](#), [02](#), [03](#), [04](#), [05](#), [06](#)

Impedance  $Y = 5 = 50 \text{ Ohm}$

$Y = 7 = 75 \text{ Ohm}$

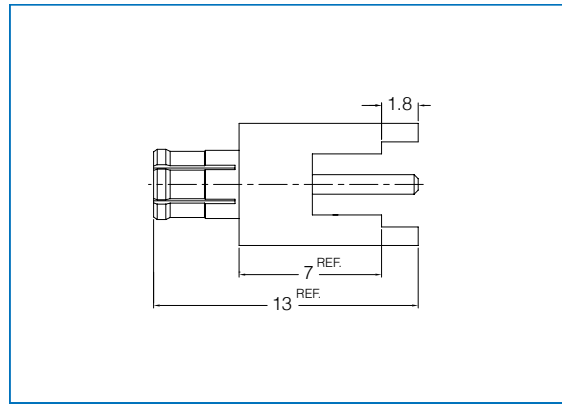


A29 - 50Ω - 141SR, RG-402U  
A30 - 50Ω - 1.13mm OD micro  
A31 - 50Ω - 1.32mm OD micro  
A32 - 50Ω - 1.37mm OD micro  
A33 - 50Ω - 047SR cable  
A34 - 75Ω - FLEX 2  
A35 - 75Ω - FLEX 3  
A37 - 75Ω - FLEX 5  
A38 - 50Ω - 3D-2V  
A39 - 50Ω - 5D-2V  
A40 - 50Ω - 8D-2V  
A41 - 50Ω - 5D-FB, LMR300  
A42 - 50Ω - 1/4" Superflex  
A43 - 50Ω - 1/2" Superflex

**Straight Plug, PCB Mount  
High Mount**

M5M11B-TPCG01

\* Mounting hole : "B"



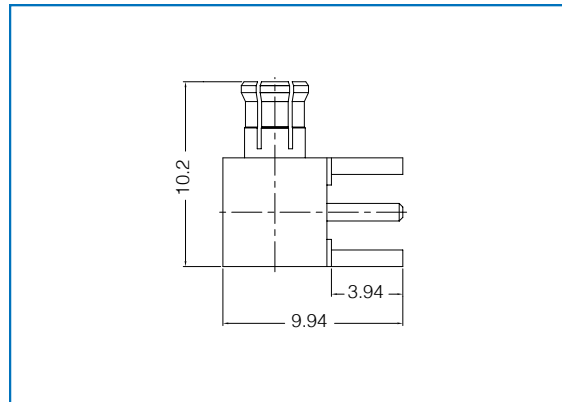
**Right Angle Plug, PCB Mount**

MYM21A-TPCG01

\* Mounting hole : "B"

Impedance  $\gamma = 5 = 50 \text{ Ohm}$

$\gamma = 7 = 75 \text{ Ohm}$



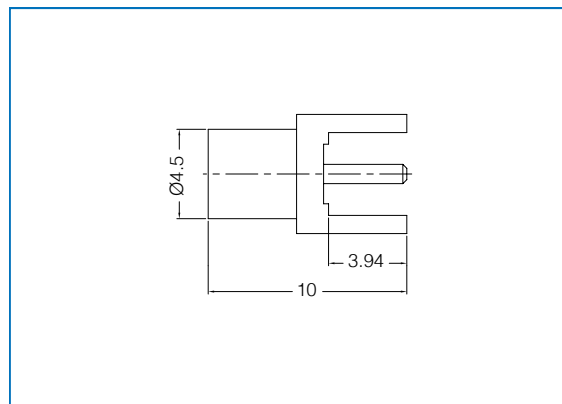
**Straight Jack, PCB Mount**

MYF11A-TPCG01

\* Mounting hole : "B"

Impedance  $\gamma = 5 = 50 \text{ Ohm}$

$\gamma = 7 = 75 \text{ Ohm}$



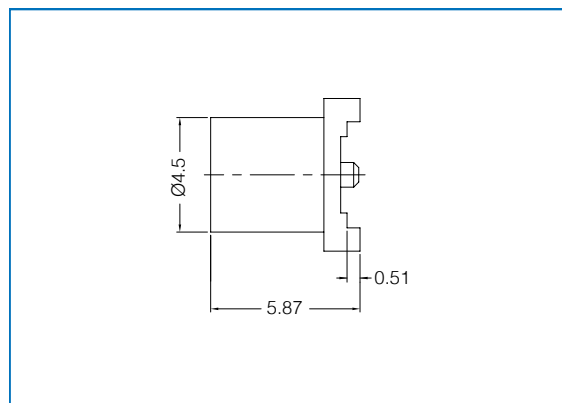
**Straight Jack,  
PCB Surface Mount**

MYF11A-SPCG01

\* Mounting Details : "B1"

Impedance  $\gamma = 5 = 50 \text{ Ohm}$

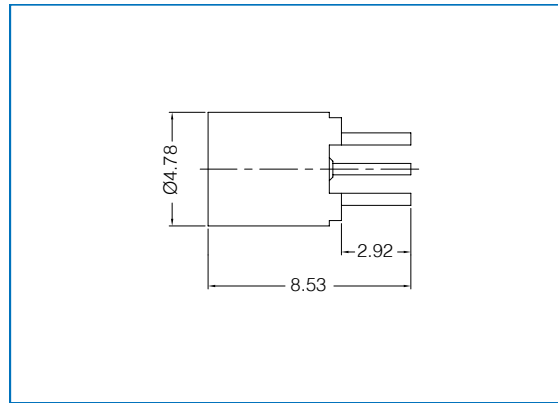
$\gamma = 7 = 75 \text{ Ohm}$



**Straight Jack, PCB Mount  
Funnel Interface**

M5F12A-TPCG01

\* Mounting hole : "B"



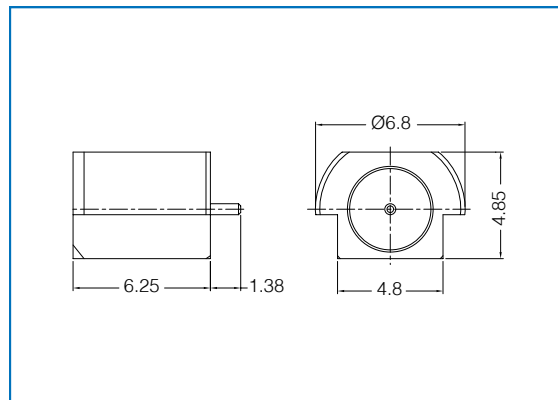
**Straight Jack, Edgecard Mount**

MYF11A-EPCG01

\* Mounting Details : "See Drawing"

Impedance Y = 5 = 50 Ohm

Y = 7 = 75 Ohm



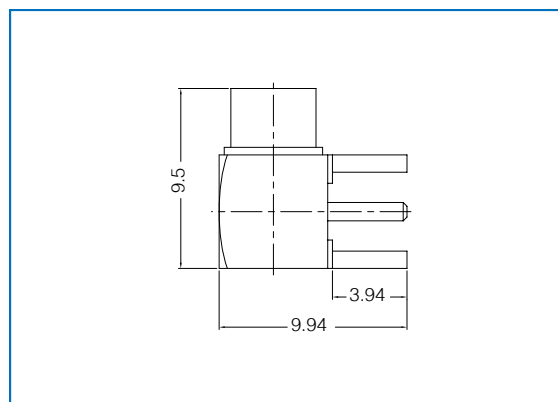
**Right Angle Jack, PCB Mount**

MYF21A-TPCG01

\* Mounting hole : "B"

Impedance Y = 5 = 50 Ohm

Y = 7 = 75 Ohm



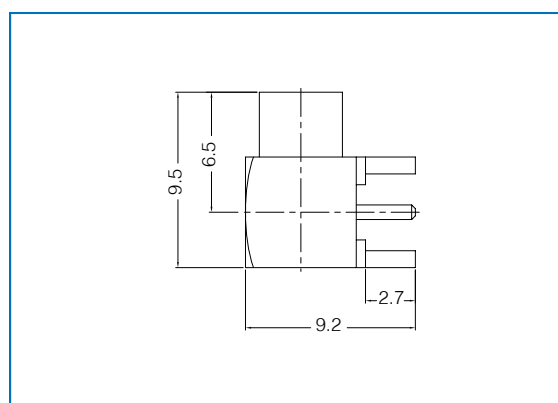
**Right Angle Jack, PCB Mount  
Thin Board Version**

MYF21B-TPCG01

\* Mounting hole : "B"

Impedance Y = 5 = 50 Ohm

Y = 7 = 75 Ohm



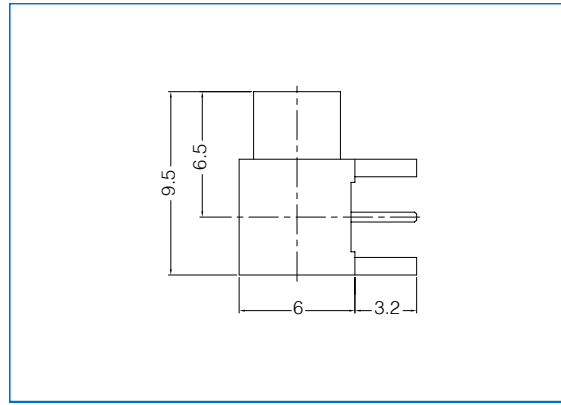
**Right Angle Jack, PCB Mount  
Low Profile Version**

MYF21C-TPCG01

\* Mounting hole : "B"

Impedance  $Y = 5 = 50 \text{ Ohm}$

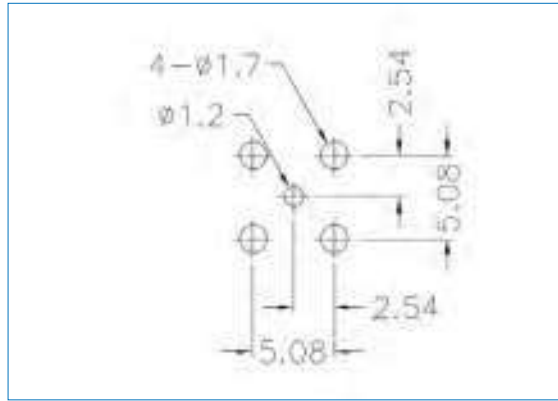
$Y = 7 = 75 \text{ Ohm}$



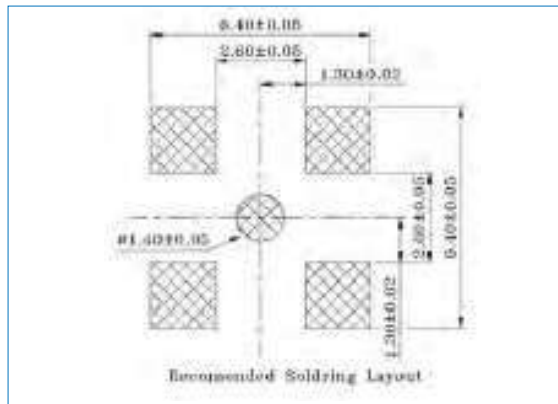


**PCB Layouts**

**Layout-B**



**Layout-B1**





# SMA Series - SA



SMA

## FEATURES :

- Broadband performance DC to 18GHz
- Threaded Coupling Mechanism
- High Performance Interface
- Can be torqued for consistency
- Available for many cable variants
- Call for Stainless Steel versions

## APPLICATIONS :

- Telecom Base Stations
- In-Building WiFi
- Instrumentation & Test
- Military Communications
- Wireless Network Antennas

## ELECTRICAL SPECIFICATIONS

Impedance	50 $\Omega$
Frequency Range	0 – 12.4 GHz (flexible cable) 0 – 18 GHz (semi-rigid cable)
Working Voltage	$\leq$ 335 VRMS (flexible cable) $\leq$ 500 VRMS (semi-rigid cable)
Dielectric Withstanding Voltage	1000 VRMS (flexible cable) 1500 VRMS (semi-rigid cable)
VSWR	Straight : 1.15 max Right Angle : 1.2 max
Contact Resistance	Center Contact : $\leq$ 2 m $\Omega$ Outer Contact : $\leq$ 2 m $\Omega$
Insulator Resistance	5000 M $\Omega$ min.

## MATERIAL SPECIFICATIONS

Body and outer contacts	Brass, gold plated
Male contact	Brass, gold plated
Female contact	Beryllium Copper, gold plated
Insulator	PTFE
Crimp ferrule	Copper or brass, nickel or gold plated

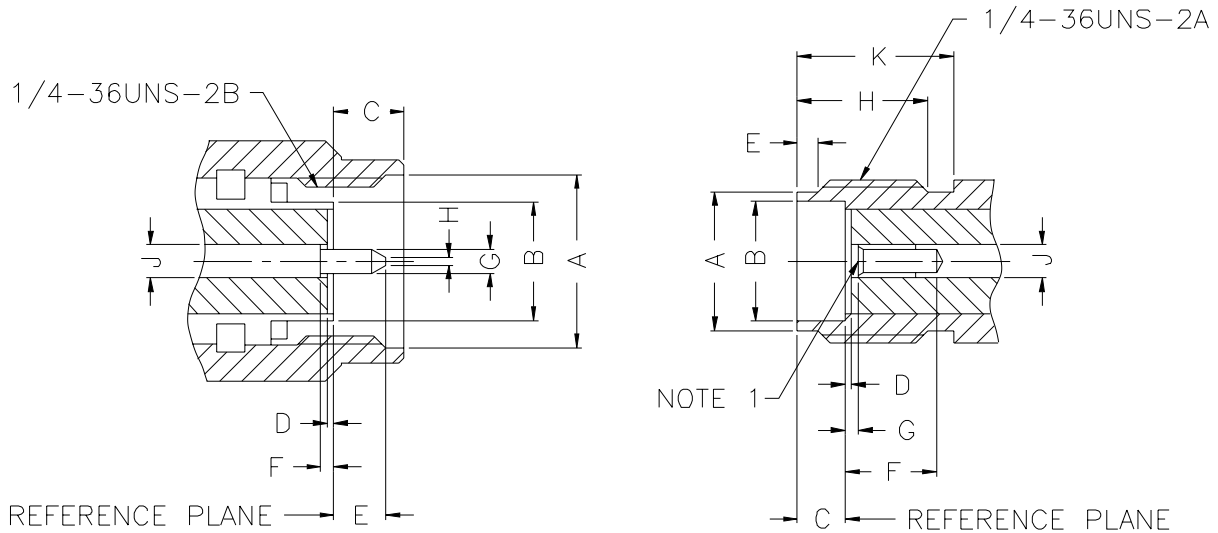
## MECHANICAL SPECIFICATIONS

Coupling mating torque	7 – 15 in-lbs (80 – 170 N-cm)
Cable Retention	60 lbs min. (flexible cable) 80 lbs min. (semi-rigid cable)
Durability (matings)	500 cycles min.

## ENVIRONMENTAL

Temperature Range	-65°C to +165°C
-------------------	-----------------

## INTERFACE MATING DIMENSIONS



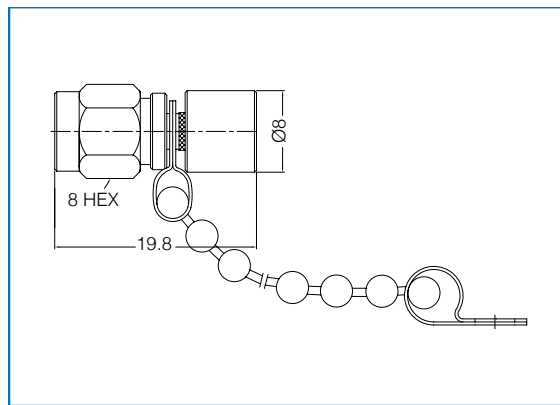
PLUG		
Letter	Millimeters	
	Minimum	Maximum
A	6.35	6.73
B	4.53	4.59
C	2.54	3.43
D	0.00	0.25
E	1.91	2.54
F	0.00	0.25
G	0.90	0.94
H	0.00	0.38
J	1.24	1.30

JACK		
Letter	Millimeters	
	Minimum	Maximum
A	5.28	5.49
B	4.60	4.67
C	1.88	1.98
D	0.00	0.25
E	0.38	1.14
F	2.92	-
G	0.00	0.25
H	4.32	-
J	1.24	1.30
K	5.54	-

**Note 1** : I.D. to meet VSWR and contact resistance when mated with 0.9/0.94 mm dia. pin.

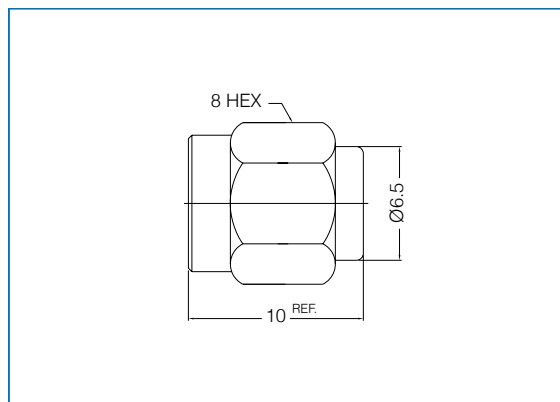
**Terminator Plug with Chain**  
**1/2 Watt**

SAM11A-TERG01



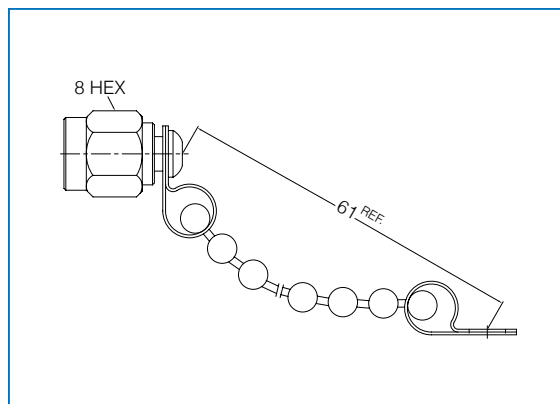
**Terminator Plug**  
**Chip Resistor 1/4Watt**

SAM11B-TERG01



**Male Cap with Chain**

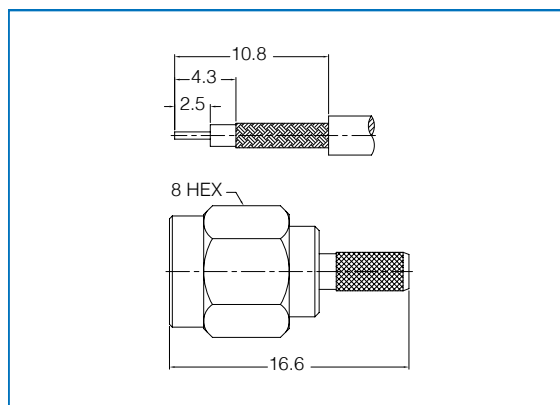
SAM11C-TERG01



**Straight Plug, Crimp**

SAM11A-AXXG01

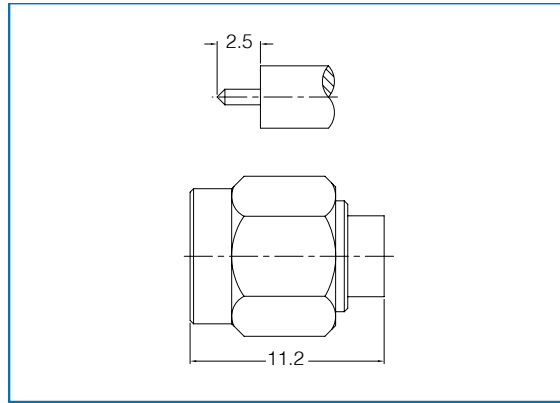
Cable group : 02, 04, 06, 07, 08, 16



## Straight Plug, Solder

SAM11B-**AXX**G01

Cable group : [28](#), [29](#), [33](#)

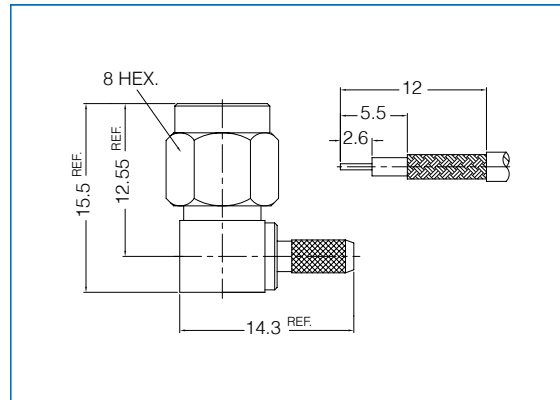


Cable Groups

## Right Angle Plug, Crimp

SAM21A-**AXX**G01

Cable group : [01](#), [02](#), [04](#), [06](#), [07](#), [08](#),  
[16](#), [17](#)

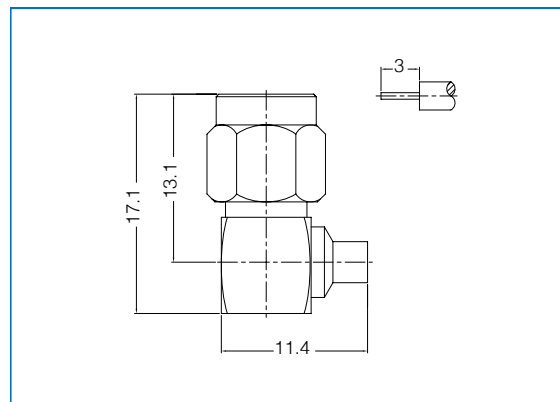


A01 - 500 - RG-178, 196  
A02 - 500 - RG-174, 188A, 316, LMR100  
A03 - 750 - RG-179, 187  
A04 - 500 - RD-316U  
A05 - 750 - RD-179U  
A06 - 500 - RG-58, 58A, 58C, 141, LMR195  
A07 - 500 - RG-55, 142, 223, 400  
A08 - 500 - LMR200  
A09 - 500 - RG-59U Plenum  
A10 - 750 - RG-59, 62  
A11 - 750 - Belden 1505A  
A12 - 750 - Belden 8281  
A13 - 750 - RG-59U Quad Shield  
A14 - 750 - RG-59U Plenum

## Right Angle Plug, Solder

SAM21B-**AXX**G01

Cable group : [28](#), [29](#), [33](#)

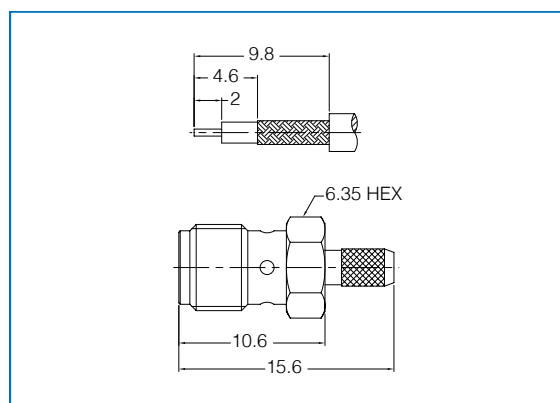


A15 - 750 - RG-6  
A16 - 500 - 8X, LMR240  
A17 - 500 - LMR400, Belden 9913  
A18 - 500 - RG-8, 9A, 9, 213, 214  
A19 - 750 - RG6U Quad  
A20 - 750 - RG-11  
A21 - 750 - Belden 1694A  
A22 - 750 - AT&T 734A  
A23 - 750 - AT&T 735A  
A24 - 500 - LMR800  
A25 - 750 - Belden 1695A  
A26 - 750 - Belden 8218  
A27 - 750 - BT-3002  
A28 - 500 - 0885, 0885RF, RG-405U

## Straight Jack, Crimp

SAF11A-**AXX**G01

Cable group : [02](#), [04](#), [06](#), [07](#), [08](#), [16](#)

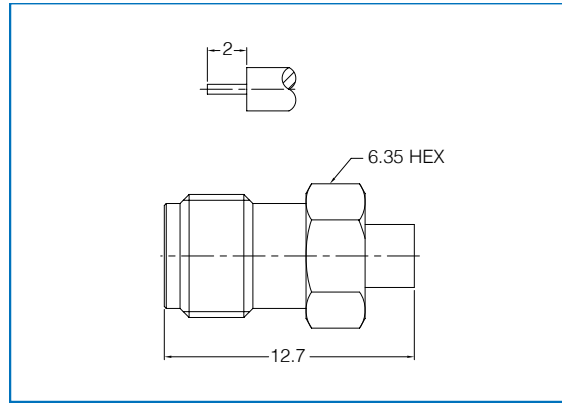


A29 - 500 - 141SR, RG-402U  
A30 - 500 - 1.13mm OD micro  
A31 - 500 - 1.32mm OD micro  
A32 - 500 - 1.37mm OD micro  
A33 - 500 - 047SR cable  
A34 - 500 - FLEX 2  
A35 - 750 - FLEX 3  
A37 - 750 - FLEX 5  
A38 - 500 - 3D-2V  
A39 - 500 - 5D-2V  
A40 - 500 - 8D-2V  
A41 - 500 - 5D-FB, LMR300  
A42 - 500 - 1/4" Superflex  
A43 - 500 - 1/2" Superflex

**Straight Jack, Solder**

SAF11B-AXXG01

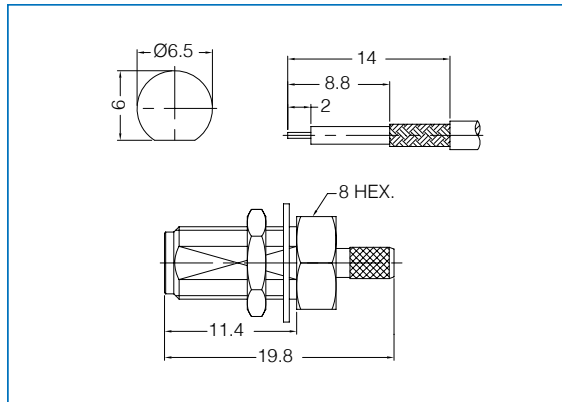
Cable group : 28, 29, 33



**Bulkhead Jack, Crimp**

SAF31A-AXXG01

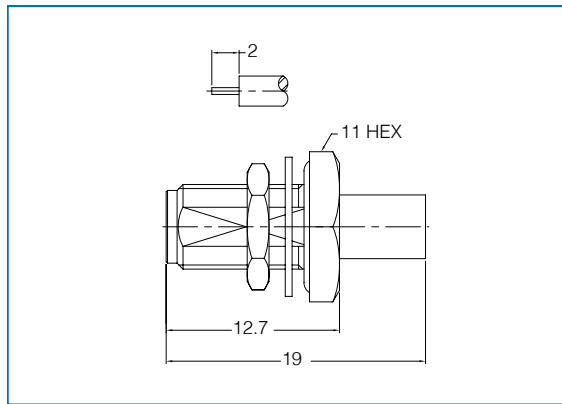
Cable group : 02, 04, 06, 08, 16, 30, 31, 32



**Bulkhead Jack, Solder**

SAF31B-AXXG01

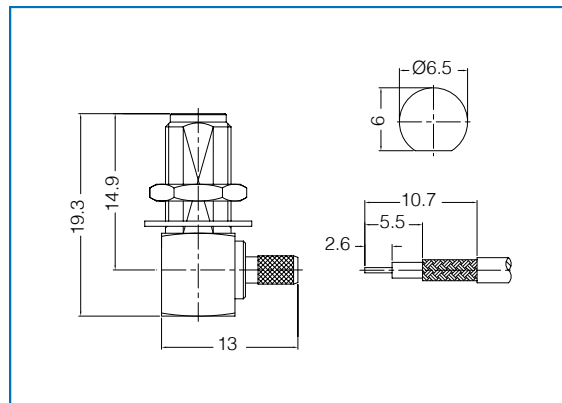
Cable group : 28, 29, 33



**Right Angle Bulkhead Jack, Crimp**

SAF32A-AXXG01

Cable group : 01, 02, 04, 06, 07, 08

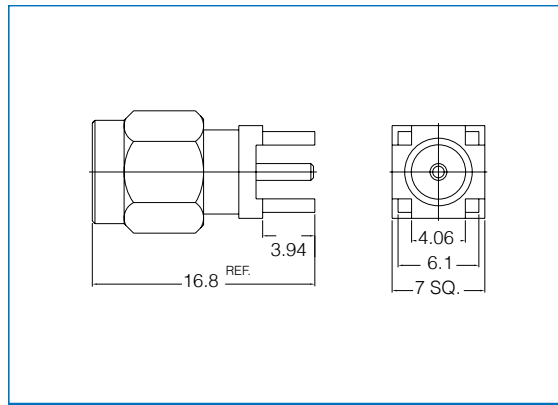




### Straight Plug, PCB Mount

SAM11A-TPCG01

\* Mounting hole : "A"



### Cable Groups

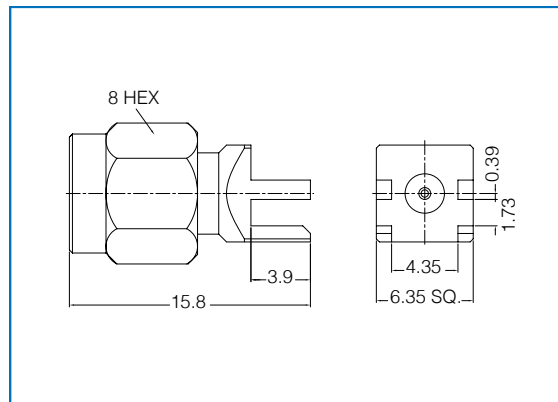
A01 - 50Ω - RG-178, 196	A08 - 50Ω - LMR200	A15 - 75Ω - RG-6	A22 - 75Ω - AT&T 734A	A29 - 50Ω - 141SR - RG-402U	A37 - 75Ω - FLEX 5
A02 - 50Ω - RG-174, 188A, 316, LMR100	A09 - 50Ω - RG-59U Plenum	A16 - 50Ω - 8X - LMR240	A23 - 75Ω - AT&T 735A	A30 - 50Ω - 1.13mm OD micro	A38 - 50Ω - 3D-2V
A03 - 75Ω - RG-179, 187	A10 - 75Ω - RG-59, 62	A17 - 50Ω - LMR400, Belden 9913	A24 - 50Ω - LMR800	A31 - 50Ω - 1.32mm OD micro	A39 - 50Ω - 5D-2V
A04 - 50Ω - RD-316U	A11 - 75Ω - Belden 1505A	A18 - 50Ω - RG-8, 9A, 9, 213, 214	A25 - 75Ω - Belden 1696A	A32 - 50Ω - 1.37mm OD micro	A40 - 50Ω - 8D-2V
A05 - 75Ω - RD-179U	A12 - 75Ω - Belden 8281	A19 - 75Ω - RG6U, Quad	A26 - 75Ω - Belden 8218	A33 - 50Ω - 047SR cable	A41 - 50Ω - 5D-FB, LMR300
A06 - 50Ω - RG-58, 58A, 58C, 141, LMR195	A13 - 75Ω - RG-59U Quad Shield	A20 - 75Ω - RG-11	A27 - 75Ω - BT-3002	A34 - 75Ω - FLEX 2	A42 - 50Ω - 1/4" Superflex
A07 - 50Ω - RG-55, 142, 223, 400	A14 - 75Ω - RG-59U Plenum	A21 - 75Ω - Belden 1694A	A28 - 50Ω - 0885/0885RF, RG-405U	A35 - 75Ω - FLEX 3	A43 - 50Ω - 1/2" Superflex

SMA

### Straight Plug, End Launch

SAM11A-EPCG01

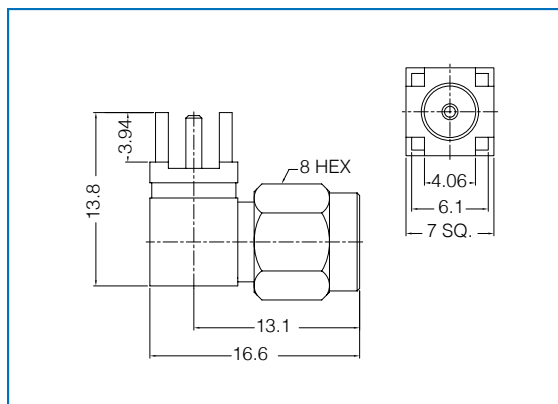
\* Mounting Layout : "See Drawing"



### Right Angle Plug, PCB Mount

SAM21A-TPCG01

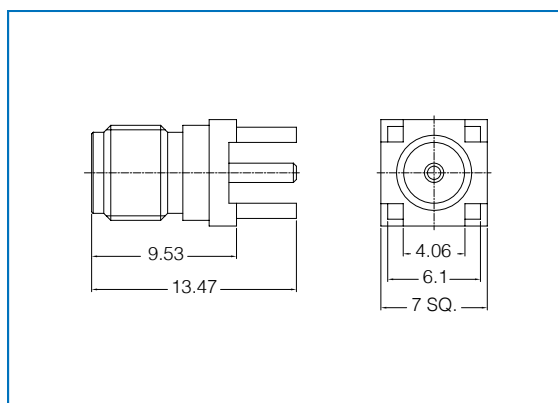
\* Mounting hole : "A"



### Straight Jack, PCB Mount

SAF11A-TPCG01

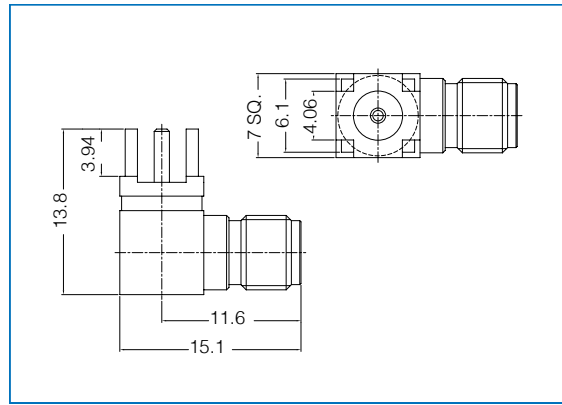
\* Mounting hole : "A"



**Right Angle Jack, PCB Mount**

SAF21A-TPCG01

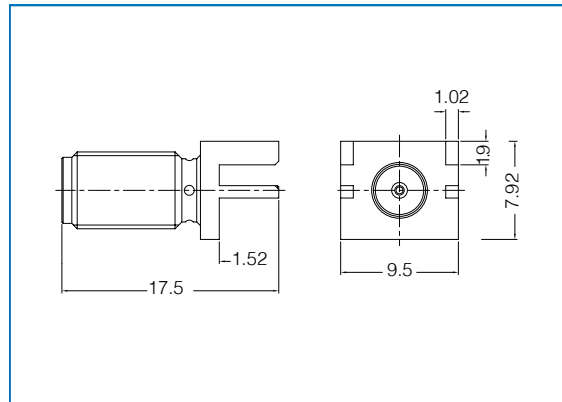
\* Mounting hole : "A"



**Straight Jack, End Launch**

SAF11A-EPCG01

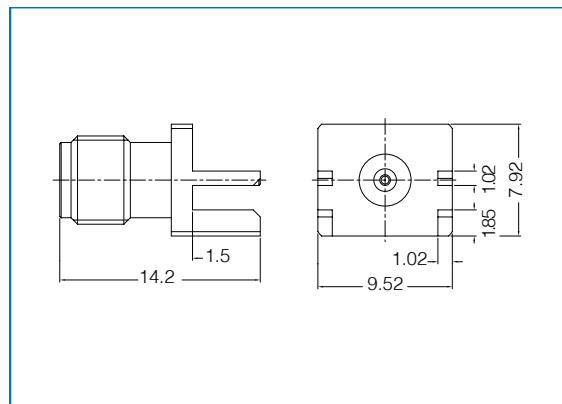
\* Mounting Layout : "See Drawing"



**Straight Jack, End Launch**

SAF12A-EPCG01

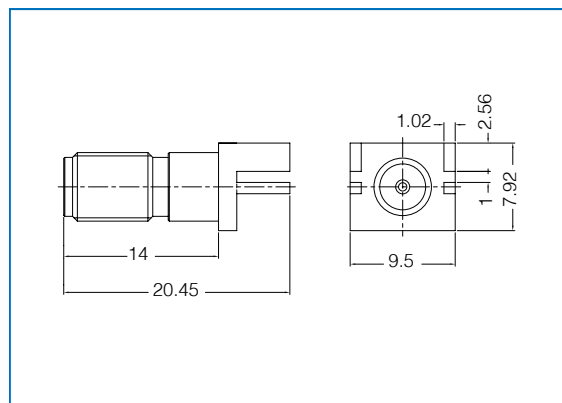
\* Mounting Layout : "See Drawing"



**Straight Jack, End Launch**

SAF13A-EPCG01

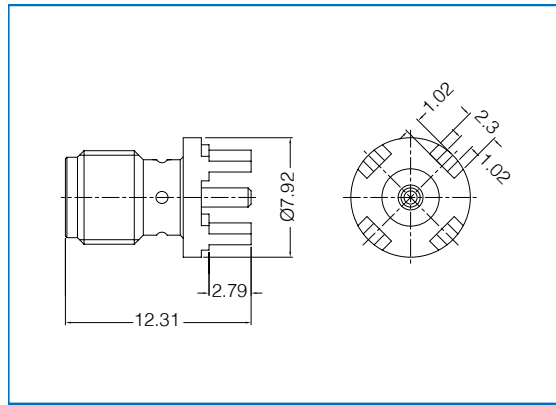
\* Mounting Layout : "See Drawing"



### Straight Jack, PCB Mount

SAF12A-TPCG01

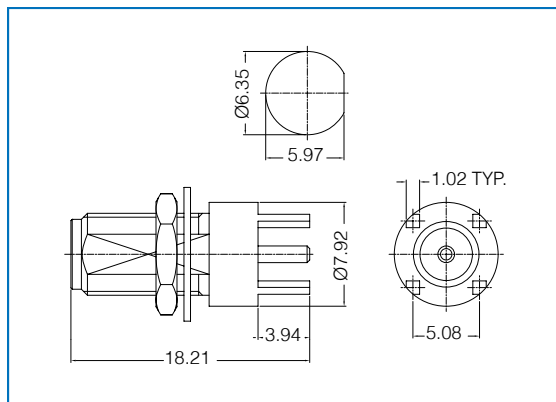
\* Mounting hole : "A"



### Straight Bulkhead Jack, PCB Mount

SAF31A-TPCG01

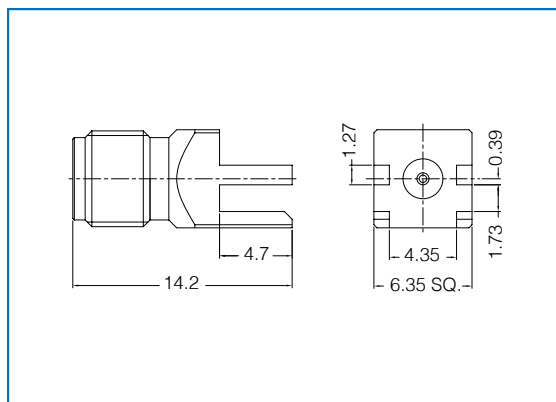
\* Mounting hole : "A"



### Straight Jack, End Launch

SAF12B-EPCG01

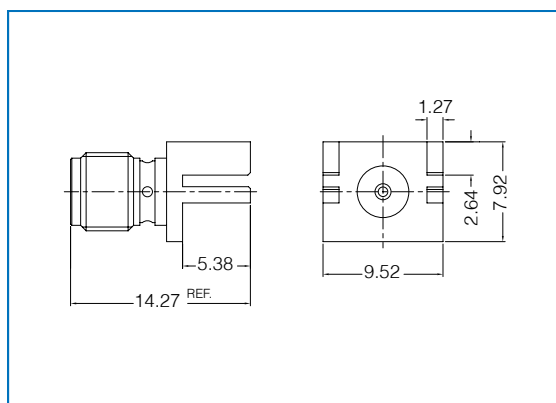
\* Mounting Layout : "See Drawing"



### Straight Jack, End Launch

SAF12C-EPCG01

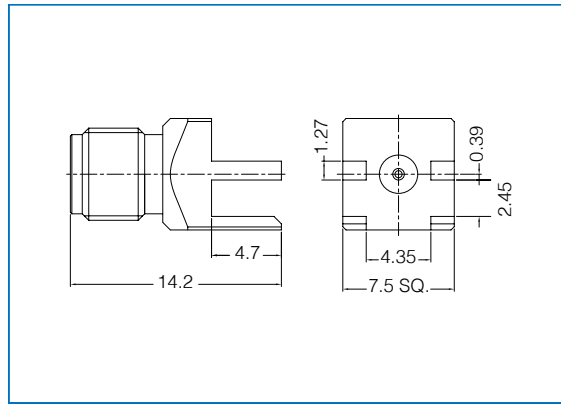
\* Mounting Layout : "See Drawing"



**Straight Jack, End Launch**

SAF12D-EPCG01

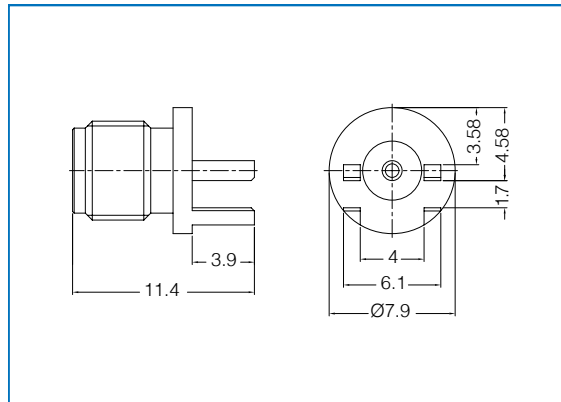
\* Mounting Layout : "See Drawing"



**Straight Jack, End Launch**

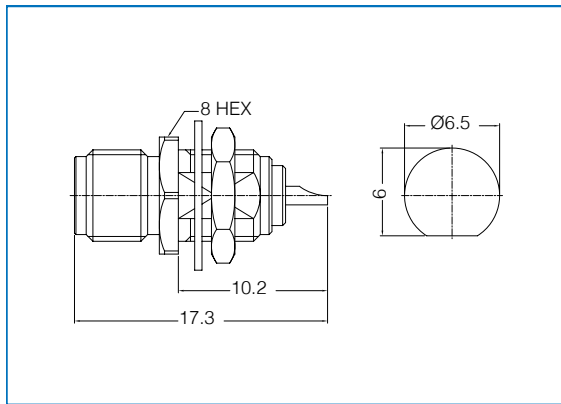
SAF14A-EPCG01

\* Mounting Layout : "See Drawing"



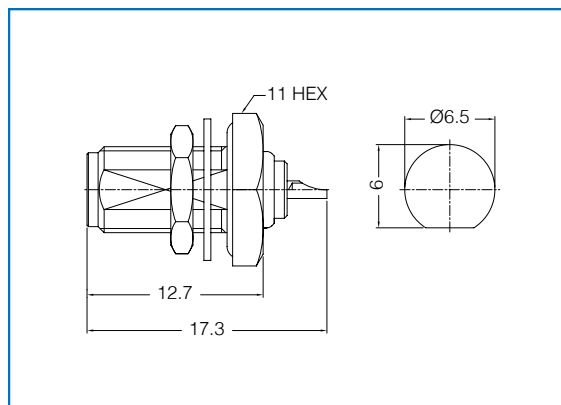
**Bulkhead Jack Receptacle, Front Mount**

SAF31A-RECG01

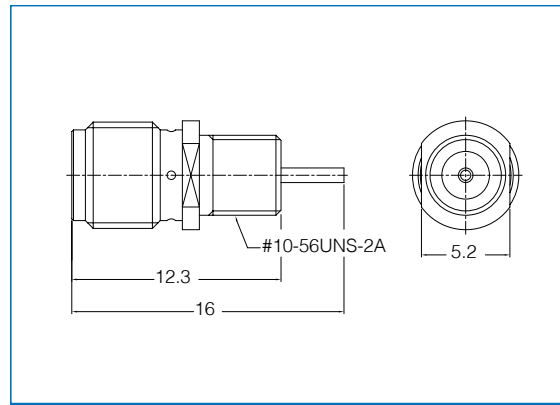


**Bulkhead Jack Receptacle, Rear Mount**

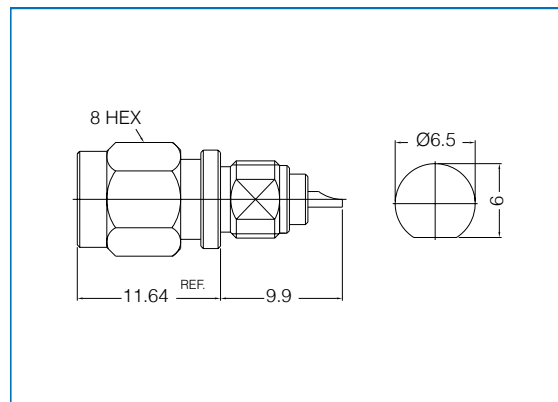
SAF32A-RECG01



**Bulkhead Jack Receptacle,  
Front Mount**  
SAF33A-RECG01



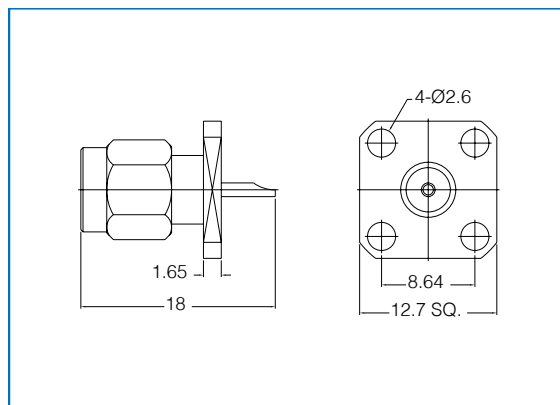
**Bulkhead Plug Receptacle**  
SAM31A-RECG01



SMA

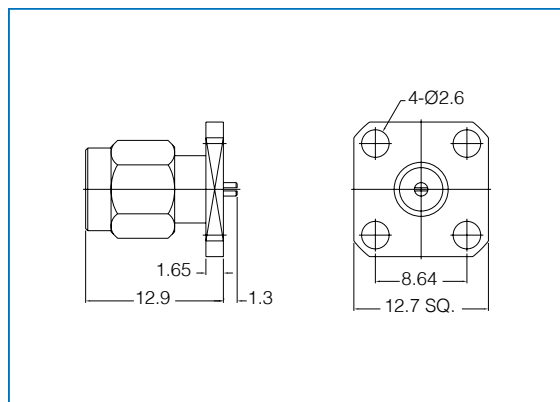
**Panel Mount Plug Receptacle,  
4 Hole SQ Flange**

SAM41A-4HLG01



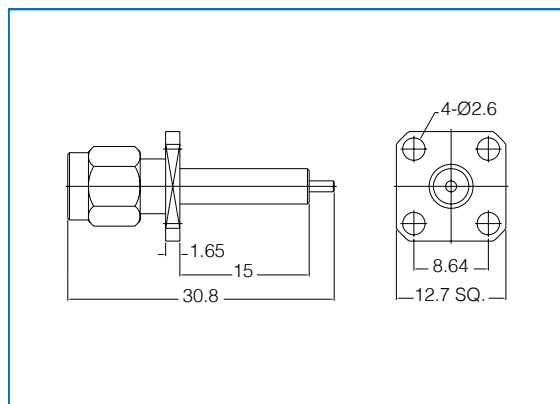
**Panel Mount Plug Receptacle,  
4 Hole SQ Flange**

SAM41B-4HLG01



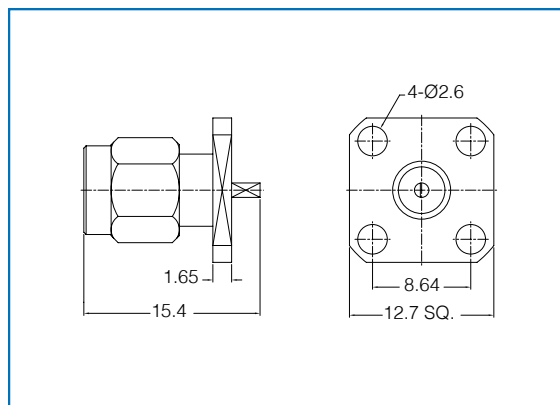
**Panel Mount Plug Receptacle,  
4 Hole Flange - Exposed TFE Type**

SAM41C-4HLG01



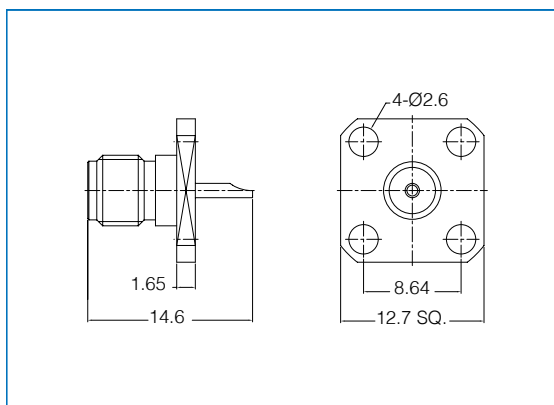
**Panel Mount Plug Receptacle,  
4 Hole SQ Flange**

SAM41D-4HLG01



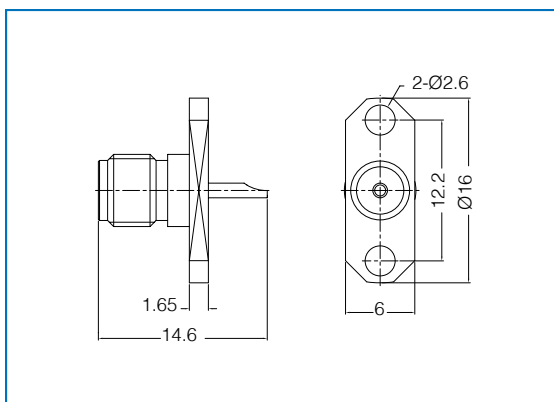
**Panel Mount Jack Receptacle,  
4 Hole Flange**

SAF41A-4HLG01



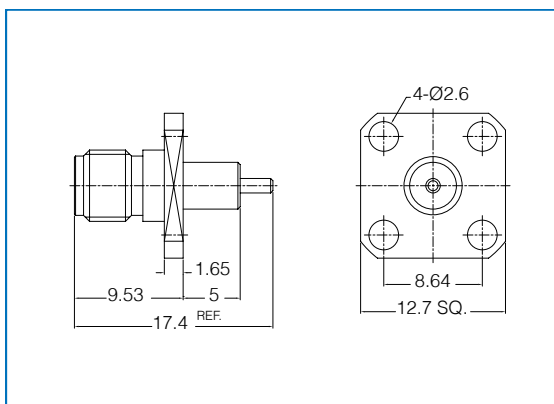
**Panel Mount Jack Receptacle,  
2 Hole Flange**

SAF41A-2HLG01



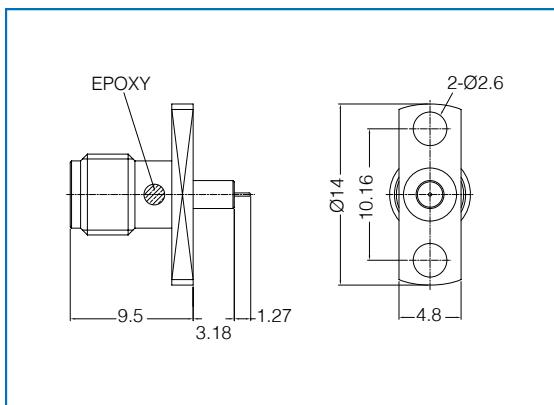
**Panel Mount Jack Receptacle,  
4 Hole Flange**

SAF41B-4HLG01



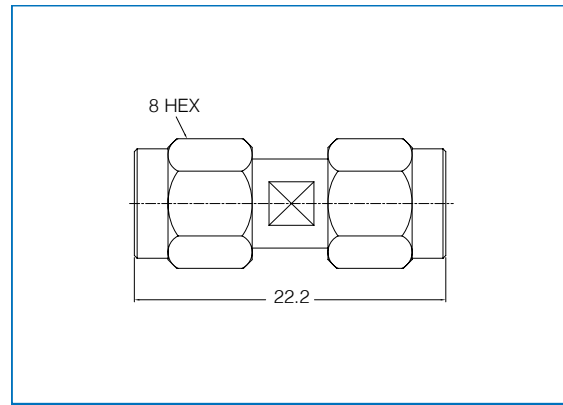
**Panel Mount Jack Receptacle,  
2 Hole Flange**

SAF42A-2HLG01



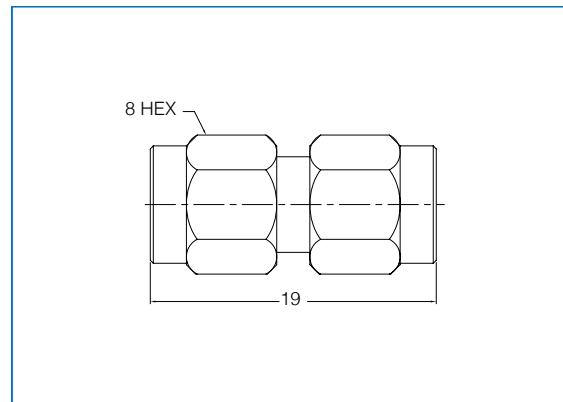
**Adapter, Plug to Plug**

SAM11A-ADPG01



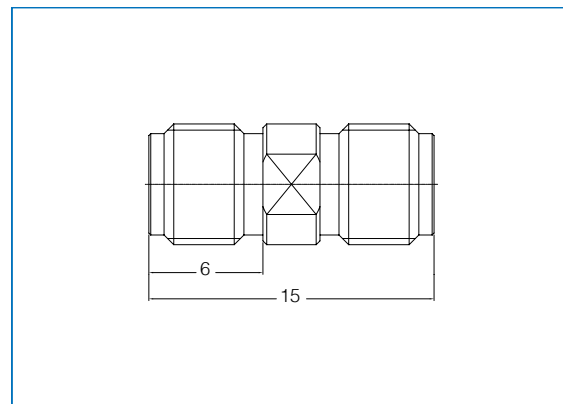
**Adapter, Plug to Plug**

SAM12A-ADPG01



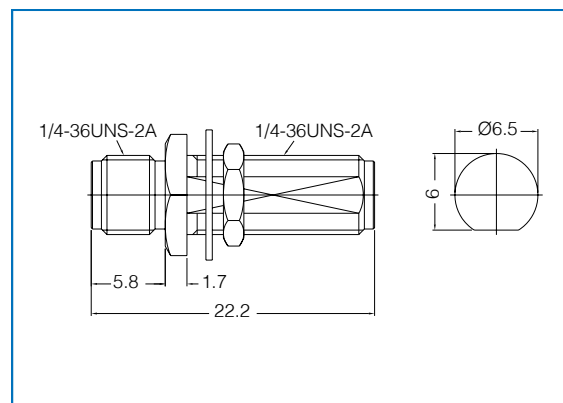
**Adapter, Jack to Jack**

SAF11A-ADPG01



**Bulkhead Adapter, Jack to Jack**

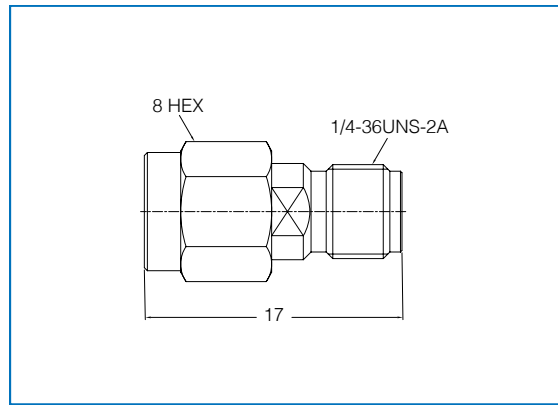
SAF31A-ADPG01





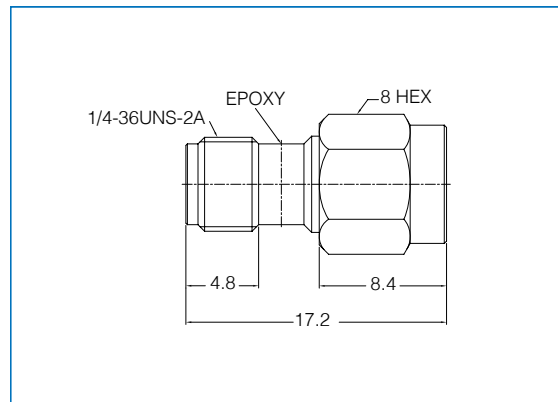
**Adapter, Plug to Jack**

SAA11A-ADPG01



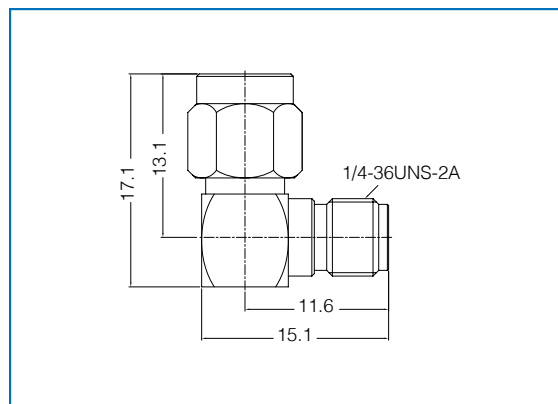
**Adapter, Plug to Jack with Epoxy**

SAA12A-ADPG01



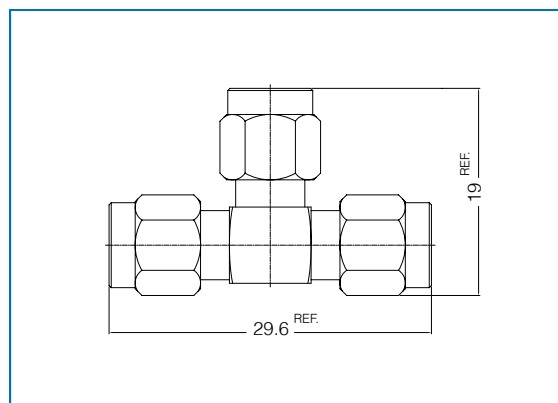
**Right Angle Adapter, Plug to Jack**

SAA21A-ADPG01

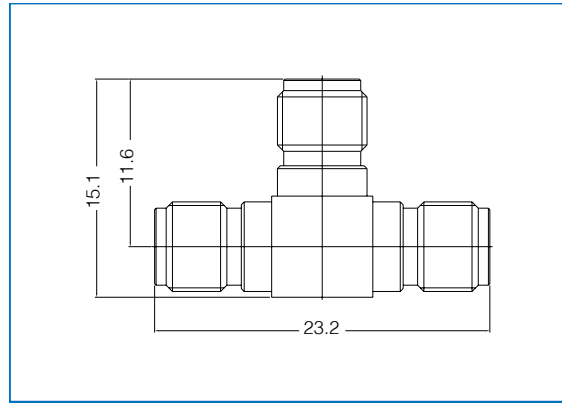


**“T” Adapter, Plug to Plug to Plug**

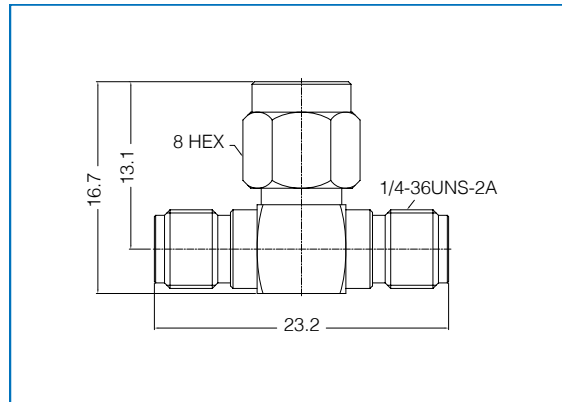
SAM51A-ADPG01



***“T” Adapter,  
Jack to Jack to Jack***  
SAF51A-ADPG01

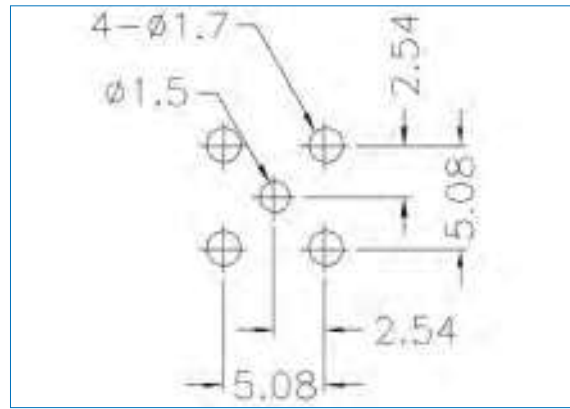


***“T” Adapter,  
Jack to Plug to Jack***  
SAA51A-ADPG01



PCB Layouts

Layout-A





## SMB Series - B5 (50 $\Omega$ ) / B7 (75 $\Omega$ )



SMB

### FEATURES :

- Snap-on / quick disconnect mating
- Good retention when mated
- Available in 50 $\Omega$  and mini 75 $\Omega$
- Available in Nickel or Gold
- Many common cable options

### APPLICATIONS :

- Base Stations
- Automotive
- Test and Measurement
- Broadband Nodes
- Cable Assemblies
- Wireless Network Antennas
- Video System

**ELECTRICAL SPECIFICATIONS**

<u>Impedance</u>	<u>50 <math>\Omega</math> / mini 75 <math>\Omega</math></u>
<u>Frequency Range</u>	<u>0 – 4 GHz / 0 – 2 GHz</u>
<u>Working Voltage</u>	<u><math>\geq</math> 250 VRMS</u>
<u>Dielectric Withstanding Voltage</u>	<u>1000 VRMS at sea level</u>
<u>VSWR</u>	<u>Straight : 1.3 max</u>
	<u>Right Angle : 1.5 max</u>
<u>Contact Resistance</u>	<u>Center Contact : <math>\leq</math> 6 m<math>\Omega</math></u>
	<u>Outer Contact : <math>\leq</math> 1 m<math>\Omega</math></u>
<u>Insulation Resistance</u>	<u>5000 M<math>\Omega</math> min.</u>

**MATERIAL SPECIFICATIONS**

<u>Body</u>	<u>Brass, nickel or gold plated</u>
<u>Outer contacts</u>	<u>Brass, nickel or gold plated</u>
<u>Male contact</u>	<u>Brass, gold plated</u>
<u>Female contact</u>	<u>Beryllium Copper, gold plated</u>
<u>Insulator</u>	<u>PTFE</u>
<u>Crimp ferrule</u>	<u>Copper or brass, nickel or gold plated</u>

**MECHANICAL SPECIFICATIONS**

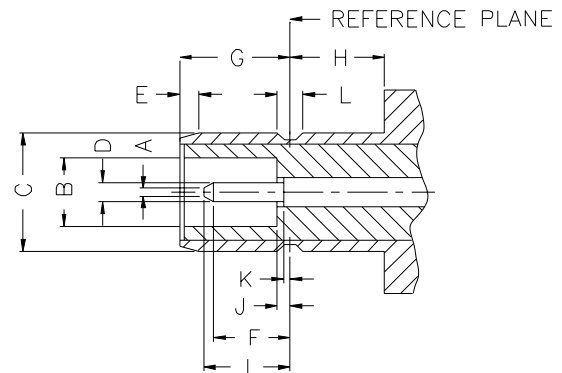
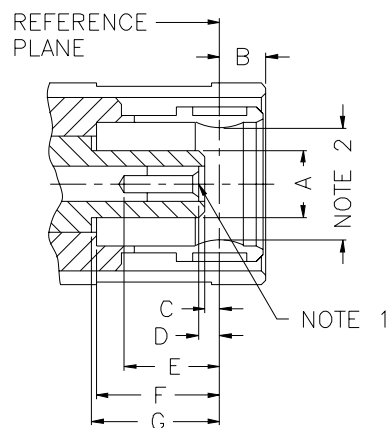
<u>Contact Retention</u>	<u><math>\geq</math> 4 lbs</u>
<u>Engagement Force</u>	<u><math>\leq</math> 14 lbs</u>
<u>Disengagement Force</u>	<u><math>\geq</math> 1.8 lbs</u>
<u>Durability (matings)</u>	<u>500 cycles min.</u>

**ENVIRONMENTAL**

<u>Temperature Range</u>	<u>-65°C to +165°C</u>
--------------------------	------------------------

## INTERFACE MATING DIMENSIONS

### 50Ω-B5



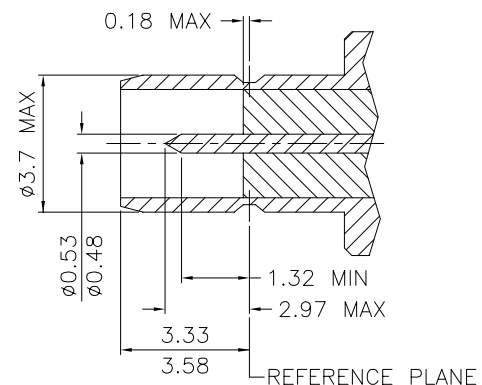
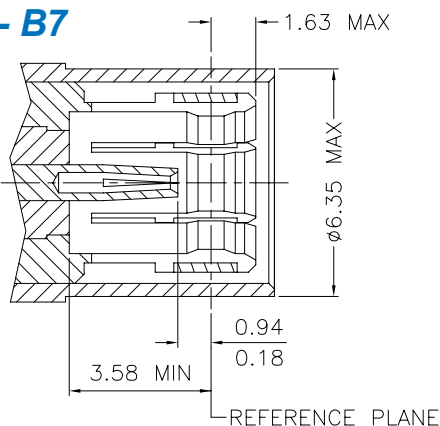
PLUG		
Letter	Millimeters	
	Minimum	Maximum
A	2.00	2.06
B	-	1.62
C	0.18	-
D	0.18	0.94
E	2.97	-
F	3.58	-
G	3.58	-

JACK		
Letter	Millimeters	
	Minimum	Maximum
A	-	0.25
B	2.08	2.16
C	3.66	3.71
D	0.48	0.53
E	0.00	-
F	1.32	-
G	3.33	3.58
H	2.03	-
I	-	2.97
J	-	0.18
K	-	0.18
L	0.69	0.94

**Note 1** : I.D. to meet VSWR and contact resistance when mated with 0.48/0.53 mm dia. pin.

**Note 2** : Must meet the force to engage and disengage when mated with mating part.

### MINI 75Ω - B7



**Straight Plug, Crimp**

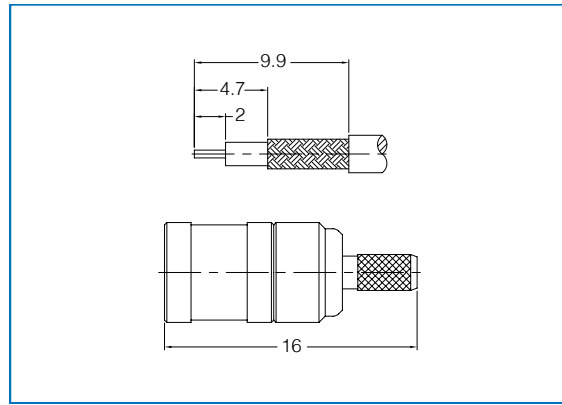
BYF11A-AXXG01

Cable group : 01, 03, 02, 04, 05, 06

Replace "G" with "N" for Nickel

Impedance    Y = 5 = 50 Ohm

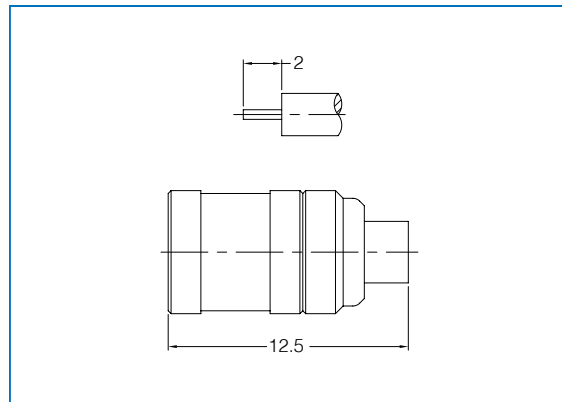
Y = 7 = 75 Ohm



**Straight Plug, Solder**

B5F11B-AXXG01

Cable group : 28, 29, 33



**Straight Jack, Crimp**

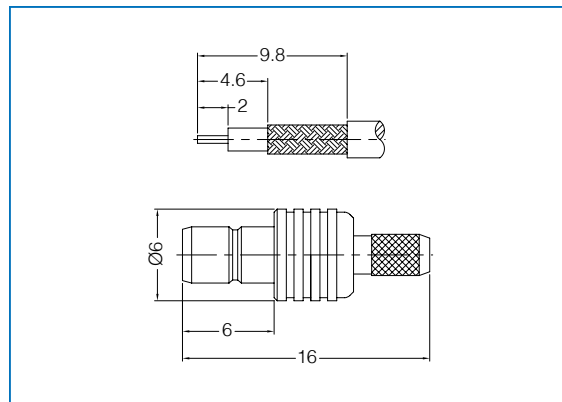
BYM11A-AXXG01

Cable group : 01, 02, 03, 04, 05, 06

Replace "G" with "N" for Nickel

Impedance    Y = 5 = 50 Ohm

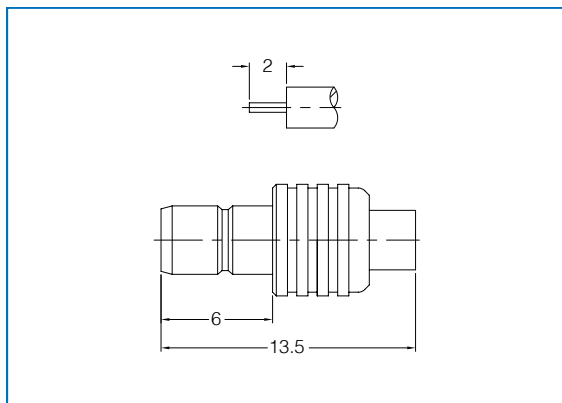
Y = 7 = 75 Ohm



**Straight Jack, Solder**

B5M11B-AXXG01

Cable group : 28, 29, 33



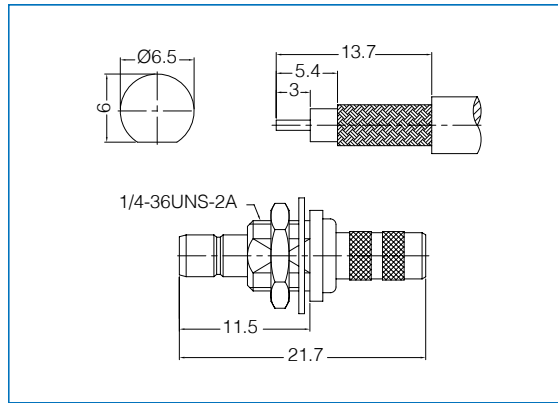


## Bulkhead Jack, Crimp

B5M31A-AXXG01

Cable group : [01](#), [02](#), [04](#), [06](#)

Replace "G" with "N" for Nickel

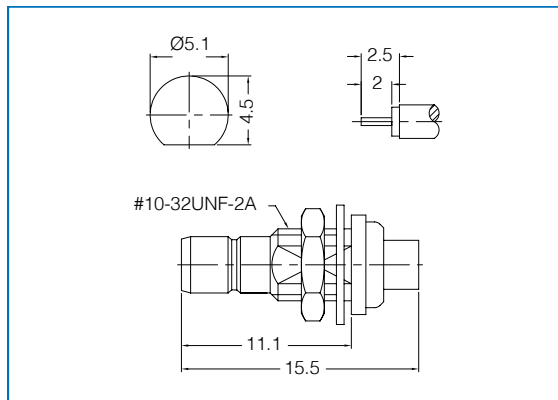


Cable Groups

## 50Ω Bulkhead Jack, Solder

B5M31B-AXXG01

Cable group : [28](#), [29](#), [33](#)

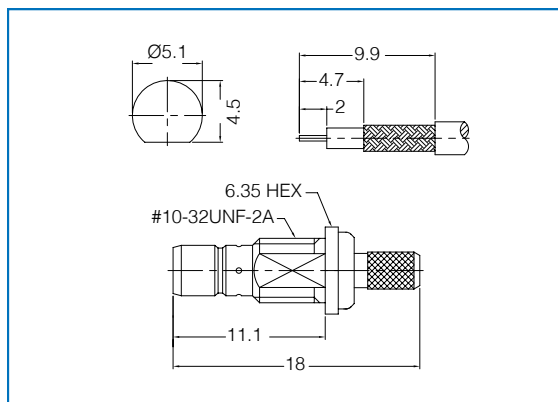


A01 - 50Ω - RG-178, 196	A08 - 50Ω - LMR200	A15 - 75Ω - RG-6	A22 - 75Ω - AT&T 734A	A29 - 50Ω - 141SR, RG-402U	A37 - 75Ω - FLEX 5
A02 - 50Ω - RG-174, 188A, 316, LMR100	A09 - 50Ω - RG-59U Plenum	A16 - 50Ω - 8X, LMR240	A23 - 75Ω - AT&T 735A	A30 - 50Ω - 1.13mm OD micro	A38 - 50Ω - 3D-2V
A03 - 75Ω - RG-179, 187	A10 - 75Ω - RG-59, 62	A17 - 50Ω - LMR400, Belden 9913	A24 - 50Ω - LMR600	A31 - 50Ω - 1.32mm OD micro	A39 - 50Ω - 5D-2V
A04 - 50Ω - RD-316U	A11 - 75Ω - Belden 1505A	A18 - 50Ω - RG-8, 9A, 9, 213, 214	A25 - 75Ω - Belden 1695A	A32 - 50Ω - 1.37mm OD micro	A40 - 50Ω - 8D-2V
A05 - 75Ω - RD-179U	A12 - 75Ω - Belden 8281	A19 - 75Ω - RG6U, Quad	A26 - 75Ω - Belden 8218	A33 - 50Ω - 047SR cable	A41 - 50Ω - 5D-FB, LMR300
A06 - 50Ω - RG-58, 58A, 58C, 141, LMR195	A13 - 75Ω - RG-59U Quad Shield	A20 - 75Ω - RG-11	A27 - 75Ω - BT-3002	A34 - 75Ω - FLEX 2	A42 - 50Ω - 1/4" Superflex
A07 - 50Ω - RG-55, 142, 223, 400	A14 - 75Ω - RG-59U Plenum	A21 - 75Ω - Belden 1694A	A28 - 50Ω - 0885R, RG-405U	A35 - 75Ω - FLEX 3	A43 - 50Ω - 1/2" Superflex

## Bulkhead Jack, Crimp

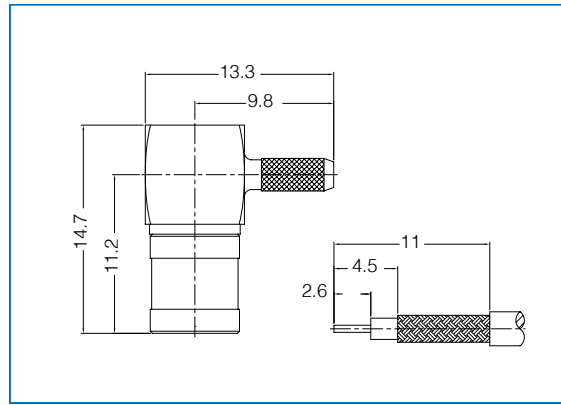
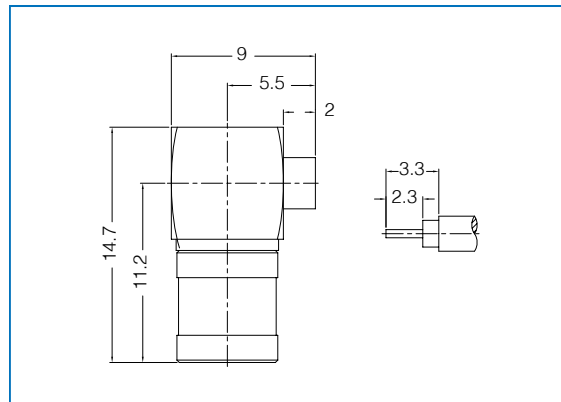
B7M31A-AXXG01

Cable group : [03](#), [05](#)

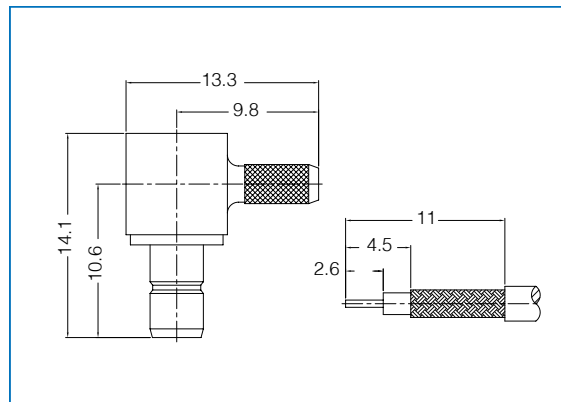
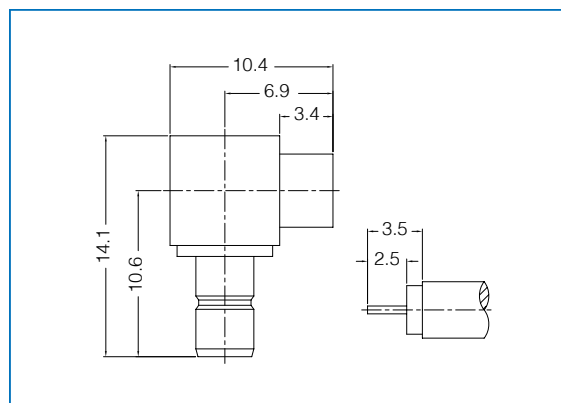


**Right Angle Plug, Crimp****BYF21A-AXXG01**Cable group : [01](#), [02](#), [03](#), [04](#), [05](#), [06](#), [07](#)

Replace "G" with "N" for Nickel

Impedance  $Y = 5 = 50 \text{ Ohm}$  $Y = 7 = 75 \text{ Ohm}$ **Right Angle Plug, Solder****B5F21B-AXXG01**Cable group : [28](#), [29](#), [33](#)**Right Angle Jack, Crimp****BYM21A-AXXG01**Cable group : [01](#), [02](#), [03](#), [04](#), [05](#), [06](#)

Replace "G" with "N" for Nickel

Impedance  $Y = 5 = 50 \text{ Ohm}$  $Y = 7 = 75 \text{ Ohm}$ **Right Angle Jack, Solder****B5M21B-AXXG01**Cable group : [28](#), [29](#), [33](#)

## Right Angle Bkhd Jack, Crimp

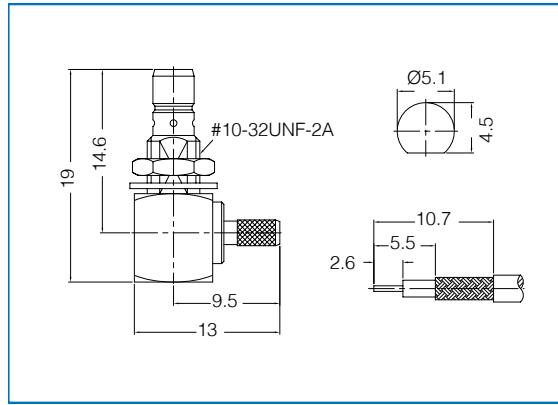
BYF31A-AXXG01

Cable group : [01](#), [02](#), [03](#), [04](#), [05](#), [06](#)

Replace "G" with "N" for Nickel

Impedance Y = 5 = 50 Ohm

Y = 7 = 75 Ohm



### Cable Groups

A01 - 50Ω - RG-178, 198	A08 - 50Ω - LMR200	A15 - 75Ω - RG-6	A22 - 75Ω - AT&T 734A	A29 - 50Ω - 1/4"SR, RG-402U	A37 - 75Ω - FLEX 5
A02 - 50Ω - RG-174, 188A, 316, LMR100	A09 - 50Ω - RG-59U Plenum	A16 - 50Ω - 8X, LMR240	A23 - 75Ω - AT&T 735A	A30 - 50Ω - 1.13mm OD micro	A38 - 50Ω - 3D-2V
A03 - 75Ω - RG-179, 187	A10 - 75Ω - RG-59, 62	A17 - 50Ω - LMR400, Belden 9913	A24 - 50Ω - LMR600	A31 - 50Ω - 1.32mm OD micro	A39 - 50Ω - 5D-2V
A04 - 50Ω - RD-316U	A11 - 75Ω - Belden 1505A	A18 - 50Ω - RG-8, 9A, 9, 213, 214	A25 - 75Ω - Belden 1695A	A32 - 50Ω - 1.37mm OD micro	A40 - 50Ω - 8D-2V
A05 - 75Ω - RD-179U	A12 - 75Ω - Belden 8281	A19 - 75Ω - RG6U, Quad	A26 - 75Ω - Belden 8218	A33 - 50Ω - 047SR cable	A41 - 50Ω - 5D-FB, LMR300
A06 - 50Ω - RG-58, 58A, 58C, 141, LMR195	A13 - 75Ω - RG-59U Quad Shield	A20 - 75Ω - RG-11	A27 - 75Ω - BT-3002	A34 - 75Ω - FLEX 2	A42 - 50Ω - 1/4" Superflex
A07 - 50Ω - RG-55, 142, 223, 400	A14 - 75Ω - RG-59U Plenum	A21 - 75Ω - Belden 1694A	A28 - 50Ω - 0885R, RG-405U	A35 - 75Ω - FLEX 3	A43 - 50Ω - 1/2" Superflex

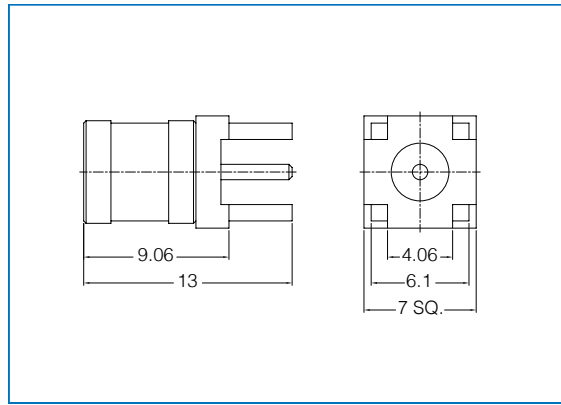
**Straight Plug, PCB Mount**

**BYF11A-TPCG01**

\* Mounting Hole : "B"

Impedance  $Y = 5 = 50 \text{ Ohm}$

$Y = 7 = 75 \text{ Ohm}$



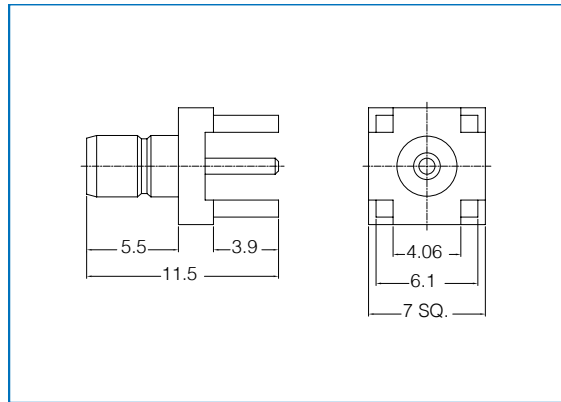
**Straight Jack, PCB Mount**

**BYM11A-TPCG01**

\* Mounting Hole : "B"

Impedance  $Y = 5 = 50 \text{ Ohm}$

$Y = 7 = 75 \text{ Ohm}$



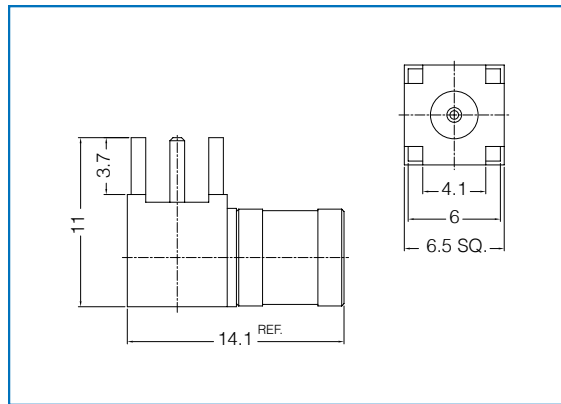
**Right Angle Plug, PCB Mount**

**BYF21A-TPCG01**

\* Mounting Hole : "B"

Impedance  $Y = 5 = 50 \text{ Ohm}$

$Y = 7 = 75 \text{ Ohm}$



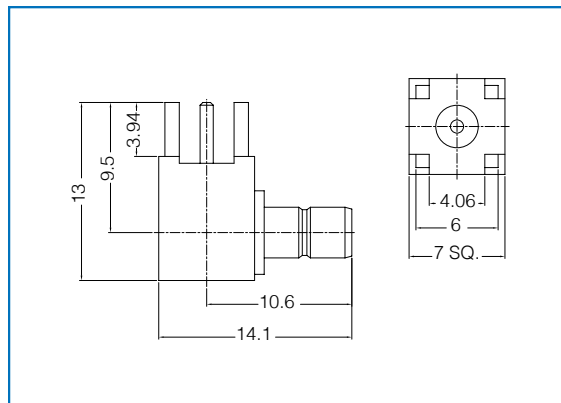
**Right Angle Jack, PCB Mount**

**BYM21A-TPCG01**

\* Mounting Hole : "B"

Impedance  $Y = 5 = 50 \text{ Ohm}$

$Y = 7 = 75 \text{ Ohm}$



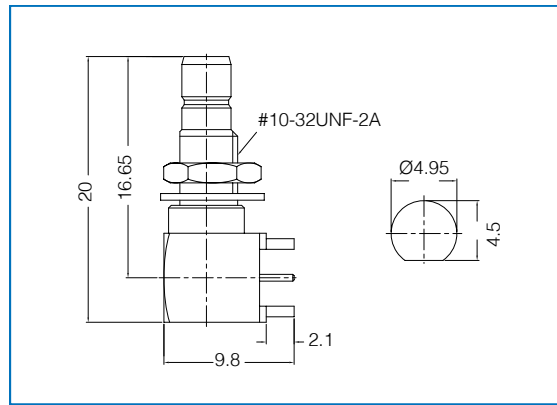
### Right Angle Bulkhead Jack, PCB Mount

BYM32A-TPCG01

\* Mounting Hole : "B"

Impedance    Y = 5 = 50 Ohm

Y = 7 = 75 Ohm



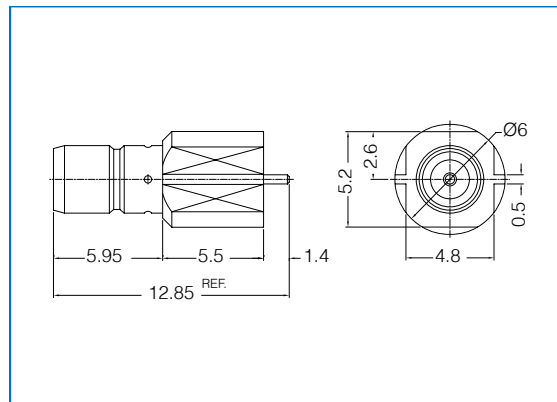
### Straight Jack, Edgecard Mount

BYM11A-EPCG01

\* Mounting Layout : "See Drawing"

Impedance    Y = 5 = 50 Ohm

Y = 7 = 75 Ohm



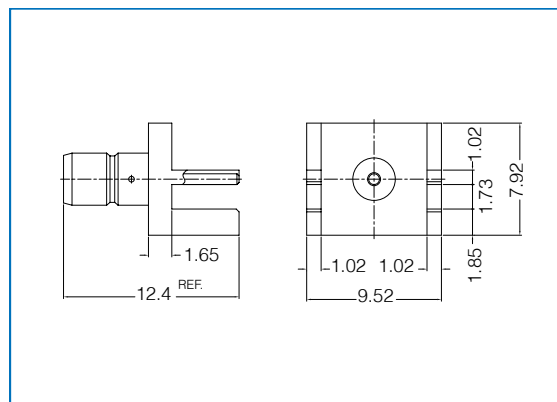
### Straight Jack, End Launch

BYM11B-EPCG01

\* Mounting Layout : "See Drawing"

Impedance    Y = 5 = 50 Ohm

Y = 7 = 75 Ohm



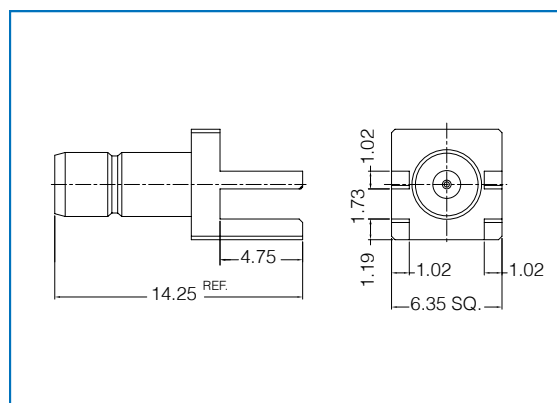
### Straight Jack, End Launch

BYM11C-EPCG01

\* Mounting Layout : "See Drawing"

Impedance    Y = 5 = 50 Ohm

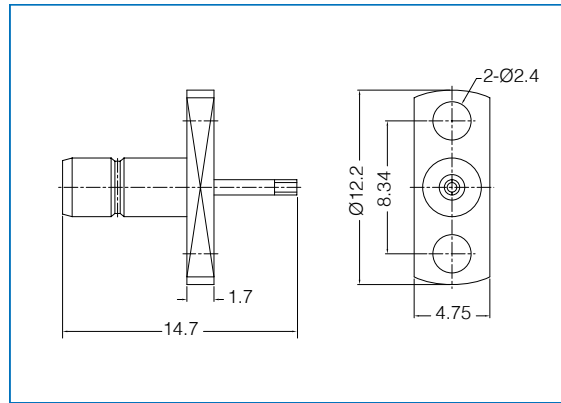
Y = 7 = 75 Ohm



SMB

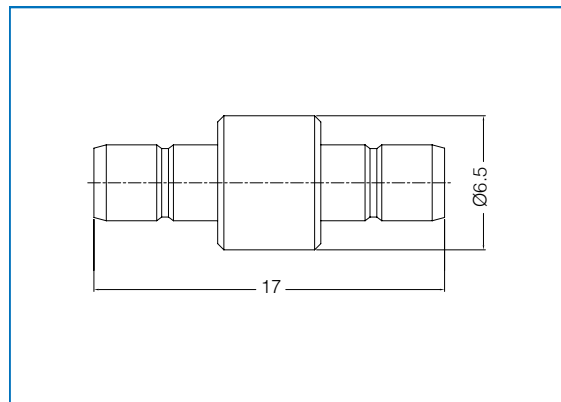
**Panel Mount Receptacle Jack,  
2 Hole Flange**

B5M41A-2HLG01



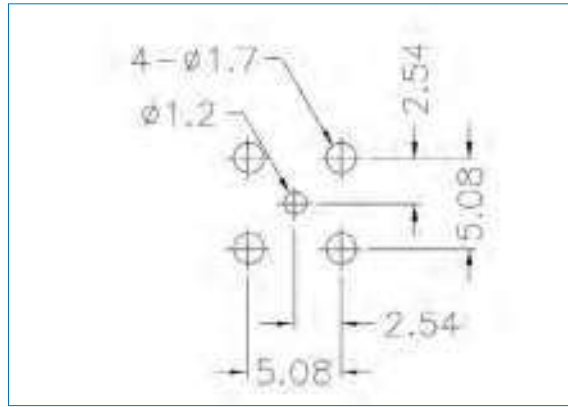
**Jack to Jack Adapter**

B5M11A-ADPG01



PCB Layouts

Layout-B







## 1.0 / 2.3 Series - D5 (50 Ω) / D7 (75 Ω)



1.0 / 2.3

### **FEATURES :**

- Push-Pull coupling locking
- Positive mating locking
- Available for both 50 & 75 Ohm
- Smaller size saves space
- Comply with DIN 41626 Spec

### **APPLICATIONS :**

- European Telecoms
- Base Stations
- Datacom
- Telecom Switching Equipment
- Broadband Networking

**ELECTRICAL SPECIFICATIONS**

<u>Impedance</u>	<u>50 Ω / 75 Ω</u>
<u>Frequency Range</u>	<u>0 – 4 GHz / 0 – 1 GHz</u>
<u>Working Voltage</u>	<u>≥ 250 VRMS</u>
<u>Dielectric Withstanding Voltage</u>	<u>750 VRMS at sea level</u>
<u>VSWR</u>	<u>Straight : 1.15 max</u>
	<u>Right Angle : 1.2 max</u>
<u>Contact Resistance</u>	<u>Center Contact : ≤ 6 mΩ</u>
	<u>Outer Contact : ≤ 3 mΩ</u>
<u>Insulation Resistance</u>	<u>10,000 MΩ min.</u>

**MATERIAL SPECIFICATIONS**

<u>Body</u>	<u>Brass, nickel or gold plated</u>
<u>Outer contacts</u>	<u>Brass, gold plated</u>
<u>Male contact</u>	<u>Brass, gold plated</u>
<u>Female contact</u>	<u>Beryllium Copper, gold plated</u>
<u>Insulator</u>	<u>PTFE</u>
<u>Crimp ferrule</u>	<u>Copper or brass, nickel or gold plated</u>

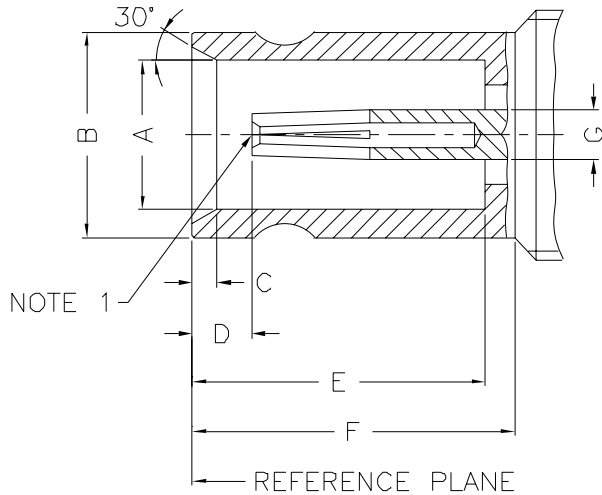
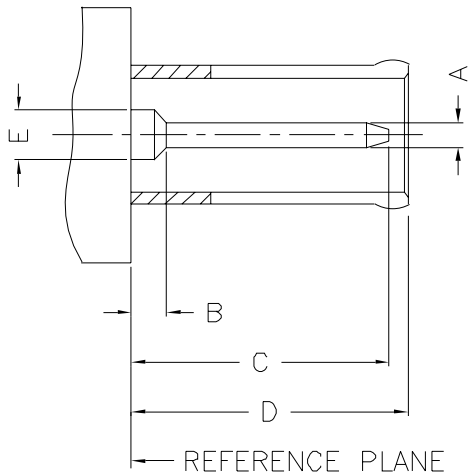
**MECHANICAL SPECIFICATIONS**

<u>Contact Retention</u>	<u>≥ 4 lbs</u>
<u>Engagement Force</u>	<u>≤ 2.3 lbs</u>
<u>Disengagement Force</u>	<u>≥ 2.3 lbs</u>
<u>Durability (matings)</u>	<u>500 cycles min.</u>

**ENVIRONMENTAL**

<u>Temperature Range</u>	<u>-40°C to +155°C</u>
--------------------------	------------------------

## INTERFACE MATING DIMENSIONS



PLUG		
Letter	Millimeters	
	Minimum	Maximum
A	0.48	0.52
B	-	1.15
C	-	5.50
D	5.40	5.70
E	0.98	1.02

JACK		
Letter	Millimeters	
	Minimum	Maximum
A	3.00	3.06
B	4.03	4.15
C	0.50	0.60
D	1.15	-
E	5.80	5.90
F	6.40	6.50
G	0.98	1.02

**Note 1** : I.D. to meet VSWR and contact resistance when mated with 0.48/0.52 mm dia. pin.

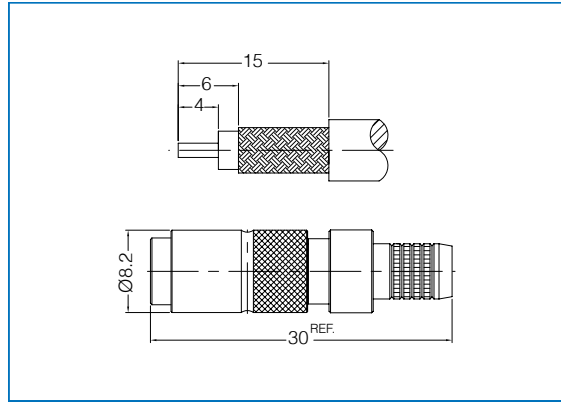
**Crimp Plug, Position Lock**

DYM11A-AXXG01

Cable group : [02](#), [03](#), [05](#), [06](#), [07](#), [16](#),  
[22](#), [23](#)

Impedance  $Y = 5 = 50 \text{ Ohm}$

$Y = 7 = 75 \text{ Ohm}$



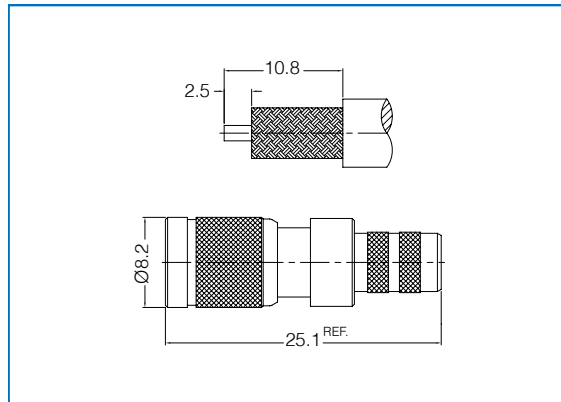
**Crimp Plug, Push-Pull**

DYM12A-AXXG01

Cable group : [02](#), [03](#), [05](#), [06](#), [07](#), [16](#),  
[22](#), [23](#)

Impedance  $Y = 5 = 50 \text{ Ohm}$

$Y = 7 = 75 \text{ Ohm}$



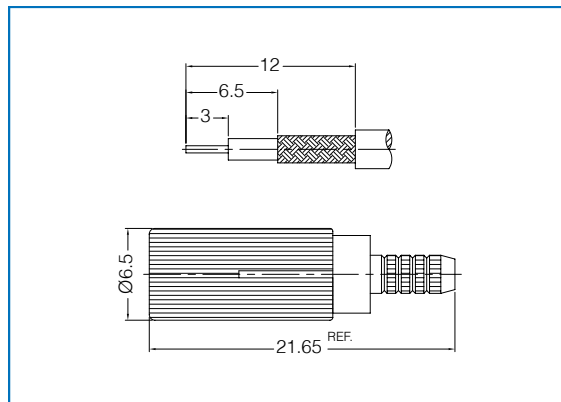
**Crimp Plug, Screw-On**

DYM13A-AXXG01

Cable group : [02](#), [03](#), [05](#), [06](#), [07](#)

Impedance  $Y = 5 = 50 \text{ Ohm}$

$Y = 7 = 75 \text{ Ohm}$



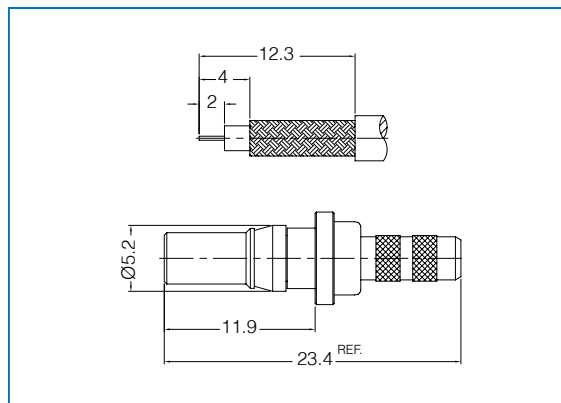
**Crimp Jack**

DYF11A-AXXG01

Cable group : [02](#), [03](#), [05](#), [27](#)

Impedance  $Y = 5 = 50 \text{ Ohm}$

$Y = 7 = 75 \text{ Ohm}$



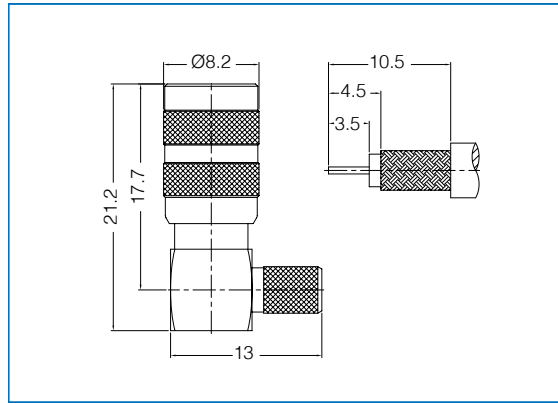
## Right Angle Crimp Plug, Push-Pull

DYM21A-AXXG01

Cable group : 02, 03, 05, 06, 07, 22, 23

Impedance Y = 5 = 50 Ohm

Y = 7 = 75 Ohm



Cable Groups

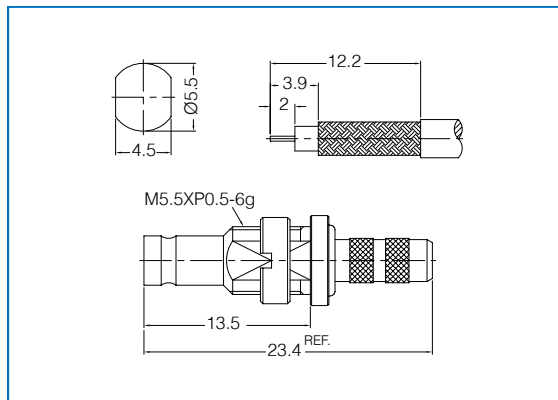
## Bulkhead Crimp Jack

DYF31A-AXXG01

Cable group : 02, 03, 05, 27, 34, 35, 36, 37

Impedance Y = 5 = 50 Ohm

Y = 7 = 75 Ohm



A01 - 500 - RG-178, 198  
A02 - 500 - RG-174, 188A, 316, LMR100  
A03 - 750 - RG-179, 187  
A04 - 500 - RD-316U  
A05 - 750 - RD-179U  
A06 - 500 - RG-58, 58A, 58C, 141, LMR195  
A07 - 500 - RG-55, 142, 223, 400  
A08 - 500 - LMR200  
A09 - 500 - RG-59U Plenum  
A10 - 750 - RG-59, 62  
A11 - 750 - Belden 1505A  
A12 - 750 - Belden 8281  
A13 - 750 - RG-59U Quad Shield  
A14 - 750 - RG-59U Plenum

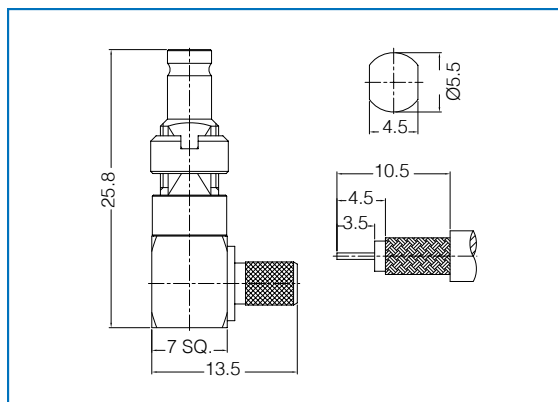
## Right Angle Bulkhead Crimp Jack

DYF32A-AXXG01

Cable group : 02, 03, 05, 27, 34, 35, 36, 37

Impedance Y = 5 = 50 Ohm

Y = 7 = 75 Ohm



A15 - 750 - RG-6  
A16 - 500 - 8X, LMR240  
A17 - 500 - LMR400, Belden 9913  
A18 - 500 - RG-8, 8A, 9, 213, 214  
A19 - 750 - RG6U Quad  
A20 - 750 - RG-11  
A21 - 750 - Belden 1694A  
A22 - 750 - AT&T 734A  
A23 - 750 - AT&T 735A  
A24 - 500 - LMR600  
A25 - 750 - Belden 1695A  
A26 - 750 - Belden 8218  
A27 - 750 - BT-3002  
A28 - 500 - 0885, 0885RF, RG-405U

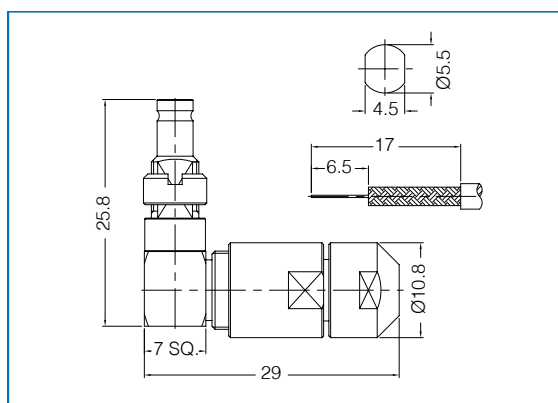
## Right Angle Bulkhead Clamp Jack

DYF33A-AXXG01

Cable group : 02, 03, 05, 27

Impedance Y = 5 = 50 Ohm

Y = 7 = 75 Ohm



A29 - 500 - 141SR, RG-402U  
A30 - 500 - 1.13mm OD micro  
A31 - 500 - 1.32mm OD micro  
A32 - 500 - 1.37mm OD micro  
A33 - 500 - 047SR cable  
A34 - 750 - FLEX 2  
A35 - 750 - FLEX 3  
A37 - 750 - FLEX 5  
A38 - 500 - 30-2V  
A39 - 500 - 5D-2V  
A40 - 500 - 8D-2V  
A41 - 500 - 5D-FB, LMR300  
A42 - 500 - 1/4" Superflex  
A43 - 500 - 1/2" Superflex

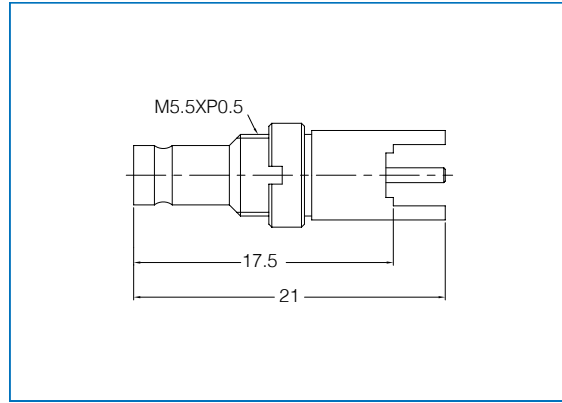
**Straight PCB Jack**

DYF31A-TPCG01

\* Mounting Hole : "V"

Impedance  $Y = 5 = 50 \text{ Ohm}$

$Y = 7 = 75 \text{ Ohm}$



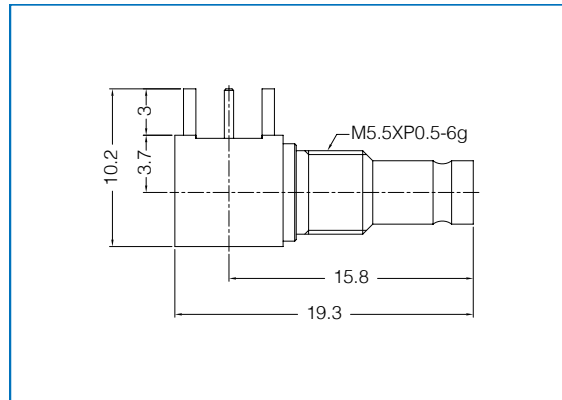
**Right Angle PCB Jack**

DYF21A-TPCG01

\* Mounting Hole : "P"

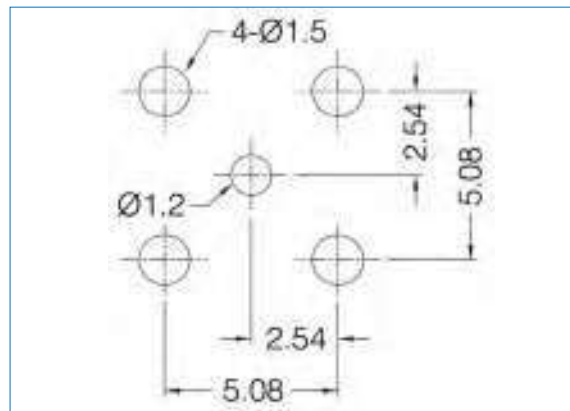
Impedance  $Y = 5 = 50 \text{ Ohm}$

$Y = 7 = 75 \text{ Ohm}$

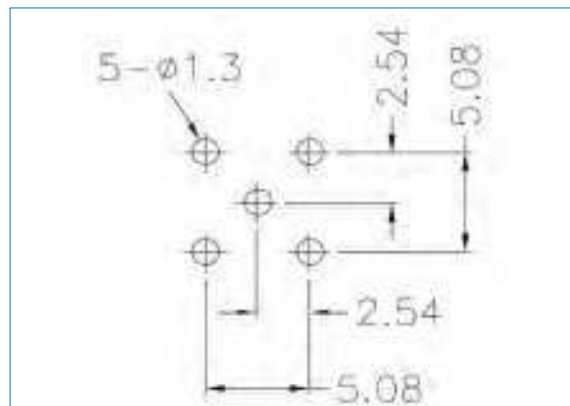


**PCB Layouts**

**Layout-V**



**Layout-P**







## 1.6 / 5.6 Series - DE



### **FEATURES :**

- European design, 75 ohm Interface
- Snap-On Connection
- Threaded coupling mating
- Ideal for data transfer
- Easy connection and disconnection

### **APPLICATIONS :**

- Cable Assemblies
- Broadband systems
- Datacom
- Telecom Base Stations
- Telecom Switching

**ELECTRICAL SPECIFICATIONS**

<u>Impedance</u>	<u>75 <math>\Omega</math></u>
<u>Frequency Range</u>	<u>0 – 1 GHz</u>
<u>Working Voltage</u>	<u><math>\geq</math> 335 VRMS</u>
<u>Dielectric Withstanding Voltage</u>	<u>1000 VRMS at sea level</u>
<u>VSWR</u>	<u>Straight : 1.15 max</u>
	<u>Right Angle : 1.2 max</u>
<u>Contact Resistance</u>	<u>Center Contact : <math>\leq</math> 4 m<math>\Omega</math></u>
	<u>Outer Contact : <math>\leq</math> 2 m<math>\Omega</math></u>
<u>Insulation Resistance</u>	<u>1,000 M<math>\Omega</math> min.</u>

**MATERIAL SPECIFICATIONS**

<u>Body</u>	<u>Brass, nickel or gold plated</u>
<u>Outer contacts</u>	<u>Brass, nickel or gold plated</u>
<u>Male contact</u>	<u>Brass, gold plated</u>
<u>Female contact</u>	<u>Beryllium Copper, gold plated</u>
<u>Insulator</u>	<u>PTFE</u>
<u>Crimp ferrule</u>	<u>Copper or brass, nickel or gold plated</u>

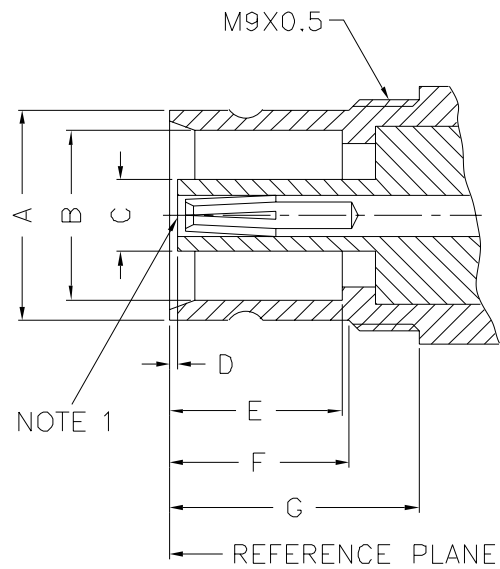
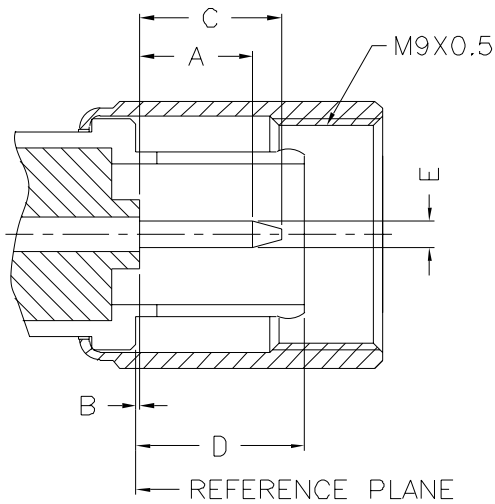
**MECHANICAL SPECIFICATIONS**

<u>Contact Retention</u>	<u><math>\geq</math> 6 lbs</u>
<u>Durability (matings)</u>	<u>500 cycles min.</u>

**ENVIRONMENTAL**

<u>Temperature Range</u>	<u>-40°C to +155°C</u>
--------------------------	------------------------

## INTERFACE MATING DIMENSIONS



PLUG		
Letter	Millimeters	
	Minimum	Maximum
A	3.90	4.30
B	-	0.15
C	-	5.50
D	-	6.60
E	1.00	1.06

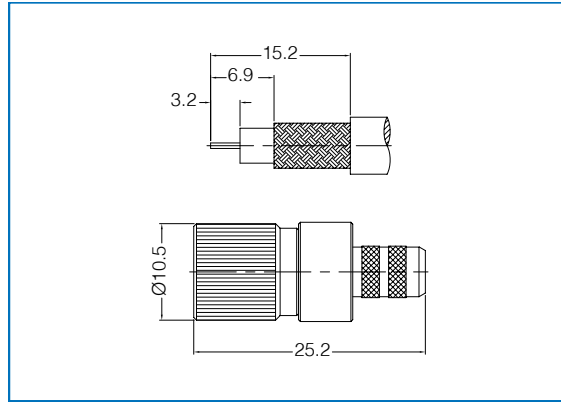
JACK		
Letter	Millimeters	
	Minimum	Maximum
A	8.10	8.25
B	6.60	6.69
C	-	2.80
D	0.25	-
E	6.70	-
F	7.00	7.50
G	9.70	-

**Note 1** : I.D. to meet VSWR and contact resistance when mated with 1.0/1.06 mm dia. pin.

**Crimp Plug**

DEM11A-AXXG01

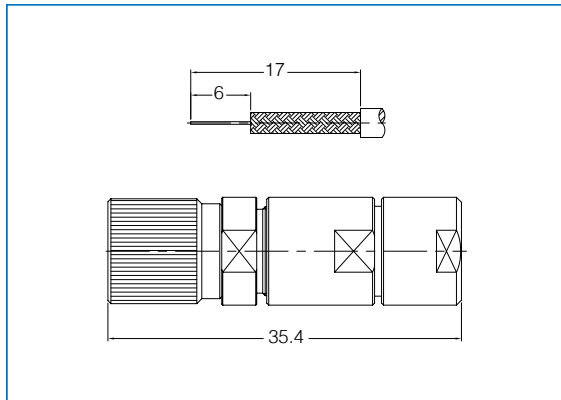
Cable group : 03, 05, 10, 22, 23, 27



**Clamp Plug**

DEM12A-AXXG01

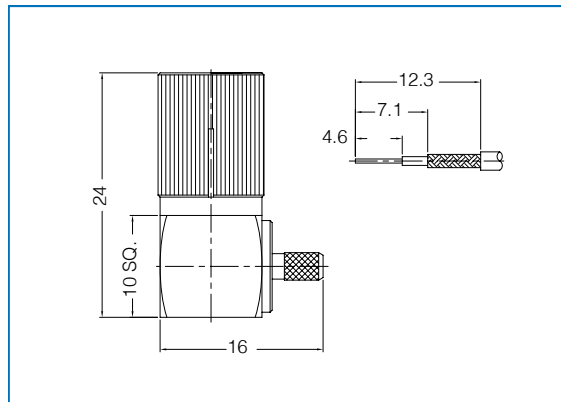
Cable group : 03, 05, 10, 22, 23, 27, 34, 35



**Right Angle Crimp Plug**

DEM21A-AXXG01

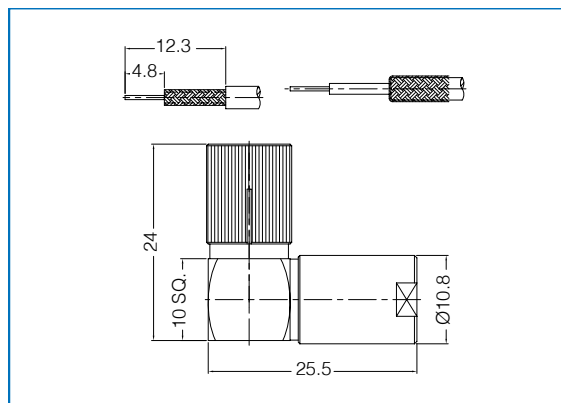
Cable group : 03, 05, 10, 22, 23, 27



**Right Angle Clamp Plug**

DEM22A-AXXG01

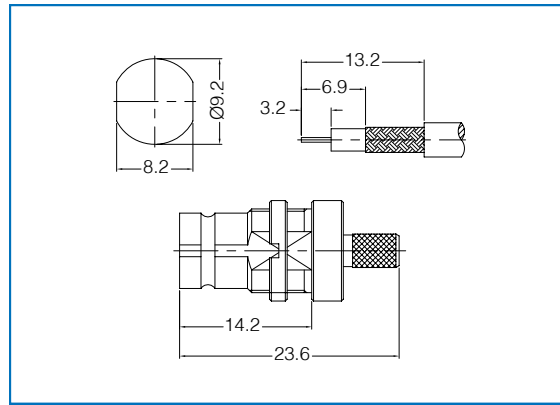
Cable group : 03, 05, 10, 22, 23, 27, 34, 35



## Bulkhead Crimp Jack

DEF11A-AXXG01

Cable group : [03](#), [05](#), [10](#), [22](#), [23](#), [27](#),  
[34](#), [35](#)

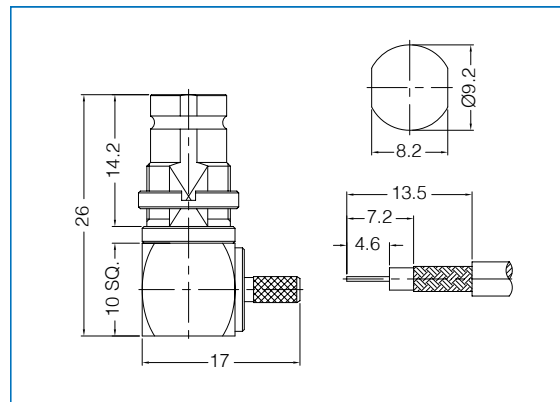


Cable Groups

## Right Angle Bulkhead Crimp Jack

DEF21A-AXXG01

Cable group : [03](#), [05](#), [10](#), [22](#), [23](#), [27](#),  
[34](#), [35](#)

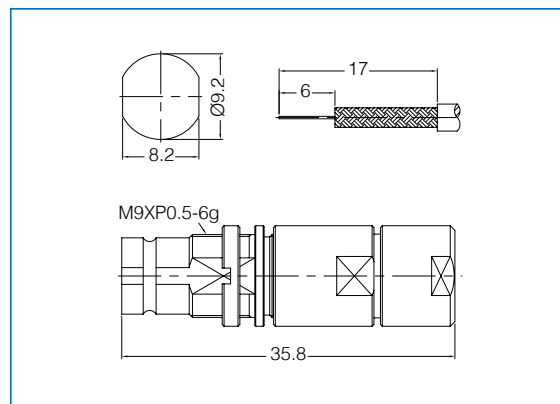


A01 - 500 - RG-178, 198  
A02 - 500 - RG-174, 188A, 316, LMR100  
A03 - 750 - RG-179, 187  
A04 - 500 - RD-316U  
A05 - 750 - RD-179U  
A06 - 500 - RG-58, 58A, 58C, 141, LMR195  
A07 - 500 - RG-55, 142, 223, 400  
A08 - 500 - LMR200  
A09 - 500 - RG-59U Plenum  
A10 - 750 - RG-59, 62  
A11 - 750 - Belden 1505A  
A12 - 750 - Belden 8281  
A13 - 750 - RG-59U Quad Shield  
A14 - 750 - RG-59U Plenum

## Bulkhead Clamp Jack

DEF12A-AXXG01

Cable group : [03](#), [05](#), [10](#), [22](#), [23](#), [27](#),  
[34](#), [35](#)

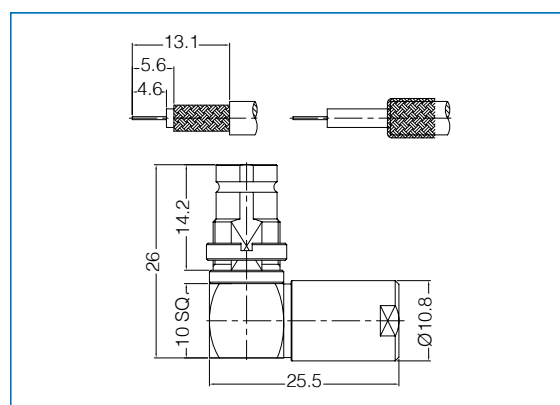


A15 - 750 - RG-6  
A16 - 500 - 8X, LMR240  
A17 - 500 - LMR400, Belden 9913  
A18 - 500 - RG-8, 8A, 9, 213, 214  
A19 - 750 - RG6U, Quad  
A20 - 750 - RG-11  
A21 - 750 - Belden 1694A  
A22 - 750 - AT&T 734A  
A23 - 750 - AT&T 735A  
A24 - 500 - LMR800  
A25 - 750 - Belden 1695A  
A26 - 750 - Belden 8218  
A27 - 750 - BT-3002  
A28 - 500 - 0885, 0885R, RG-405U

## Right Angle Bulkhead Clamp Jack

DEF22A-AXXG01

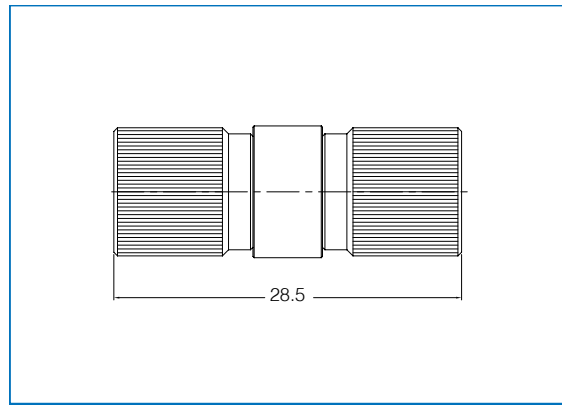
Cable group : [03](#), [05](#), [10](#)



A29 - 500 - 141SR, RG-402U  
A30 - 500 - 1.13mm OD micro  
A31 - 500 - 1.32mm OD micro  
A32 - 500 - 1.37mm OD micro  
A33 - 500 - 047SR cable  
A34 - 750 - FLEX 2  
A35 - 750 - FLEX 3  
A37 - 750 - FLEX 5  
A38 - 500 - 30-2V  
A39 - 500 - 5D-2V  
A40 - 500 - 8D-2V  
A41 - 500 - 5D-FB, LMR300  
A42 - 500 - 1/4" Superflex  
A43 - 500 - 1/2" Superflex

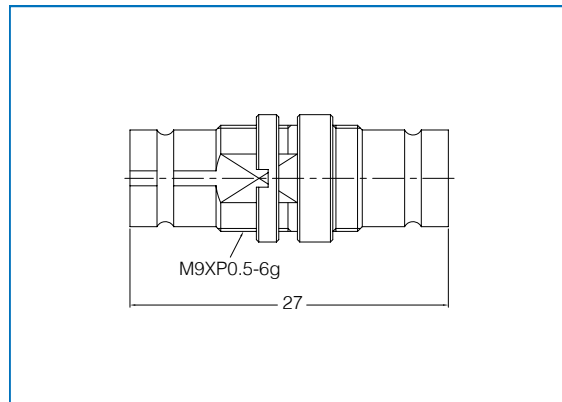
**Plug to Plug Adapter**

DEM11A-ADPG01



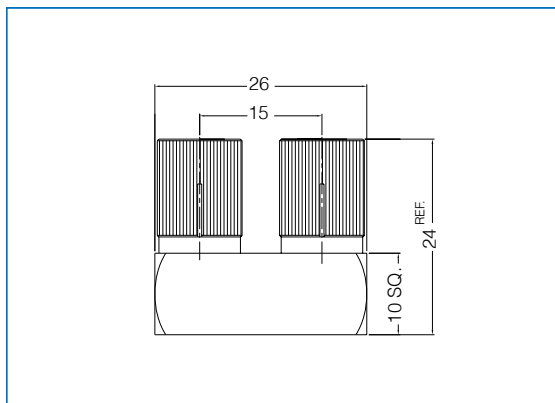
**Jack to Jack Bulkhead Adapter**

DEF11A-ADPG01



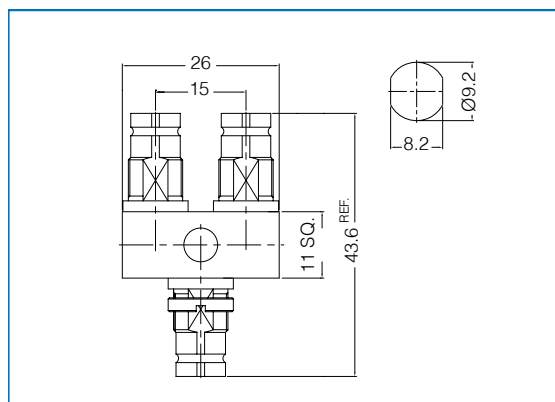
### U-Link Adapter, Plug-Plug

DEM21A-ADPG01



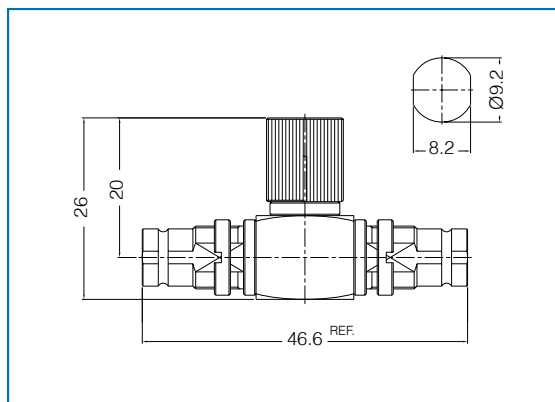
### Y-Link Adapter, Jack-Jack-Jack

DEF51A-ADPG01



### “T” Adapter, Jack-Plug-Jack

DEA52A-ADPG01







## SMZ ( BT43 ) Series - BT



### **FEATURES :**

- Snap-on / quick disconnect mating
- Latching Options available
- High Density versions available
- Also Ultra High Density

### **APPLICATIONS :**

- Telecom Switching Systems
- Computer
- Video & Broadband
- UK style Telecom Systems

SMZ/BT43

**ELECTRICAL SPECIFICATIONS**

<u>Impedance</u>	<u>75 <math>\Omega</math></u>
<u>Frequency Range</u>	<u>0 – 3 GHz</u>
<u>Working Voltage</u>	<u><math>\geq</math> 500 VRMS</u>
<u>Dielectric Withstanding Voltage</u>	<u>1500 VRMS at sea level</u>
<u>VSWR</u>	<u>Straight : 1.15 max</u>
	<u>Right Angle : 1.2 max</u>
<u>Contact Resistance</u>	<u>Center Contact : <math>\leq</math> 5 m<math>\Omega</math></u>
	<u>Outer Contact : <math>\leq</math>12 m<math>\Omega</math></u>
<u>Insulation Resistance</u>	<u>5,000 M<math>\Omega</math> min.</u>

**MATERIAL SPECIFICATIONS**

<u>Body and outer contacts</u>	<u>Brass, nickel or gold plated</u>
<u>Male contact</u>	<u>Brass, gold plated</u>
<u>Female contact</u>	<u>Phosphor Bronze, gold plated</u>
<u>Insulator</u>	<u>PTFE</u>
<u>Crimp ferrule</u>	<u>Copper or brass, nickel or gold plated</u>

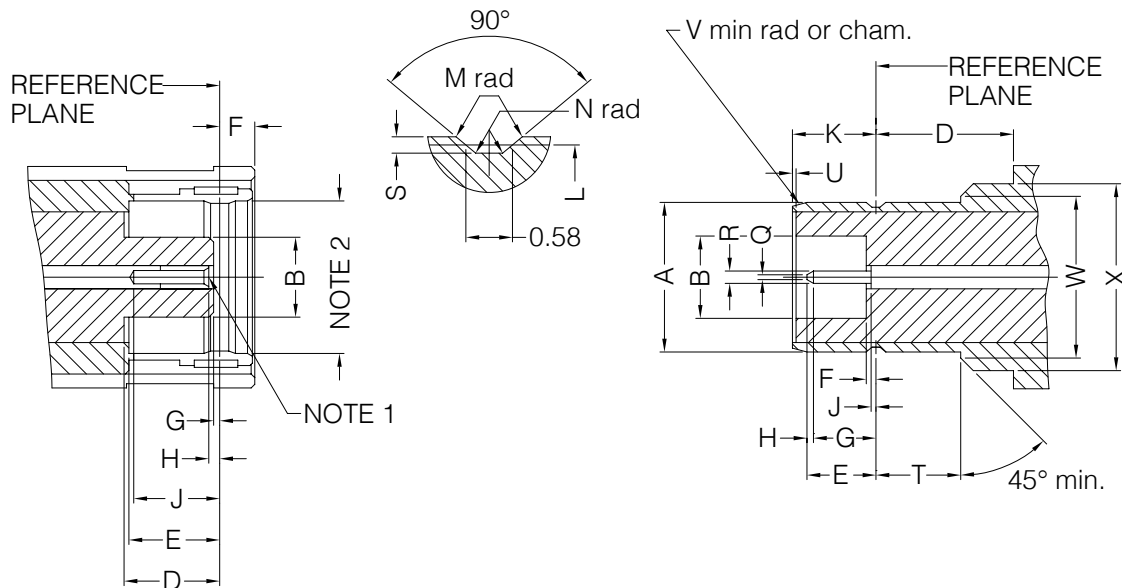
**MECHANICAL SPECIFICATIONS**

<u>Contact Retention</u>	<u><math>\geq</math> 6 lbs</u>
<u>Durability (matings)</u>	<u>500 cycles min.</u>

**ENVIRONMENTAL**

<u>Temperature Range</u>	<u>-65°C to +165°C</u>
--------------------------	------------------------

## INTERFACE MATING DIMENSIONS



PLUG		
Letter	Millimeters	
	Minimum	Maximum
B	-	3.33
D	3.58	-
E	3.58	-
F	-	1.98
G	0.18	-
H	0.18	0.94
J	2.97	-

JACK		
Letter	Millimeters	
	Minimum	Maximum
A	6.20	6.25
B	3.35	-
D	2.36	-
E	-	2.97
F	-	0.18
G	1.32	-
H	0.25	-
J	-	0.18
K	3.33	3.58
L	5.97	6.07
M	0.05	0.15
N	-	0.13
Q	-	0.25
R	0.48	0.53
S	0.15	0.25
T	2.01	-
U	0.00	-
V	0.10	0.20
W	-	6.99
X	-	7.94

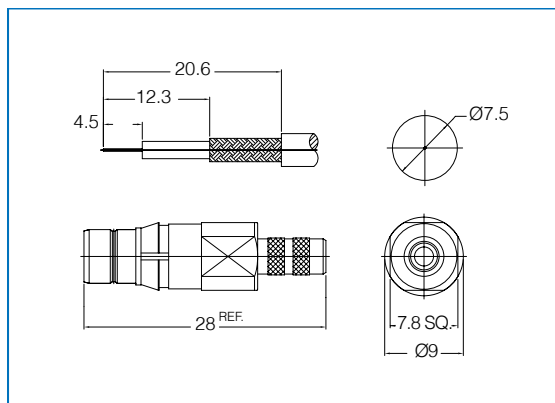
**Note :**

1. I.D. to meet VSWR and Contact resistance when mated with .48/.53 mm dia. pin.
2. Must meet the force to engage and disengage when mated with mating part.

**Crimp Jack**

**BTM11A-AXXG01**

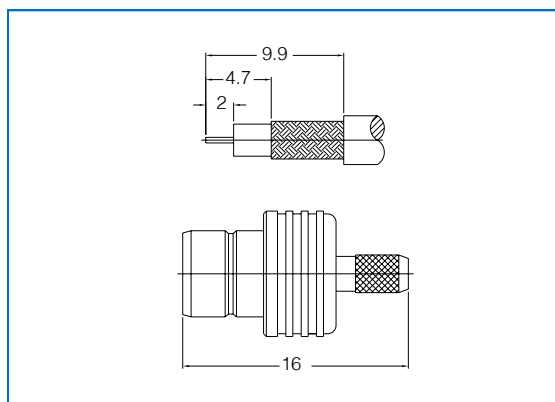
Cable group : 03, 05, 10, 26, 27, 34, 35, 36



**Crimp Jack**

**BTM12A-AXXG01**

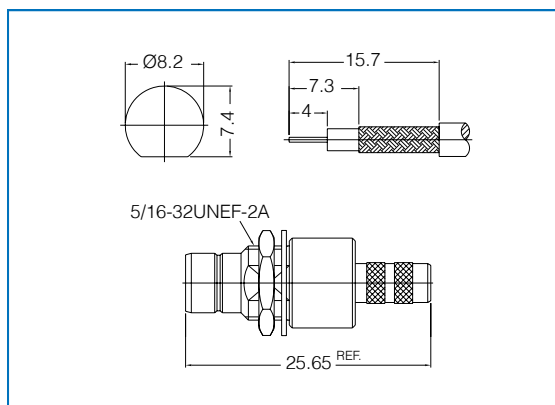
Cable group : 03, 05, 10, 26, 27, 34, 35, 36



**Bulkhead Crimp Jack**

**BTM31A-AXXG01**

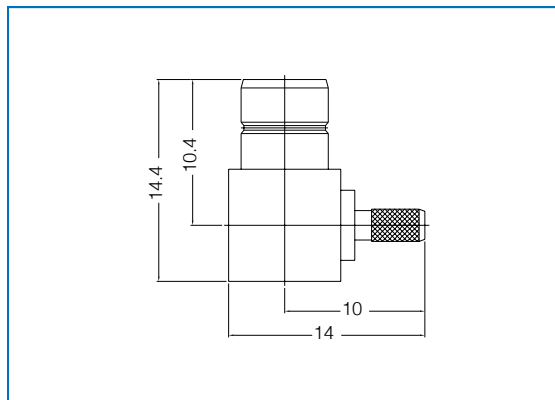
Cable group : 03, 05, 10, 26, 27, 34, 35, 36



**Right Angle Crimp Jack**

**BTM21A-AXXG01**

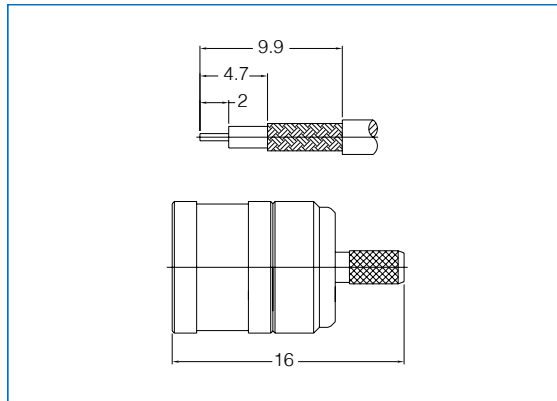
Cable group : 03, 05, 10, 26, 27, 34, 35, 36



## Crimp Plug

BTF11A-AXXG01

Cable group : [03](#), [05](#), [10](#), [26](#), [27](#), [34](#),  
[35](#), [36](#)

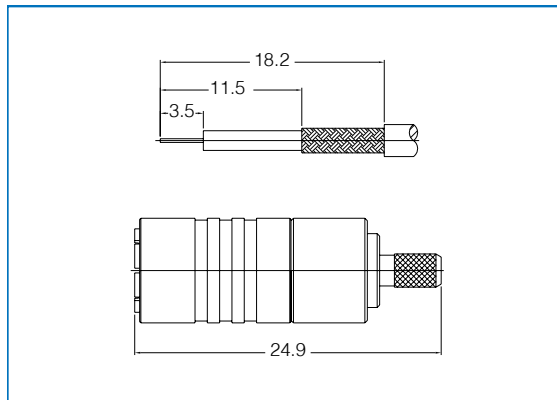


Cable Groups

## Crimp Plug, Position Lock

BTF12A-AXXG01

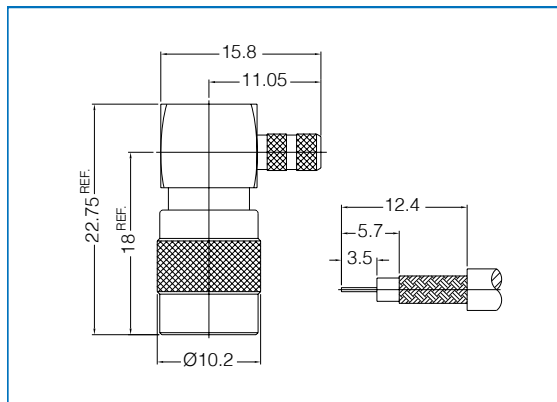
Cable group : [03](#), [05](#), [10](#), [26](#), [27](#), [34](#),  
[35](#), [36](#)



## Right Angle Crimp Plug, Position Lock

BTF21A-AXXG01

Cable group : [03](#), [05](#), [10](#), [26](#), [27](#), [34](#),  
[35](#), [36](#)

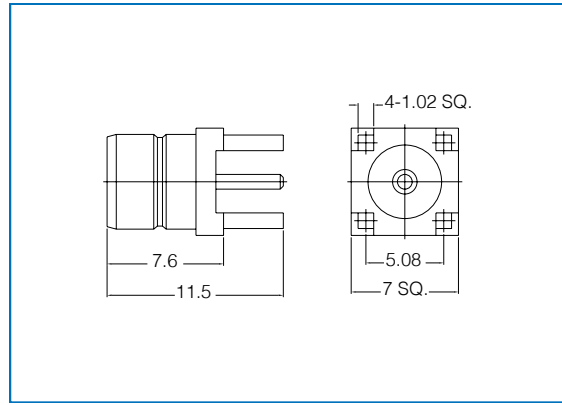


A01 - 50Ω - RG-178, 196	A08 - 50Ω - LMR200	A15 - 75Ω - RG-6	A22 - 75Ω - AT&T 734A	A29 - 50Ω - 141SR - RG-402U	A37 - 75Ω - FLEX 5
A02 - 50Ω - RG-174, 188A, 316, LMR100	A09 - 50Ω - RG-59U Plenum	A16 - 50Ω - 8X - LMR240	A23 - 75Ω - AT&T 735A	A30 - 50Ω - 1.13mm OD micro	A38 - 50Ω - 3D-2V
A03 - 75Ω - RG-179, 187	A10 - 75Ω - RG-59, 62	A17 - 50Ω - LMR400, Belden 9913	A24 - 50Ω - LMR800	A31 - 50Ω - 1.32mm OD micro	A39 - 50Ω - 5P-2V
A04 - 50Ω - RD-316U	A11 - 75Ω - Belden 1505A	A18 - 50Ω - RG-8, 9A, 9, 213, 214	A25 - 75Ω - Belden 1696A	A32 - 50Ω - 1.37mm OD micro	A40 - 50Ω - 8D-2V
A05 - 75Ω - RD-179U	A12 - 75Ω - Belden 8281	A19 - 75Ω - RG6U, Quad	A26 - 75Ω - Belden 8218	A33 - 50Ω - 047SR cable	A41 - 50Ω - 5D-FB, LMR300
A06 - 50Ω - RG-58, 58A, 58C, 141, LMR195	A13 - 75Ω - RG-59U Quad Shield	A20 - 75Ω - RG-11	A27 - 75Ω - BT-3002	A34 - 75Ω - FLEX 2	A42 - 50Ω - 1/4" Superflex
A07 - 50Ω - RG-55, 142, 223, 400	A14 - 75Ω - RG-59U Plenum	A21 - 75Ω - Belden 1694A	A28 - 50Ω - 0885, 0885R, RG-405U	A35 - 75Ω - FLEX 3	A43 - 50Ω - 1/2" Superflex

**PCB Mount Jack**

BTM11A-TPCG01

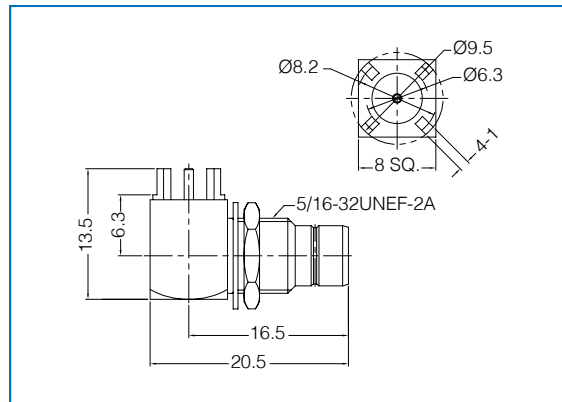
\* Mounting hole : "B"



**Right Angle PCB Mount Jack**

BTM21A-TPCG01

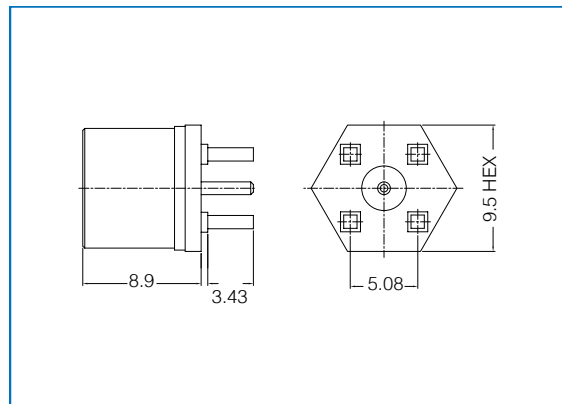
\* Mounting hole : "B"



**PCB Mount Plug**

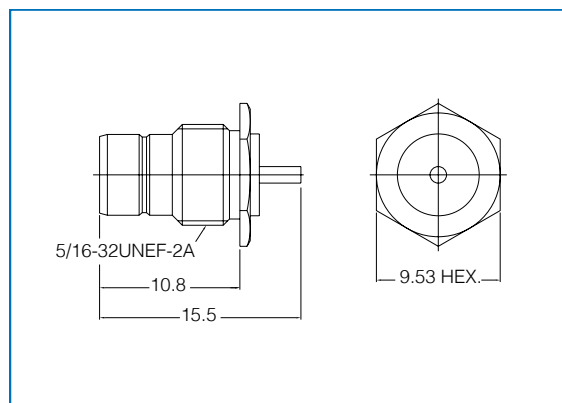
BTF11A-TPCG01

\* Mounting hole : "B"

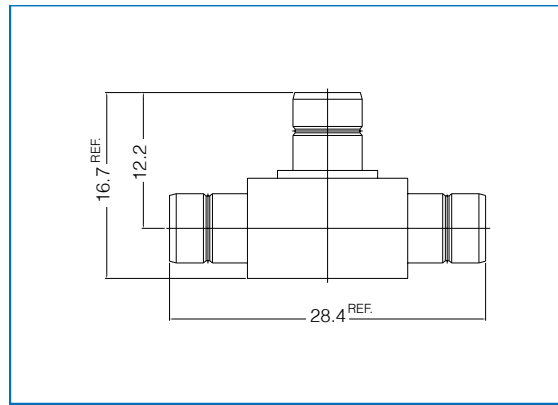


**Bulkhead Receptacle Jack**

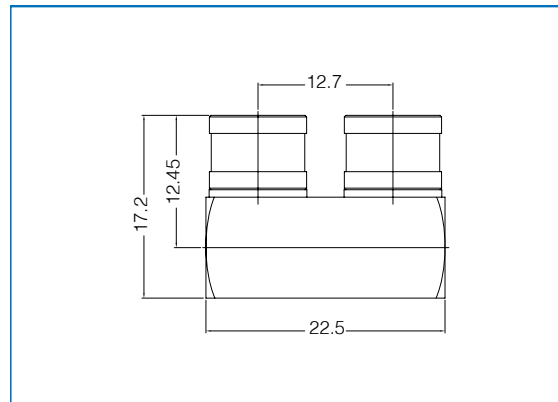
BTM31A-RECG01



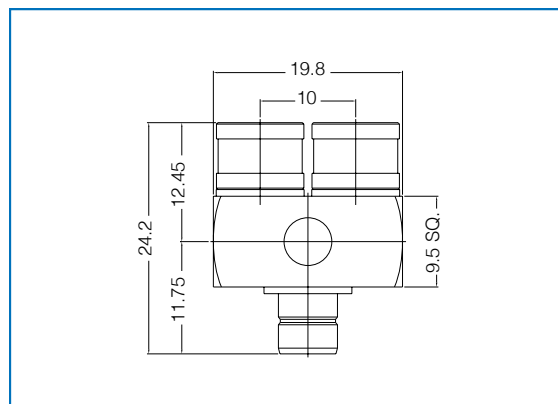
**“T” Adapter,  
Jack-Jack-Jack**  
BTM51A-ADPG01



**U-Link Adapter,  
Plug-Plug**  
BTF22A-ADPG01



**Y-Link Adapter,  
Plug-Jack-Plug**  
BTA51A-ADPG01



**PCB Layouts**

**Layout-B**

