

# MPE-CAN2

## Features

- Supports CANBus 2.0A and 2.0B Specifications with 11-bits and 29bits Data Frames
- Up to 1M bits Baud Rate
- Support high layer protocol as SAE J1939 / OBDII / J1708 / TTCAN (Optional)
- Complies with EN61000-4-5 2.5kV Surge protection
- Complies with IEC 60950-1:2005 + A1: 2009 + A2:2013 2.5kV HiPOT protection
- Extra mounting hole and USB Interface for non-minipcie installation (Optional)
- -40°C to 85°C Operation Temperature

## Specifications

### INTERFACE

- Mini-PCiE or USB (Optional)

### IO PORTS

- One DB9 connector includes Dual CAN Bus and One J1708 ports

### TEMPERATURE

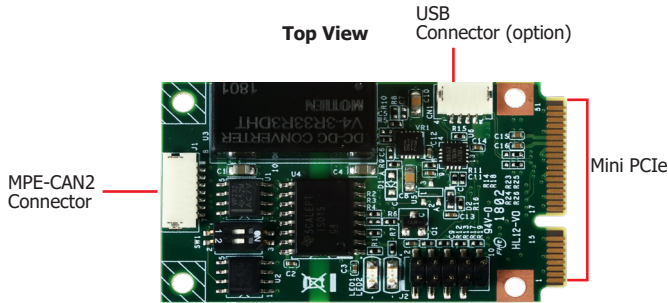
- Operating: -40°C to 85°C
- Storage: -40°C to 85°C

### HUMIDITY

- Operating: 10% to 85%
- Storage: 10% to 90%

### DIMENSIONS

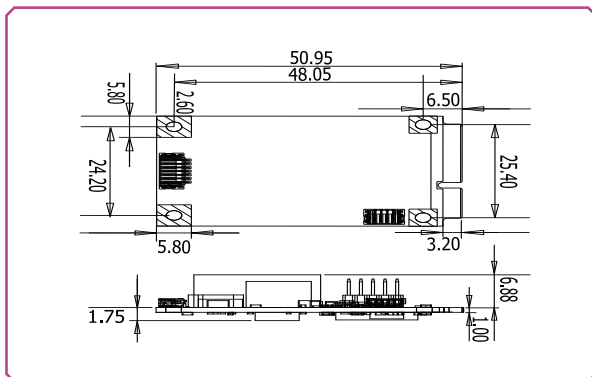
- 50.59mm x 30mm (1.99" x 1.18")



## Ordering Information

Model Name	P/N	Description
MPE-CAN2-MR	770-MPEC21-000G	MPE-CAN2 Mini-PCiE RAW CAN Module Card Assy. RoHS
MPE-CAN2-MR	770-MPEC21-100G	MPE-CAN2 Mini-PCiE Full CAN Module Card Assy. RoHS
MPE-CAN2-UR	770-MPEC21-200G	MPE-CAN2 USB RAW CAN Module Card Assy. RoHS
MPE-CAN2-UF	770-MPEC21-300G	MPE-CAN2 USB Full CAN Module Card Assy. RoHS
MPE-CAN2-MRV	770-MPEC21-400G	MPE-CAN2 Mini-PCiE RAW CAN Module Card Assy. For VC230, RoHS
MPE-CAN2-MFV	770-MPEC21-500G	MPE-CAN2 Mini-PCiE Full CAN Module Card Assy. For VC230, RoHS

## Mechanical Drawing



MPE-CAN2 Connector Pin Define		USB Connector Pin Define	
1	CAN1-L	1	USB5V
2	CAN1-H	2	D-
3	CAN2-L	3	D+
4	CAN2-H	4	GND
5	J1708-L		
6	J1708-H		
7	GND		

## (Cable)

CAN DB9 Connector Pin Define	
1	CAN1-L
2	CAN1-H
3	CAN2-L
4	CAN2-H
5	GND
6	J1708-L
7	J1708-H
8	NC
9	NC