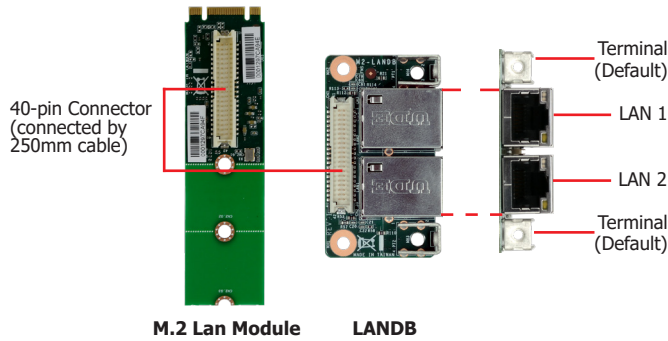
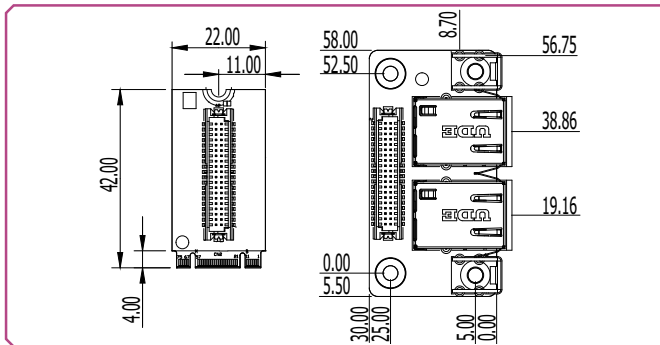


M.2-1LAN/2LAN



*The photo above refers to M.2-2LAN.

Mechanical Drawing



Ordering Information

Module Name	P/N	RJ45
M.2-1LAN	770-M21LN1-000G	1
M.2-2LAN	770-M22LN1-000G	2

Features

PORT	1 RJ45/2 RJ45
INTERFACE	PCIe x1
FORM FACTOR	M.2 B-M key 22mm x 42mm (0.87" x 1.65")

Specifications

I/O CONNECTORS

- M.2-1LAN: 1 connector for 1 external LAN port
- M.2-2LAN: 2 connectors for 2 external LAN ports

Mounting

- Terminal (Default)
- Bracket (Optional)

APPLIED MODELS

- All DFI systems and boards with M.2 interface.

TEMPERATURE

- Operating: 0°C to 70°C
- Storage: -40°C to 85°C

HUMIDITY

- 5% to 90%

DIMENSIONS

- M.2 B-M key 22mm x 42mm (0.87" x 1.65")



Packing List

• 1 M.2-LAN module	
• 1 M.2 LANDB module	
• 1 cable (Length: 250mm)	A81-009348-016G