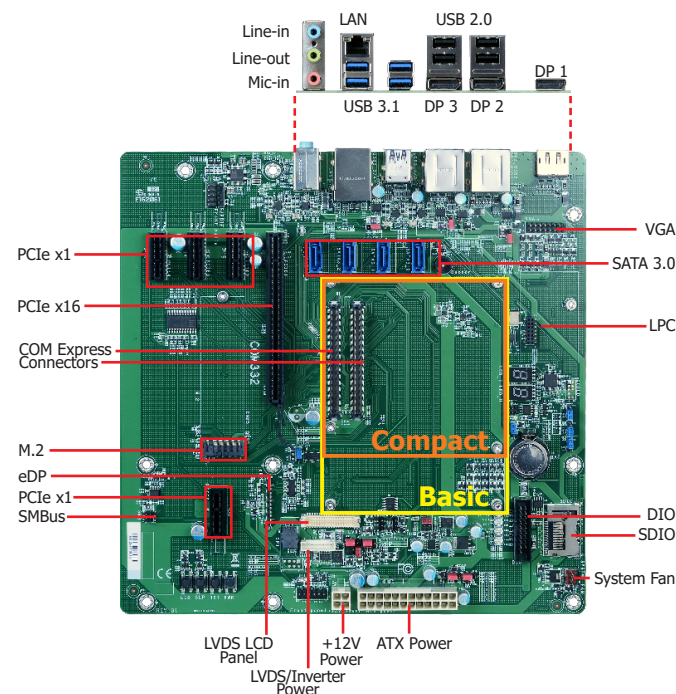


# COM332-B (R.B1)

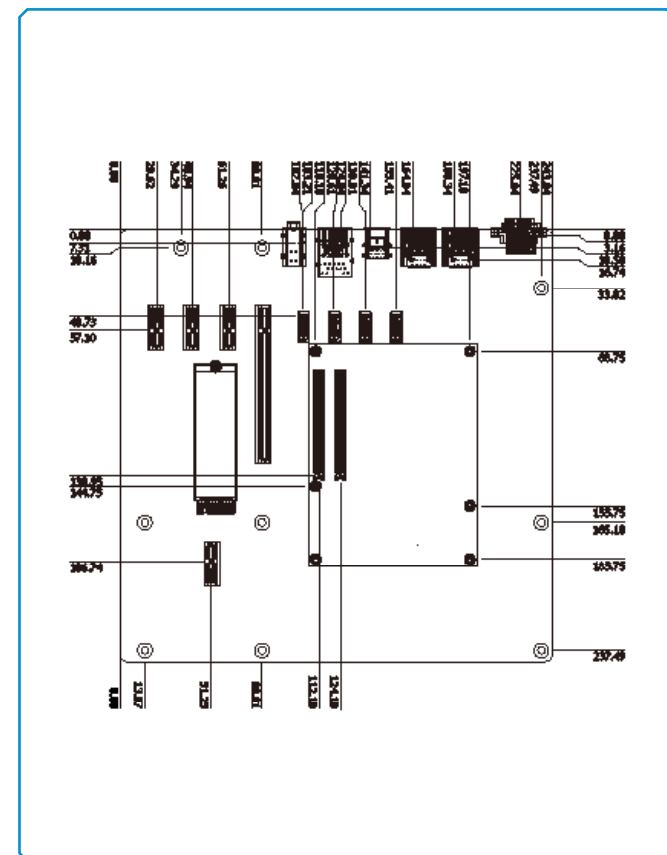


## Features

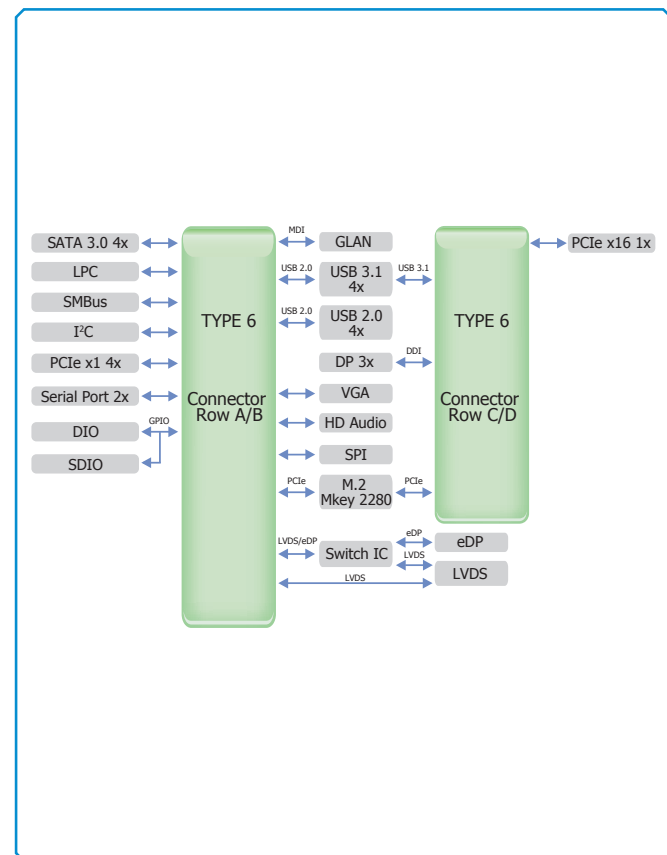
- COM Express® R2.1, Pin-out Type 6
- Supports Compact and Basic modules
- Multiple displays: VGA, LVDS, DP, eDP
- Rich I/O: 1 GbE, 4 USB 3.1, 4 USB 2.0
- microATX form factor



## Mechanical Drawing



## Block Diagram



## Specifications

<b>GRAPHICS</b>	<b>Display</b>	1 x VGA 1 x LVDS/eDP (eDP available upon request) 3 x DP 1 x eDP/LVDS (LVDS available upon request)
<b>EXPANSION</b>	<b>Interface</b>	1 x PCIe x16 4 x PCIe x1 1 x M.2 M Key 2280 1 x SDIO
<b>AUDIO</b>	<b>Audio Codec</b>	Realtek ALC888S-VD2-GR
<b>REAR I/O</b>	<b>Ethernet</b>	1 x GbE (RJ-45)
	<b>USB</b>	4 x USB 3.1 (Gen2) 4 x USB 2.0
	<b>Display</b>	3 x DP
<b>INTERNAL I/O</b>	<b>Audio</b>	1 x Line-in 1 x Line-out 1 x Mic-in
	<b>Serial</b>	2 x Serial Interface Connector (TX/RX)
	<b>Display</b>	1 x VGA (2.54mm) 1 x LVDS LCD Panel Connector 1 x LCD/Inverter Power 1 x eDP LCD Panel Connector
	<b>Audio</b>	1 x Audio (Line-out/Mic-in) 1 x S/PDIF
	<b>SATA</b>	4 x SATA 3.0 (up to 6Gb/s)
	<b>DIO</b>	1 x 8-bit DIO
	<b>LPC</b>	1 x LPC
	<b>SMBus</b>	1 x SMBus
<b>POWER</b>	<b>Type</b>	12V, 5VSB, VCC_RTC (ATX mode)      12V, VCC_RTC (AT mode)
	<b>Connector</b>	4-pin ATX 12V power      24-pin ATX power
	<b>RTC Battery</b>	CR2032 Coin Cell
<b>ENVIRONMENT</b>	<b>Temperature</b>	Operating: 0 to 60°C      Storage: -40 to 85°C
	<b>Humidity</b>	Operating: 5 to 90% RH      Storage: 5 to 90% RH
	<b>MTBF</b>	488,117 hrs @ 25°C; 253,684 hrs @ 45°C; 136,621 hrs @ 60°C Calculation Model: Telcordia Issue 2, Method Case 3 Environment: GB, GC – Ground Benign, Controlled
	<b>MECHANICAL</b>	<b>Dimensions</b>
<b>CERTIFICATIONS</b>	<b>Compliance</b>	PICMG COM Express® R2.1, Type 6      Basic, Compact Modules CE, FCC, RoHS

## Ordering Information

Model Name	P/N	GbE	USB 3.1	USB 2.0	Power	Thermal	Temp.
COM332-B (R.B1)	770-CM3322-000G	1	4	4	ATX/AT	Active	0 to 60°C

## Packing List

• 1 COM332-B (R.B1) board	
• 1 Serial ATA data cable (Length: 500mm)	332-553001-005G
• 1 VGA cable	A81-012000-000G

## Optional Items

• Serial ATA data cable (Length: 500mm)	332-553001-005G
• LPC EXT-RS232 module (4 x RS232 ports)	770-EXTRS1-000G
• LPC EXT-RS485 module (4 x RS485 ports)	770-EXTRS1-100G
• I/O shield	A49-COM332-010G